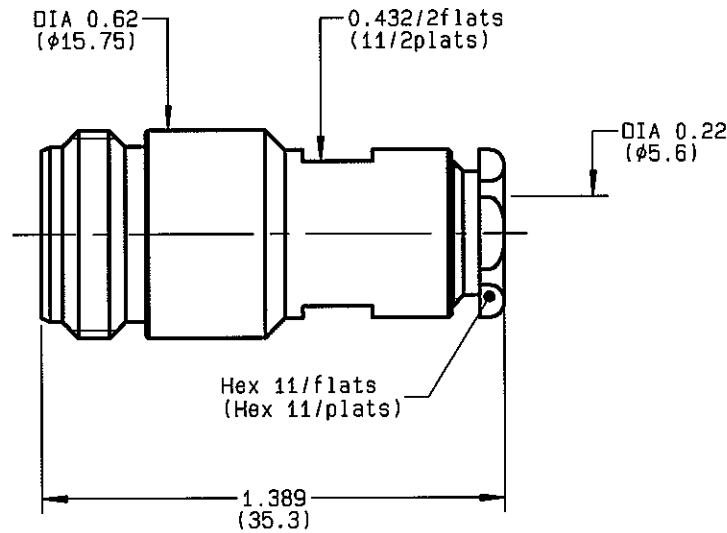


| | |
|----------------------------------------------------|---------------------------------|
| STRAIGHT JACK CLAMP TYPE CABLE 5/50 S+D | R161.206.000 SERIES N |
|----------------------------------------------------|---------------------------------|



| | |
|---------------------------------|----------------------------------|
| NOMINAL IMPEDANCE | 50 Ω |
| FREQUENCY RANGE | 0-11 GHz |
| TEMPERATURE RATING | -55/+155 °C |
| V.S.W.R | 1.30 + x F(GHz)Maxi |
| RF INSERTION LOSS | 0.048 √F(GHz) dB Maxi |
| VOLTAGE RATING | 850 Veff Maxi |
| DIELECTRIC WITHSTANDING VOLTAGE | 1500 Veff Mini |
| INSULATION RESISTANCE | 5000 MΩMini |
| HERMETIC SEAL | NA Atm.cm ³ /s |
| LEAKAGE (pressurized only) | NA |
| MECHANICAL DURABILITY | 500 Cycles |
| WEIGHT | 30.4 gr |
| SPECIFICATION | |

- CABLES :
- KX 15**
 - KX 23**
 - RG 141**
 - RG 142**
 - RG 142 FTX**
 - RG 223**
 - RG 400**
 - RG 58**

OTHERS CHARACTERISTICS

| | |
|----------------------------|---------------------|
| CABLE RETENTION | 150 N Mini |
| CENTER CONTACT RETENTION | |
| Axial force - mating end | 27 N Mini |
| Axial force - opposite end | 27 N Mini |
| Torque | NA cm.N Mini |
| RECOMMENDED TORQUES | |
| Mating | NA cm.N |
| Panel nut | NA cm.N |
| Clamp nut | 450 cm.N |

| CONNECTOR PARTS: | MATERIALS | FINISH | (all values are given) in micrometers |
|------------------|------------------|------------------------|-------------------------------------------|
| BODY | BRASS | BBR 2 | |
| OUTER CONTACT | BRASS | BBR 2 | |
| CENTER CONTACT | BERYLLIUM COPPER | GOLD 0.5 OVER NICKEL 2 | |
| INSULATOR | PTFE | - | |
| GASKET | | - | |
| OTHERS PIECES | BRASS | BBR 2 | |

BONDMINI

| | | |
|------------------------|------------------------------------|--------------------------------------|
| ISSUE 0518 U | CREATION DATE 15/10/1992 | FILE PART-NUMBER EPC 96-07 |
|------------------------|------------------------------------|--------------------------------------|

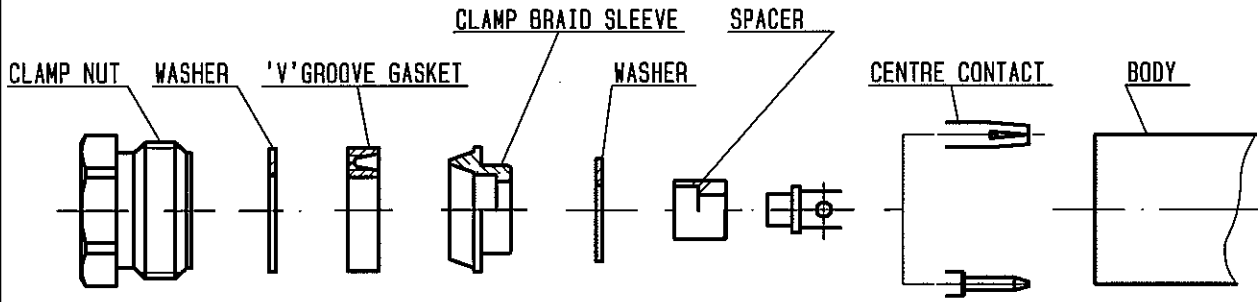


The information given here is subject to change without notice.
Design changes may be in order to improve the product .

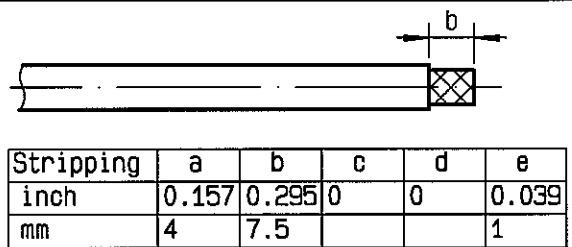
Connect to the future



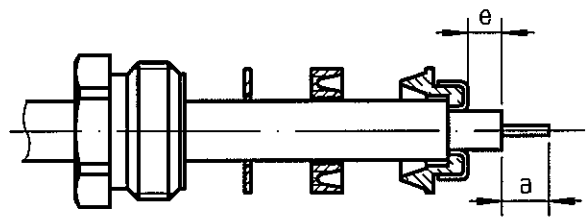
R161.206.000
 ISSUE 0518U
 SERIES N



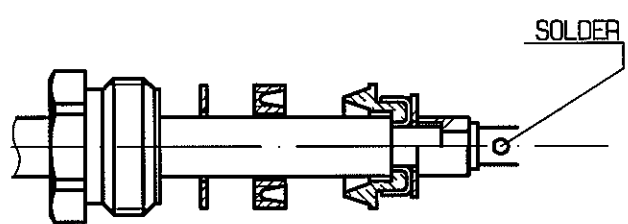
① Strip the cable .
 -
 -
 -
 -



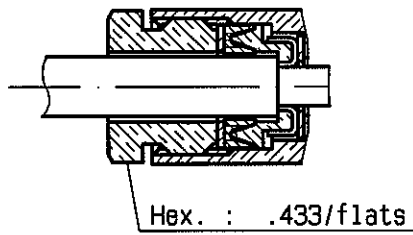
② Slide the clamp nut , the washer and the 'V'groove gasket onto the cable .
 Slide clamp braid sleeve over braid .
 Fold back braid and trim off surplus braid .
 Trim back dielectric as shown .
 -



③ Slide the washer and the spacer onto the dielectric .
 Solder the cable inner conductor into centre contact .
 -
 -



④ Screw sub-assembly into the connector body .
 (recommended coupling torque 39.83 in.lb)
 -
 -



BONOMINI