

8-1437021-1 ✓ ACTIVE

## AMP-LATCH

TE Internal #: 8-1437021-1

TE Internal Description: 609-5031HD=FSKT IDC S 50 SR

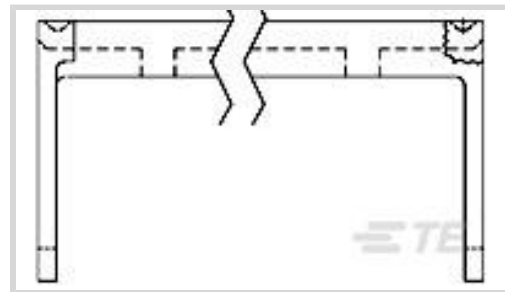
Female Socket Connectors: Strain Relief

[View on TE.com >](#)



[Connectors >](#) [PCB Connectors >](#) [Wire-to-Board Connectors >](#) [FFC, FPC & Ribbon Connectors >](#) [Ribbon Connector Accessories >](#)

[Female Socket Connectors: Strain Relief](#)



Flat Flexible Cable Accessory Type: **Strain Relief Cover**

Number of Positions: **50**

[All Female Socket Connectors: Strain Relief \(14\)](#)

## Features

### Product Type Features

Flat Flexible Cable Accessory Type	Strain Relief Cover
------------------------------------	---------------------

### Configuration Features

Number of Positions	50
---------------------	----

### Body Features

Primary Product Material	Glass-Filled Thermoplastic
--------------------------	----------------------------

Primary Product Color	Blue
-----------------------	------

### Dimensions

Product Length	68.17 mm
----------------	----------

### Industry Standards

UL Flammability Rating	UL 94V-0
------------------------	----------

### Packaging Features

Packaging Quantity	50
--------------------	----

Packaging Method	Package
------------------	---------

### Other

Connector Accessory Comment	Female Socket Connector
-----------------------------	-------------------------

## Product Compliance

[For compliance documentation, visit the product page on TE.com>](#)

EU RoHS Directive 2011/65/EU	Compliant
EU ELV Directive 2000/53/EC	Compliant
China RoHS 2 Directive MIIT Order No 32, 2016	No Restricted Materials Above Threshold
EU REACH Regulation (EC) No. 1907/2006	Current ECHA Candidate List: JUNE 2023 (235) Candidate List Declared Against: JUNE 2023 (235) Does not contain REACH SVHC
Halogen Content	Not Low Halogen - contains Br or Cl > 900 ppm.
Solder Process Capability	Not applicable for solder process capability

Product Compliance Disclaimer

This information is provided based on reasonable inquiry of our suppliers and represents our current actual knowledge based on the information they provided. This information is subject to change. The part numbers that TE has identified as EU RoHS compliant have a maximum concentration of 0.1% by weight in homogenous materials for lead, hexavalent chromium, mercury, PBB, PBDE, DBP, BBP, DEHP, DIBP, and 0.01% for cadmium, or qualify for an exemption to these limits as defined in the Annexes of Directive 2011/65/EU (RoHS2). Finished electrical and electronic equipment products will be CE marked as required by Directive 2011/65/EU. Components may not be CE marked. Additionally, the part numbers that TE has identified as EU ELV compliant have a maximum concentration of 0.1% by weight in homogenous materials for lead, hexavalent chromium, and mercury, and 0.01% for cadmium, or qualify for an exemption to these limits as defined in the Annexes of Directive 2000/53/EC (ELV). Regarding the REACH Regulation, the information TE provides on SVHC in articles for this part number is based on the latest European Chemicals Agency (ECHA) 'Guidance on requirements for substances in articles' posted at this URL: <https://echa.europa.eu/guidance-documents/guidance-on-reach>

## Compatible Parts

 <p>TE Part # CAT-AM74-UN384H AMP-LATCH UNIVERSAL HEADERS</p>	 <p>TE Part # 3-1761606-5 IDC LOW PRO HDR 50P VERT LG LA</p>	 <p>TE Part # 1-5103311-0 A/L LOW PRO HDR 50P RA BLACK</p>	 <p>TE Part # 3-1761607-5 IDC LOW PRO HDR 50P RA LG LAT</p>
 <p>TE Part # 1-5103310-0 A/L LOW PRO HDR 50P RA BLACK</p>	 <p>TE Part # 1-5103308-0 A/L LOW PRO HDR 50P VERT BLACK</p>	 <p>TE Part # 1-5103309-0 A/L LOW PRO HDR 50P VERT BLACK</p>	 <p>TE Part # 1-1761606-5 IDC LOW PRO HDR 50P VERT LG LA</p>



TE Part # 1-111446-7  
50 UNIV I/O, NO EARS,LEAD FREE



TE Part # 1-1761607-5  
IDC LOW PRO HDR 50P RA LG LAT  
BLK



TE Part # 2-1658526-3  
609-5030LF FEM SOCKET,LEAD FREE



TE Part # 5104338-9  
A/L LOW PRO HDR 50P VERT HT



TE Part # 3-1761603-5  
IDC LOW PRO HDR 50P VERT BLUE



TE Part # 3-1761605-5  
IDC LOW PRO HDR 50P RA BLUE



TE Part # 1-1761686-5  
IDC LOW PRO HDR 50P VERT LG LAT



TE Part # 5104340-9  
A/L LOW PRO HDR 50P RA HT



TE Part # 3-1761711-5  
IDC LOW PRO HDR 50P VERT LG LA



TE Part # 1-1761681-5  
IDC LOW PRO HDR 50P VERT HT  
BLACK



TE Part # 3-1761712-5  
IDC LOW PRO HDR 50P RA LG LAT



TE Part # 1-111506-4  
50 UNIV I/O, SLOTTED,LEAD FREE

### Customers Also Bought



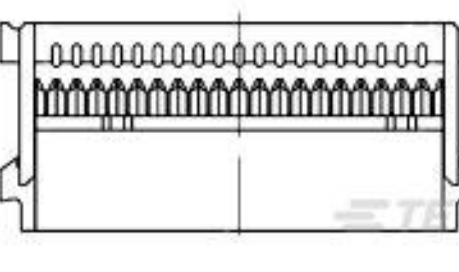
TE Part #6609021-8  
5VB3=F7127 S0



TE Part #1-6609028-5  
10VK7=F7145 S0



TE Part #3-1761606-5  
IDC LOW PRO HDR 50P VERT LG LA



TE Part #1-1658526-5  
609-2630LF FEM SOCKET,LEAD FREE



TE Part #1-5103308-0  
A/L LOW PRO HDR 50P VERT BLACK



TE Part #60789-1  
.058 DIA RECEPTACLE LP 20-24



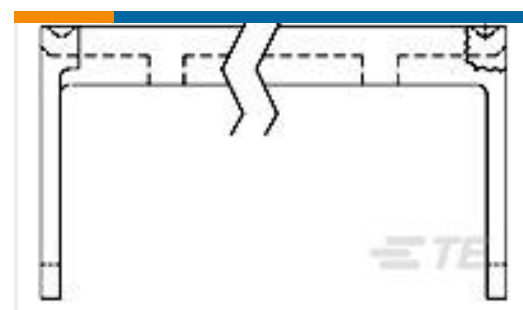
TE Part #1-1658623-0  
50 NOVO MIL 30DP, LEAD FREE



TE Part #2-1761605-9  
IDC LOW PRO HDR 26P RA BLUE



TE Part #3-1761603-5  
IDC LOW PRO HDR 50P VERT BLUE



TE Part #8-1437020-6  
609-2031HD=FSKT IDC S 20 SR

## Documents

### Product Drawings

[609-5031HD=FSKT IDC S 50 SR](#)

English

### CAD Files

[3D PDF](#)

3D

Customer View Model

[ENG\\_CVM\\_CVM\\_8-1437021-1\\_C.2d\\_dxf.zip](#)

English

Customer View Model

[ENG\\_CVM\\_CVM\\_8-1437021-1\\_C.3d\\_igs.zip](#)

English

Customer View Model

[ENG\\_CVM\\_CVM\\_8-1437021-1\\_C.3d\\_stp.zip](#)

English

By downloading the CAD file I accept and agree to the [Terms and Conditions](#) of use.

### Datasheets & Catalog Pages

[Ribbon Cable Interconnect Solutions](#)

English