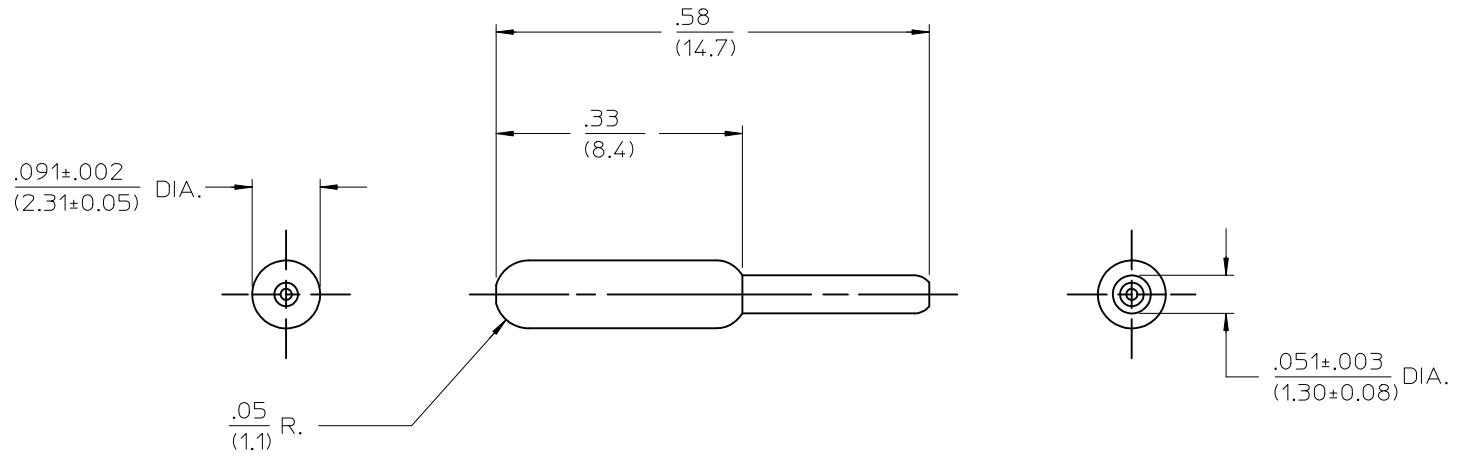


10 9 8 7 6 5 4 3 2 1



REDWIRE DRAIN HOLE EC NO: UCP2004-2212 DRW:RHOLTS 2004/06/17 CHKD:FSMITH APPR:FSMITH 2011/09/14	QUALITY SYMBOLS	GENERAL TOLERANCES (UNLESS SPECIFIED)		DIMENSION STYLE IN/MM		SCALE 6:1	DESIGN UNITS INCH	THIRD ANGLE PROJECTION	
	▽=0	mm	INCH	DRAWN BY GWC	DATE 1992/01/03	TITLE TERMINAL, PIN & SOCKET P.C. TAIL, FOR .093 SERIES HEADERS			
	▽=0	4 PLACES ± ---	± ---	CHECKED BY RW	DATE 1992/01/03				
	▽=0	3 PLACES ± 0.25	± .010	APPROVED BY FSMITH	DATE 2011/09/14	MOLEX INCORPORATED DOCUMENT NO.		SHEET NO. 1 OF 2	
	2 PLACES ± 0.36	± .014	MATERIAL NO.		SD-1840-*		THIS DRAWING CONTAINS INFORMATION THAT IS PROPRIETARY TO MOLEX INCORPORATED AND SHOULD NOT BE USED WITHOUT WRITTEN PERMISSION		
	1 PLACE ± ---	± ---	ANGULAR ±1/2°		SEE CHART				
		DRAFT WHERE APPLICABLE MUST REMAIN WITHIN DIMENSIONS							

9 8 7 6 5 4 3 2 1

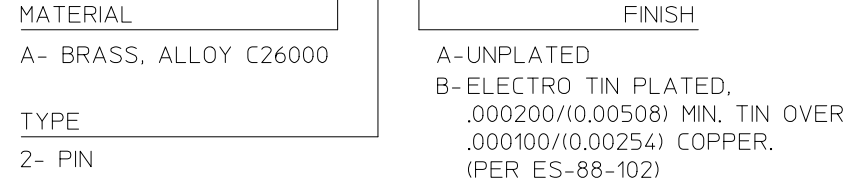
PART NO.	ENG. NO.	MATERIAL	TYPE	FINISH
16-06-0052	1840-A2A	A	2	A
16-06-0002	1840-A2B	A	2	B

NOTES:

1. MATERIAL: SEE LEGEND
2. FINISH: SEE LEGEND
3. PRODUCT SPECIFICATION: N/A
4. PACKAGING SPECIFICATION: N/A
5. THESE TERMINALS ARE USED FOR BOTH THE 1840 AND 3099 ASSEMBLIES.

LEGEND

1840- A 2 *



SEE SHEET ONE EC NO: UCP2004-2212 DRW:RHOLTS 2004/06/17 CHKD:FSMITH APPR:FSMITH 2011/09/14	QUALITY SYMBOLS	GENERAL TOLERANCES (UNLESS SPECIFIED)		DIMENSION STYLE IN/MM		SCALE 1:1	DESIGN UNITS INCH	THIRD ANGLE PROJECTION	
		mm	INCH	DRAWN BY	DATE	TITLE TERMINAL, PIN & SOCKET P.C. TAIL, FOR .093 SERIES HEADERS			
		4 PLACES ± ---	± ---	GWC	1992/01/03				
		3 PLACES ± ---	± .010	CHECKED BY	DATE	MATERIAL NO. SEE CHART			
	2 PLACES ± 0.25	± .014	RW	1992/01/03					
	1 PLACE ± 0.36	± ---	APPROVED BY	DATE	DOCUMENT NO.		SD-1840-*		
	ANGULAR ± 1/2°		FSMITH	2011/09/14	MATERIAL NO. SEE CHART				
DRAFT WHERE APPLICABLE MUST REMAIN WITHIN DIMENSIONS			THIS DRAWING CONTAINS INFORMATION THAT IS PROPRIETARY TO MOLEX INCORPORATED AND SHOULD NOT BE USED WITHOUT WRITTEN PERMISSION						