

DAC5674 EVM

User's Guide

IMPORTANT NOTICE

Texas Instruments Incorporated and its subsidiaries (TI) reserve the right to make corrections, modifications, enhancements, improvements, and other changes to its products and services at any time and to discontinue any product or service without notice. Customers should obtain the latest relevant information before placing orders and should verify that such information is current and complete. All products are sold subject to TI's terms and conditions of sale supplied at the time of order acknowledgment.

TI warrants performance of its hardware products to the specifications applicable at the time of sale in accordance with TI's standard warranty. Testing and other quality control techniques are used to the extent TI deems necessary to support this warranty. Except where mandated by government requirements, testing of all parameters of each product is not necessarily performed.

TI assumes no liability for applications assistance or customer product design. Customers are responsible for their products and applications using TI components. To minimize the risks associated with customer products and applications, customers should provide adequate design and operating safeguards.

TI does not warrant or represent that any license, either express or implied, is granted under any TI patent right, copyright, mask work right, or other TI intellectual property right relating to any combination, machine, or process in which TI products or services are used. Information published by TI regarding third-party products or services does not constitute a license from TI to use such products or services or a warranty or endorsement thereof. Use of such information may require a license from a third party under the patents or other intellectual property of the third party, or a license from TI under the patents or other intellectual property of TI.

Reproduction of information in TI data books or data sheets is permissible only if reproduction is without alteration and is accompanied by all associated warranties, conditions, limitations, and notices. Reproduction of this information with alteration is an unfair and deceptive business practice. TI is not responsible or liable for such altered documentation.

Resale of TI products or services with statements different from or beyond the parameters stated by TI for that product or service voids all express and any implied warranties for the associated TI product or service and is an unfair and deceptive business practice. TI is not responsible or liable for any such statements.

Following are URLs where you can obtain information on other Texas Instruments products and application solutions:

Products		Applications	
Amplifiers	amplifier.ti.com	Audio	www.ti.com/audio
Data Converters	dataconverter.ti.com	Automotive	www.ti.com/automotive
DSP	dsp.ti.com	Broadband	www.ti.com/broadband
Interface	interface.ti.com	Digital Control	www.ti.com/digitalcontrol
Logic	logic.ti.com	Military	www.ti.com/military
Power Mgmt	power.ti.com	Optical Networking	www.ti.com/opticalnetwork
Microcontrollers	microcontroller.ti.com	Security	www.ti.com/security
		Telephony	www.ti.com/telephony
		Video & Imaging	www.ti.com/video
		Wireless	www.ti.com/wireless

Mailing Address: Texas Instruments
Post Office Box 655303 Dallas, Texas 75265

EVM IMPORTANT NOTICE

Texas Instruments (TI) provides the enclosed product(s) under the following conditions:

This evaluation kit being sold by TI is intended for use for **ENGINEERING DEVELOPMENT OR EVALUATION PURPOSES ONLY** and is not considered by TI to be fit for commercial use. As such, the goods being provided may not be complete in terms of required design-, marketing-, and/or manufacturing-related protective considerations, including product safety measures typically found in the end product incorporating the goods. As a prototype, this product does not fall within the scope of the European Union directive on electromagnetic compatibility and therefore may not meet the technical requirements of the directive.

Should this evaluation kit not meet the specifications indicated in the EVM User's Guide, the kit may be returned within 30 days from the date of delivery for a full refund. **THE FOREGOING WARRANTY IS THE EXCLUSIVE WARRANTY MADE BY SELLER TO BUYER AND IS IN LIEU OF ALL OTHER WARRANTIES, EXPRESSED, IMPLIED, OR STATUTORY, INCLUDING ANY WARRANTY OF MERCHANTABILITY OR FITNESS FOR ANY PARTICULAR PURPOSE.**

The user assumes all responsibility and liability for proper and safe handling of the goods. Further, the user indemnifies TI from all claims arising from the handling or use of the goods. Please be aware that the products received may not be regulatory compliant or agency certified (FCC, UL, CE, etc.). Due to the open construction of the product, it is the user's responsibility to take any and all appropriate precautions with regard to electrostatic discharge.

EXCEPT TO THE EXTENT OF THE INDEMNITY SET FORTH ABOVE, NEITHER PARTY SHALL BE LIABLE TO THE OTHER FOR ANY INDIRECT, SPECIAL, INCIDENTAL, OR CONSEQUENTIAL DAMAGES.

TI currently deals with a variety of customers for products, and therefore our arrangement with the user **is not exclusive**.

TI assumes **no liability for applications assistance, customer product design, software performance, or infringement of patents or services described herein**.

Please read the EVM User's Guide and, specifically, the EVM Warnings and Restrictions notice in the EVM User's Guide prior to handling the product. This notice contains important safety information about temperatures and voltages. For further safety concerns, please contact the TI application engineer.

Persons handling the product must have electronics training and observe good laboratory practice standards.

No license is granted under any patent right or other intellectual property right of TI covering or relating to any machine, process, or combination in which such TI products or services might be or are used.

Mailing Address:

Texas Instruments
Post Office Box 655303
Dallas, Texas 75265

EVM WARNINGS AND RESTRICTIONS

It is important to operate this EVM within an input voltage range of 0 V to 3.3 V.

Exceeding the specified input range may cause unexpected operation and/or irreversible damage to the EVM. If there are questions concerning the input range, please contact a TI field representative prior to connecting the input power.

Applying loads outside of the specified output range may result in unintended operation and/or possible permanent damage to the EVM. Please consult the EVM User's Guide prior to connecting any load to the EVM output. If there is uncertainty as to the load specification, please contact a TI field representative.

During normal operation, some circuit components may have case temperatures greater than 40°C. The EVM is designed to operate properly with certain components above 40°C as long as the input and output ranges are maintained. These components include but are not limited to linear regulators, switching transistors, pass transistors, and current sense resistors. These types of devices can be identified using the EVM schematic located in the EVM User's Guide. When placing measurement probes near these devices during operation, please be aware that these devices may be very warm to the touch.

Mailing Address:

Texas Instruments
Post Office Box 655303
Dallas, Texas 75265

Contents

1	Overview	1-1
1.1	Purpose	1-2
1.2	EVM Basic Functions	1-2
1.3	Power Requirements	1-2
1.4	DAC5674 EVM Operational Procedure	1-3
2	PCB Layout and Parts List	2-1
2.1	PCB Layout	2-2
2.2	Parts List	2-5
3	Circuit Description	3-1
3.1	Circuit Function	3-2
3.1.1	Input Clock	3-2
3.1.2	Input Data	3-2
3.1.3	Output Data	3-3
3.1.4	Internal Reference Operation	3-4
3.1.5	External Reference Operation	3-4
3.1.6	Sleep Mode	3-4
3.1.7	Filter Control	3-4
3.1.8	PLL Divider Control	3-4
4	Schematics	4-1

Tables

2-1	DAC5674 EVM Parts List	2-5
3-1	EVM Clock Configuration	3-2
3-2	Input Connector J8	3-3
3-3	Transformer Output Configuration	3-3

Figures

2-1	Top Layer 1	2-2
2-2	Ground Plane	2-3
2-3	Power Plane	2-3
2-4	Bottom Layer	2-4

Overview

This user's guide document gives a general overview of the DAC5674 evaluation module (EVM) and provides a general description of the features and functions to be considered while using this module.

Topic	Page
1.1 Purpose	1-2
1.2 EVM Basic Functions	1-2
1.3 Power Requirements	1-2
1.4 DAC5674 EVM Operational Procedure	1-3

1.1 Purpose

The DAC5674 EVM provides a platform for evaluating the DAC5674 digital-to-analog converter (DAC) under various signal, reference, and supply conditions. This document should be used in combination with the EVM schematic diagram supplied.

1.2 EVM Basic Functions

Digital inputs to the DAC can be provided with CMOS level signals up to 200 MSPS through a 40-pin header. This enables the user to provide high-speed digital data to the DAC5674.

The analog output from the DAC is available via SMA connectors. Because of its flexible design, the analog output of the DAC5674 can be configured to drive a 50- Ω terminated cable using a 4:1 or 1:1 impedance ratio transformer, or single-ended referred to GND.

The EVM allows for different clock configurations. The user can input a differential ECL/PECL or TTL/CMOS level signal, to be used to generate a single-ended or differential clock source. See the clock section for proper configuration and operation.

Power connections to the EVM are via banana jack sockets. Separate sockets are provided for the analog, digital, PLL, and I/O supply.

In addition to the internal bandgap reference provided by the DAC5674 device, options on the EVM allow external reference to be provided to the DAC.

1.3 Power Requirements

The demonstration board has four power inputs. The first, +3.3VA, is required to be +3.3 Vdc at banana jack J9 with the return going to J11. This is the analog supply for the DAC5674. The second, +1.8 VD, is required to be +1.8 Vdc at banana jack J14 with the return to J16. This is the digital +1.8-V supply for the DAC5674. The third, +3.3VCLK, is required to be +3.3 Vdc at banana jack J10 with the return at J13. This is the digital supply for the internal PLL circuitry. The fourth, +1.8/3.3VD_IO, is required to be either +1.8 or +3.3 Vdc at banana jack J12 with the return at J15. This is the supply for the digital I/Os. The EVM can be powered using only two supplies, but powering from four separate supplies provides higher performance.

Note: Voltage Limits

Exceeding the maximum input voltages can damage EVM components. Undervoltage may cause improper operation of some or all of the EVM components.

1.4 DAC5674 EVM Operational Procedure

The DAC5674 EVM can be set up in a variety of configurations to accommodate a specific mode of operation. Before starting evaluation, the user should decide on the configuration and make the appropriate connections or changes. The demonstration board comes with the following factory-set configuration:

- Differential clock mode using transformer T2 and a clock input at J4
- Transformer coupled output using transformer T1
- The converter is set to operate with internal reference. Jumper W2 is installed between pins 1 and 2.
- Full-scale output current set to 20 mA through R_{BIAS} resistor R1
- The DAC5674 output is enabled (sleep mode disabled). Jumper W3 is installed between pins 1 and 2.
- Reset operation controlled through S1. Jumper W5 is installed between pins 2 and 3.
- Internal PLL is disabled. Jumper W4 is installed between pins 1 and 2.



PCB Layout and Parts List

This chapter describes the physical characteristics and PCB layout of the EVM and lists the components used on the module.

Topic	Page
2.1 PCB Layout	2-2
2.2 Parts List	2-5

2.1 PCB Layout

The EVM is constructed on a 4-layer, 3.3-inch × 5.75-inch, 0.062-inch thick PCB using FR-4 material. Figure 2–1 through Figure 2–4 show the PCB layout for the EVM.

Figure 2–1. Top Layer 1

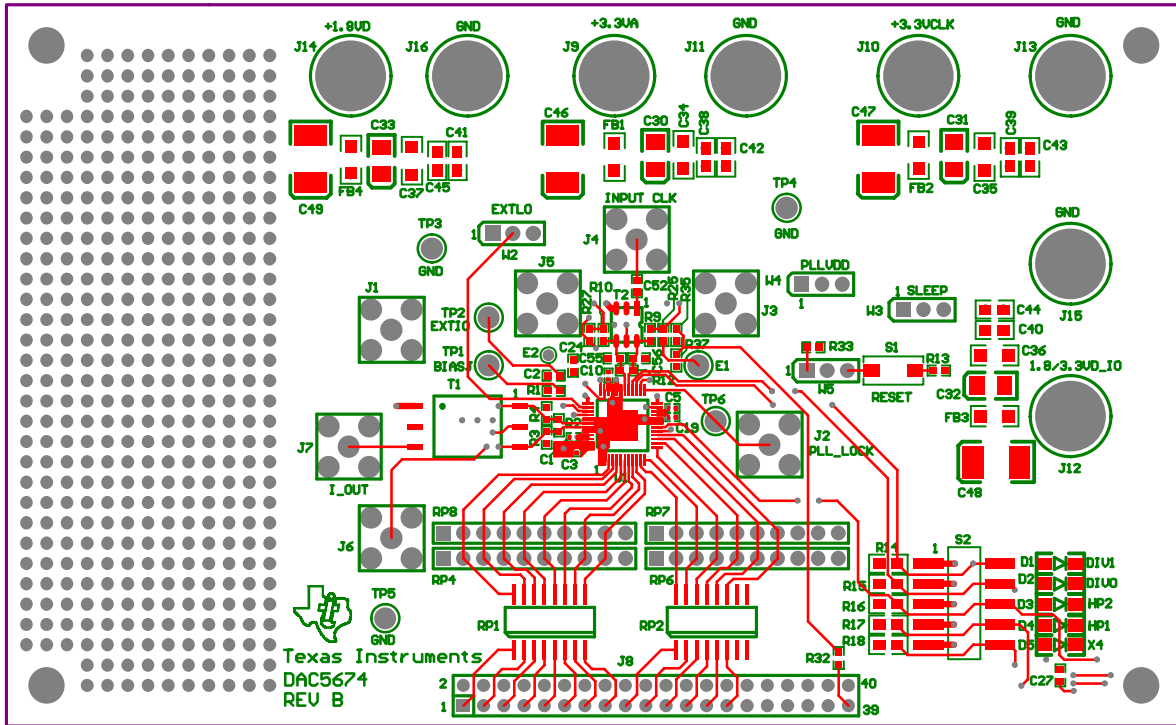


Figure 2-2. Layer 2, Ground Plane

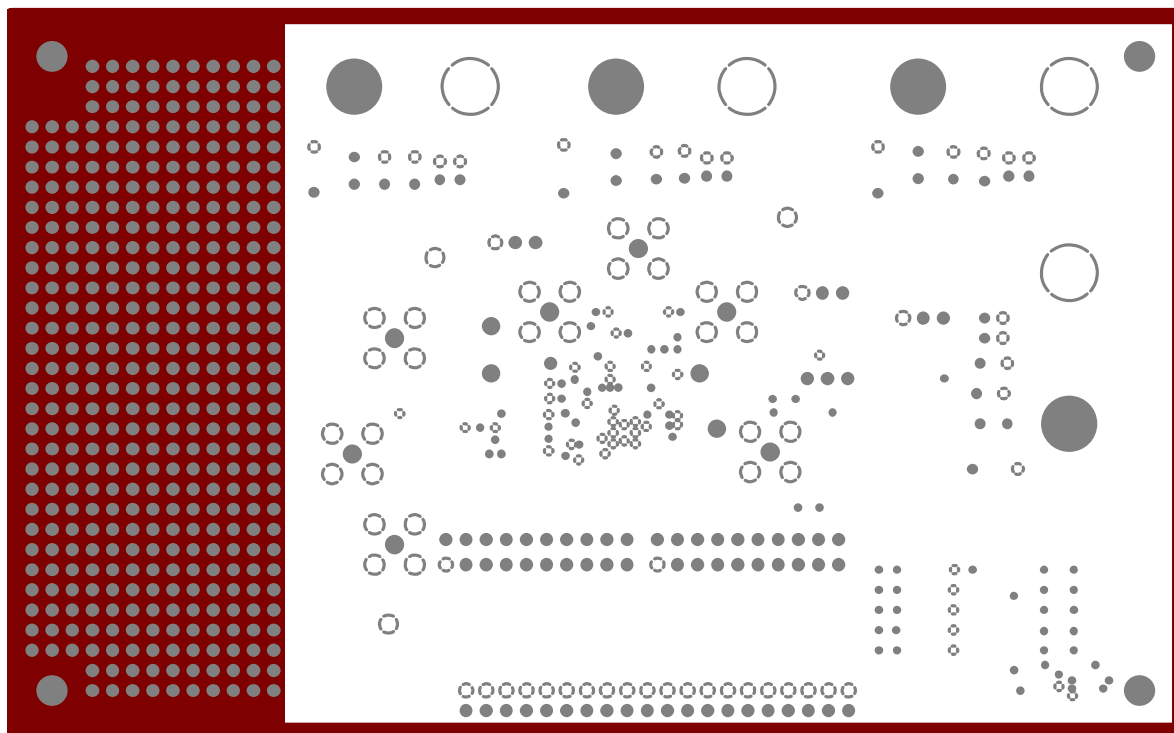


Figure 2-3. Layer 3, Power Plane

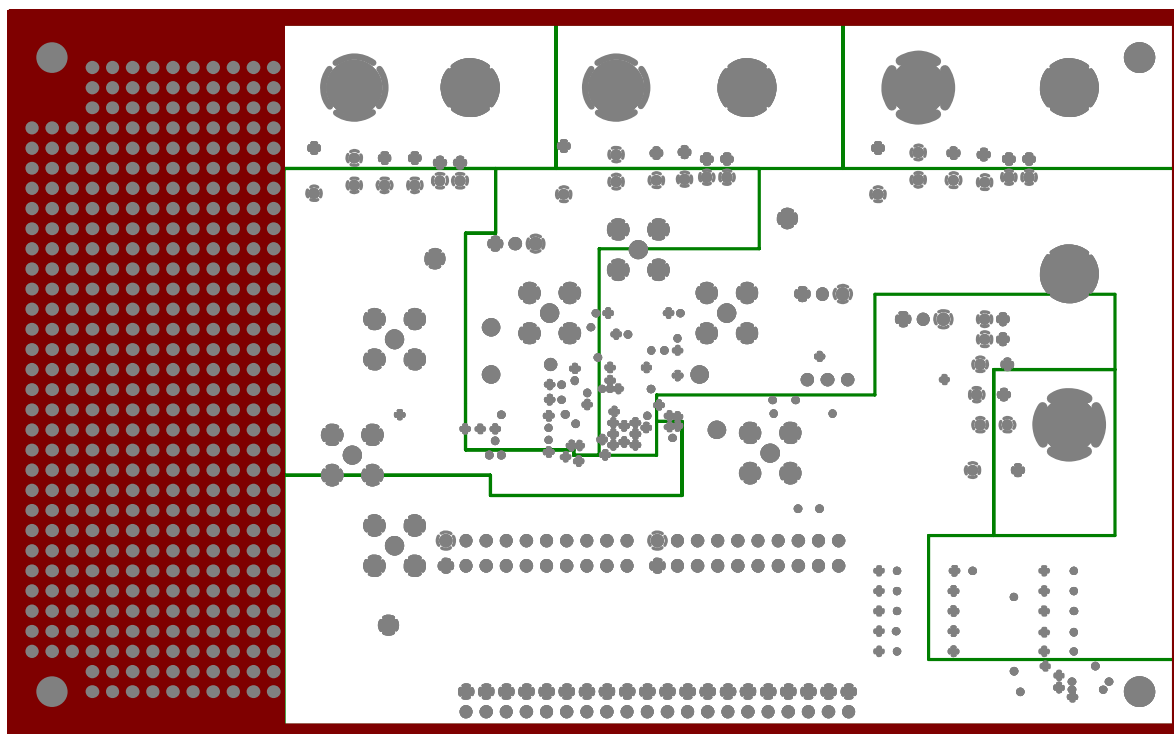
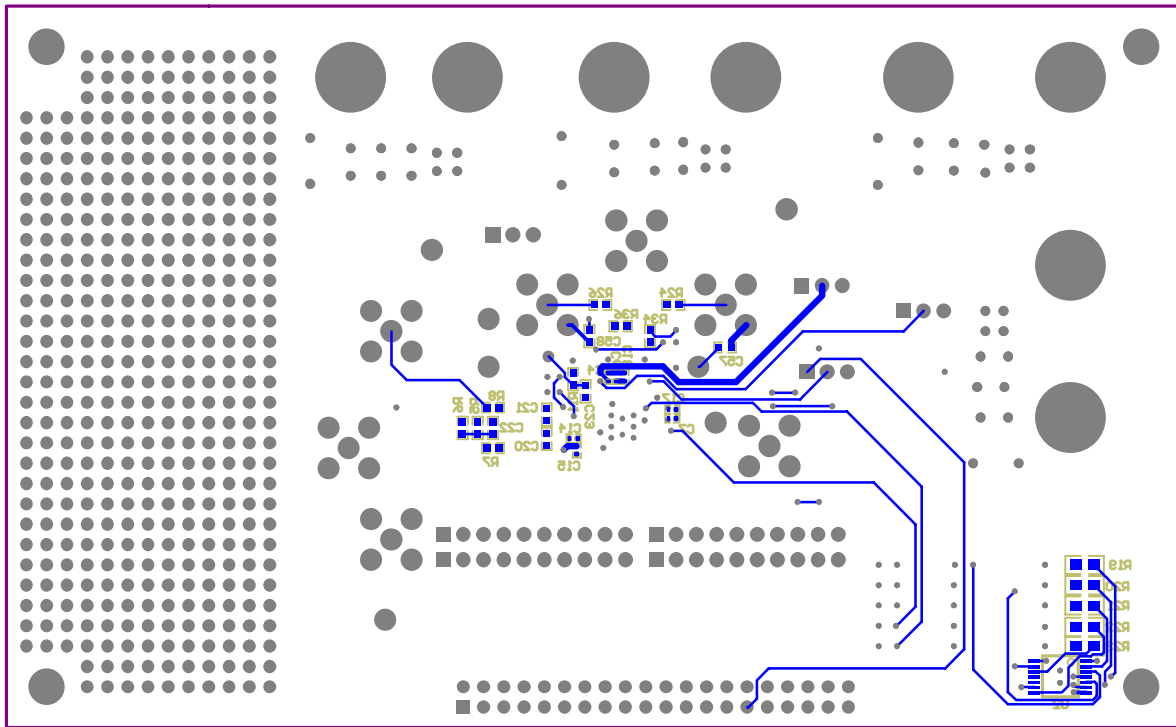


Figure 2–4. Bottom Layer



2.2 Parts List

Table 2–1 lists the parts used in constructing the EVM.

Table 2–1. DAC5674 EVM Parts List

Description	Qty.	Part Number	Mfg.	Ref. Des.	
				Installed	Not Installed
22-pF, 50-V, 5% capacitor	0	06035A220JAT2A	AVX		C20, C21
100-pF, 50-V, 5% capacitor	1	ECU-V1H101JCG	Panasonic	C23	
0.01- μ F, 16-V, 10% capacitor	2	06035A103KAT2A	AVX	C24, C52	C25, C55, C56
0.01- μ F, 100-V, 5% capacitor	4	08055C103KAT2A	AVX	C42–C45	
0.1- μ F, 16-V, 10% capacitor	17	08055C104JAT2A	AVX	C1 –C7, C10, C14, C15, C17–C19, C22, C27, C57, C58	
0.1- μ F, 100-V, 10% capacitor	4	ECJ-2VB1C104K	Panasonic	C38–C41	
1- μ F, 16-V, 10% capacitor	4	ECJ-3YB1C105K	Panasonic	C34–C37	
10- μ F, 10-V, 10% capacitor	4	GRM42X5R106K10	Murata	C30–C33	
47- μ F, 10-V, 10%, tantalum capacitor	4	10TPA47M	Sanyo	C46–C49	
DAC5674	1	DAC5674IDW	TI	U1	
Ferrite bead	4	D01608C-472	Coil Craft	FB1–FB4	
3POS header	4	TSW-150-07-L-S	Samtec	W2–W5	
40-pin header	1	TSW-120-07-L-D	Samtec	J8	
Red banana jacks	4	ST-351A	Allied	J9, J10, J12, J14	
Black banana jacks	4	ST-351B	Allied	J11, J13, J15, J16	
Green LED	5	LN1351C-(TR)	Panasonic	D1–D5	
0- Ω , 1/16-W, 1% resistor	1	ERJ-3EKF0R00V	Panasonic	R6	R5, R7–R10, R34, R36
10- Ω , 1/16-W, 1% resistor	1	ERJ-3EKF10R0	Panasonic	R32	
49.9- Ω , 1/16-W, 1% resistor	6	ERJ-3EKF49R9V	Panasonic	R3, R4, R24–R27	
100- Ω , 1/8-W, 1% resistor	1	ERA-3YEB100	Panasonic	R2	
200- Ω , 1/10-W, 1% resistor	5	ERJ-6ENF2000	Panasonic	R19–R23	
200- Ω , 1/16-W, 0.1% resistor	2	ERA-3YEB200	Panasonic	R11, R12	
1-k Ω , 1/8-W, 1% resistor	0	ERJ-3EKF1001	Panasonic		R35, R37
1-k Ω , 1/8-W, 1% resistor	5	ERJ-6ENF1001	Panasonic	R14–R18	
2-k Ω , 1/16-W, 1% resistor	1	ERJ-6ENF2001	Panasonic	R1	
10K-k Ω , 1/8-W, 1% resistor	2	ERJ-3EKF1002	Panasonic	R13, R33	
22- Ω resistor pack	2	4816P-001-220	Bourns	RP1, RP2	
51- Ω resistor pack	2	770-101-R51	CTS	RP4, RP6	RP7, RP8

Table 2-1. DAC5674 EVM Parts List (Continued)

Description	Qty.	Part Number	Mfg.	Ref. Des.	
				Installed	Not Installed
SW-PB switch	1	EVQ-PJX04M	Panasonic	S1	
Switch	1	SD05HOSK	CK	S2	
SMA connectors	3	713-4339 (901-144-8RFX)	Allied	J2, J4, J7	J1, J3, J5, J6
SN74LVC04A	1	SN74LVC04APW	TI	U2	
Standoff, hex (1/4 × 1")	4	219-2063	Allied		
Black test point	3	5001K	Keystone	TP3, TP4, TP5	
Red test point	3	5000K	Keystone	TP1, TP2, TP6	
Transformer	1	T1-1T-KK8	Mini-Circuits	T1	
Transformer	1	TCM4-1	Mini-Circuits	T2	

Circuit Description



This chapter provides descriptions of the primary functional circuits on the DAC5674 EVM.

Topic	Page
3.1 Circuit Function	3-2

3.1 Circuit Function

The following paragraphs describe the EVM circuits.

3.1.1 Input Clock

The DAC5674 EVM default operation setting is with a differential input clock sent to the DAC5674. A 500-mV p-p, 0-V offset, 50% duty-cycle external sinewave is applied to SMA connector J4 and converted to a differential clock input to the DAC5674 by transformer T2. This input represents a 50- Ω load to the source. In order to preserve the specified performance of the DAC5674 converter, the clock source should feature very low jitter. Using a clock with a 50% duty cycle gives optimum dynamic performance.

3.1.1.1 Differential ECL/PECL Input Clock

The EVM can be configured for differential ECL/PECL input clock mode by configuring the board per Table 3–1 and applying the appropriate ECL/PECL common mode voltage at terminal E1 (VTT). Use J3 and J5 to input the external differential ECL/PECL clock signals.

3.1.1.2 Single-Ended Input Clock

The EVM can be configured for single-ended input clock mode by configuring the board per Table 3–1. SMA connector J3 or header J8 can be used to input the external TTL/CMOS clock signal.

Table 3–1. EVM Clock Configuration

Clock Configuration	Components Installed [†]	Components Not Installed
Sinewave (Default)	R12, T2, C52	R9, R10, R34, R35, R36, R37, C55, C56
ECL or PECL	R9 (0.01- μ F cap.), R10 (0.01- μ F cap.)	R36, R12, R34, R35, R37, T2, C55, C56
Single ended TTL/CMOS from J3	R9, C55	R10, R12, R25, R34, R35, R37, T2, C56
Single ended TTL/CMOS from J8	R34, R37, C55	R9, R10, R12, R35, T2, C56

[†] All component values are per the schematic except where shown in parentheses.

3.1.2 Input Data

The DAC5674 EVM can accept 3.3-V CMOS logic level data inputs through the 40-pin header J8 per Table 3–2. The board provides 50- Ω termination to ground and series dampening resistors to minimize digital ringing and switching noise. J8 also provides a path for an input clock (see Table 3–1 for proper board configuration).

Table 3–2. Input Connector J8

J8 Pin	Description	J8 Pin	Description	J8 Pin	Description
1	CMOS data bit 13 (MSB)	15	CMOS data bit 6	29	Reset
2	GND	16	GND	30	GND
3	CMOS data bit 12	17	CMOS data bit 5	31	
4	GND	18	GND	32	GND
5	CMOS data bit 11	19	CMOS data bit 4	33	
6	GND	20	GND	34	GND
7	CMOS data bit 10	21	CMOS data bit 3	35	
8	GND	22	GND	36	GND
9	CMOS data bit 9	23	CMOS data bit 2	37	
10	GND	24	GND	38	GND
11	CMOS data bit 8	25	CMOS data bit 1	39	SCLK_IN
12	GND	26	GND	40	GND
13	CMOS data bit 7	27	CMOS data bit 0 (LSB)		
14	GND	28	GND		

3.1.3 Output Data

The DAC5674 EVM can be configured to drive a doubly terminated 50-Ω cable or provide unbuffered differential outputs.

3.1.3.1 Transformer Coupled Signal Output

The factory-set configuration of the demonstration board provides the user with a single-ended output signal at SMA connector J7. The DAC5674 is configured to drive a doubly terminated 50-Ω cable using a 1:1 impedance ratio transformer, a 100-Ω terminating resistor R2, and the center tap of T1 connected to ground per Table 3–3. When using a 4:1 impedance ratio transformer, configure the EVM per Table 3–3. The common mode input voltage of T1 can be adjusted by using the resistor divider network R5 and R6.

Table 3–3. Transformer Output Configuration

Configuration	Components Installed [†]	Components Not Installed
1:1 Impedance ratio transformer	R2, R3, R4, R6, C22, T1 (1:1)	R5, R7, R8, C20, C21
4:1 Impedance ratio transformer	R3 (100), R4 (100), R6, C22, T1 (4:1)	R2, R5, R7, R8, C20, C21

[†] All component values are per the schematic except where shown in parenthesis.

3.1.3.2 Unbuffered Differential Output

To provide unbuffered differential outputs, the EVM must be configured as follows: remove R2, C20, C21, and T1; Install R3, R4, R7, R8, J1 and J6.

3.1.4 Internal Reference Operation

The full-scale output current is set by applying an external resistor (R1) between the BIASJ pin of the DAC5674 and ground. The full-scale output current can be adjusted from 20 mA down to 2 mA by varying R1 or changing the externally applied reference voltage. The full-scale output current, $I_{OUT_{FS}}$, is defined as follows:

$$I_{OUT_{FS}} = 32 \times (V_{EXTIO}/R1)$$

where V_{EXTIO} is the voltage at pin EXTIO. This voltage is 1.2 V typical when using the internally provided bandgap reference voltage source.

3.1.5 External Reference Operation

The internal reference can be disabled and overridden by an external reference by connecting a voltage source to terminal TP2 (EXT_I/O) and connecting EXTLO to AVDD. The specified range for external reference voltages should be observed (see the DAC5674 data sheet (SLWS148) for details).

3.1.6 Sleep Mode

The DAC5674 EVM provides a means of placing the DAC5674 into a power-down mode. This mode is activated by placing jumper W3 between pins 2 and 3.

3.1.7 Filter Control

The DAC5674 has two inputs, HP1 and HP2, which control the internal interpolation filters (FIR1 and FIR2) mode of operation. When these inputs are set to a logic high, the filters are configured for high-pass response. When set to a logic low, the filters are configured for low-pass response. A third input, X4, allows the user to bypass Interpolation Filter 1. When X4 is set to a logic low, Filter 1 is bypassed. See the data sheet (SLWS148) for more information.

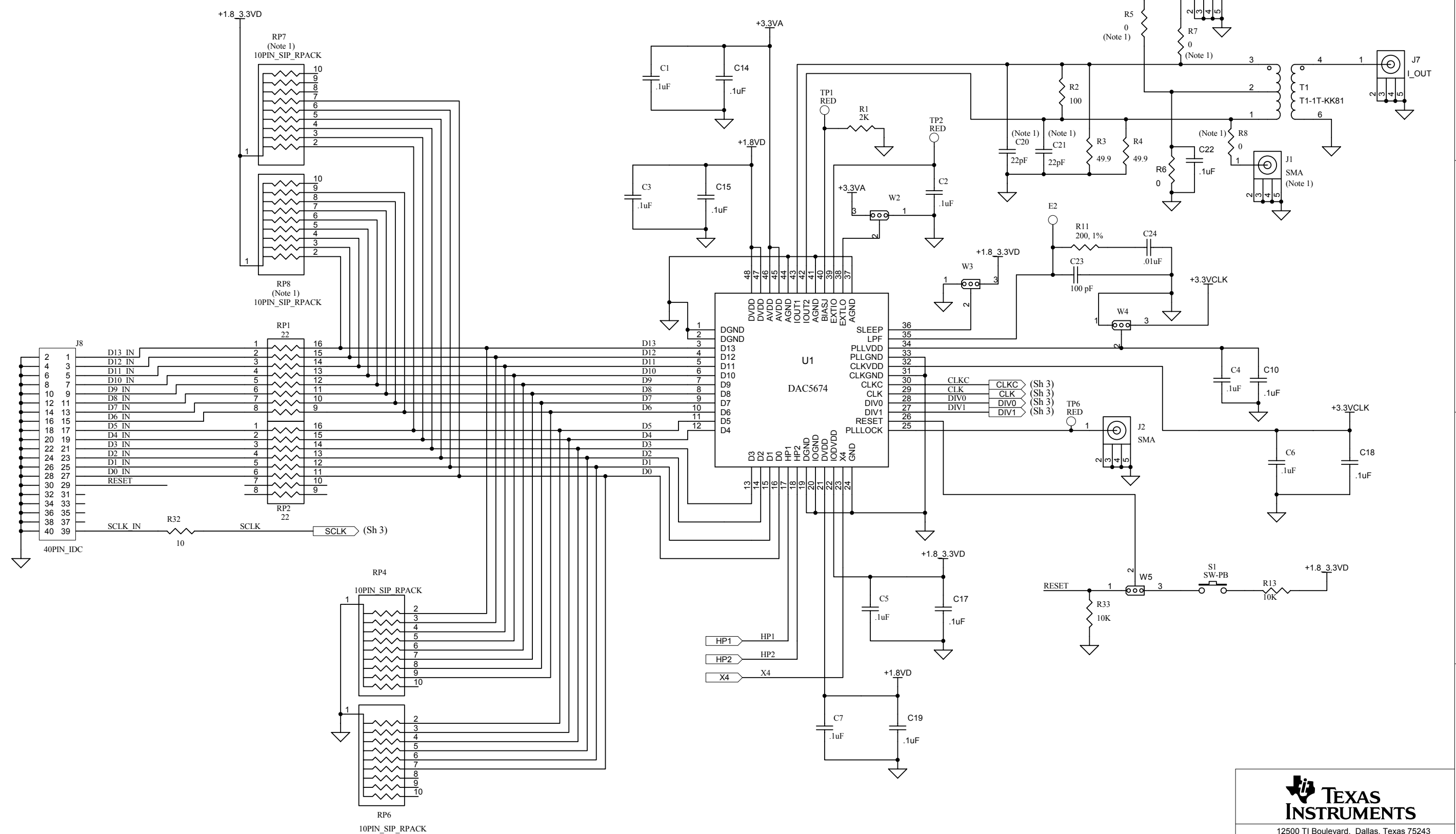
3.1.8 PLL Divider Control

The DAC5674 has two inputs, DIV0 and DIV1, which control the internal PLL prescaler divide ratio setting. These two signals, along with the three filter control signals, are all controlled by DIP switch S2 on the EVM. All control signals are in the logic low level when the DIP switch is in the closed position. See the data sheet (SLWS148) for more information.

Schematics

This chapter contains the EVM schematic diagrams.

Revision History		
REV	ECN Number	Approved



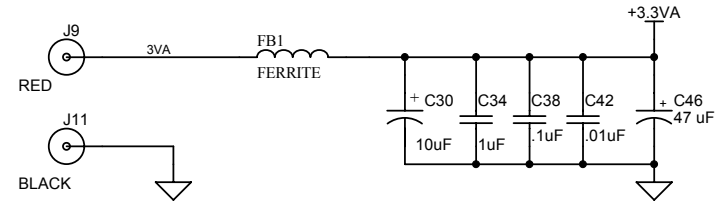
NOTE 1. PART IS NOT INSTALLED

TEXAS INSTRUMENTS
 12500 TI Boulevard, Dallas, Texas 75243

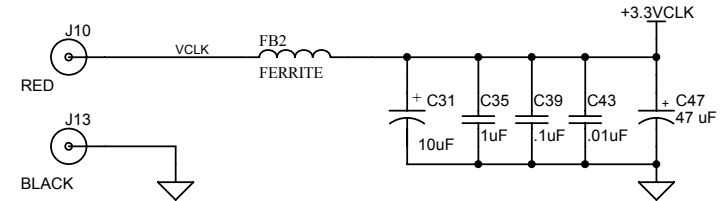
Title: **DAC5674**

Engineer: J. SETON	SIZE:	DATE: 4-Sep-2003	REV: B
Drawn By: Y. DEWONCK	SHEET: 1	OF: 3	

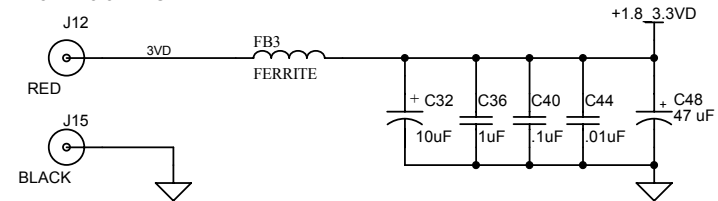
+3.3V ANALOG



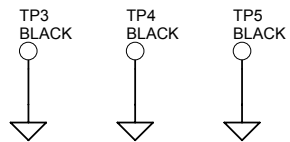
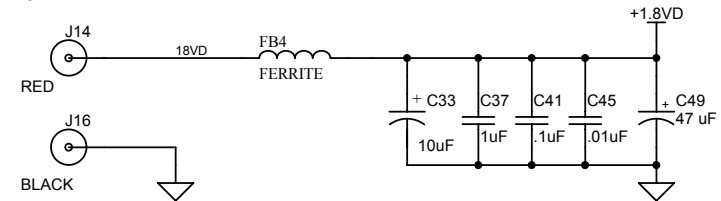
+3.3V CLOCK



1.8V / +3.3V DIGITAL



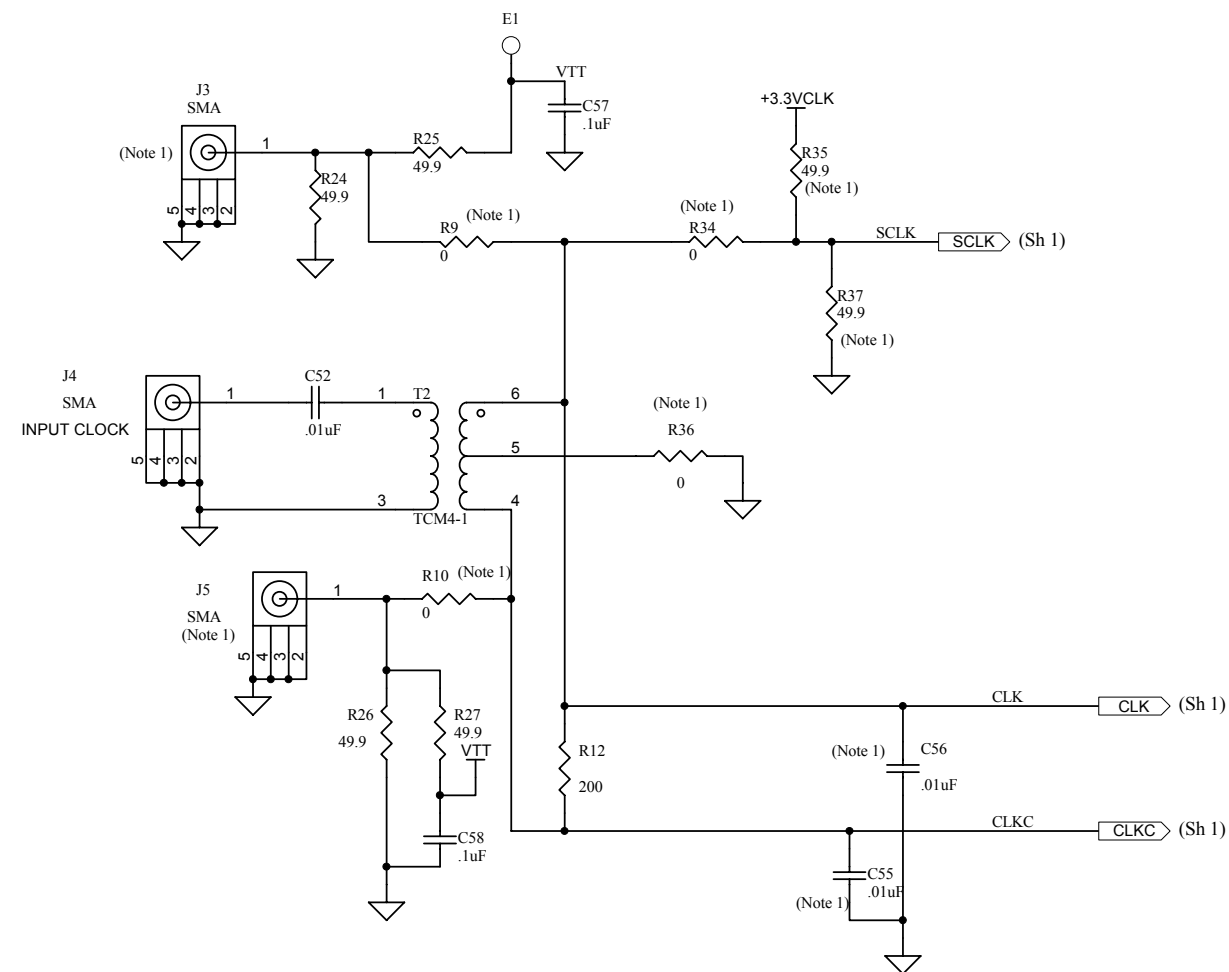
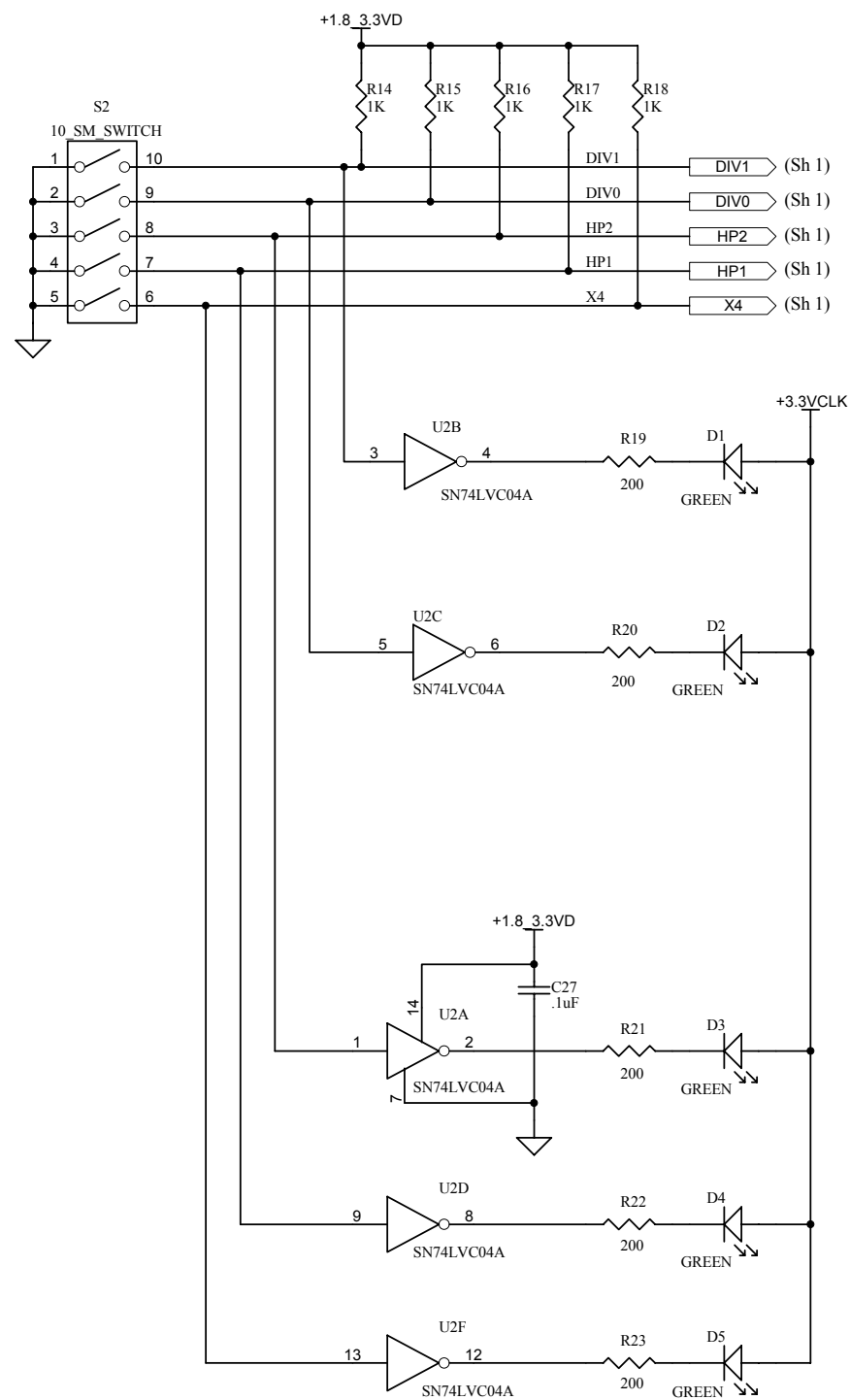
+1.8VD



12500 TI Boulevard, Dallas, Texas 75243

Title: DAC5674

Engineer: J. SETON	SIZE:	DATE: 4-Sep-2003	REV: B
Drawn By: Y. DEWONCK	FILE:		SHEET: 2 OF: 3



NOTE 1. PART IS NOT INSTALLED



12500 TI Boulevard, Dallas, Texas 75243

Title: DAC5674			
Engineer: J. SETON	SIZE:	DATE: 4-Sep-2003	REV: B
Drawn By: Y. DEWONCK			SHEET: 3 OF: 3
FILE:			