

DESCRIPTION: M12 MALE - PANEL MOUNT (REAR) - 4 POS.

NOTE:

MATERIAL

HOUSING: PBT UL94V-0, BLACK  
 CONTACT: BRASS  
 NUT: BRASS  
 SHELL: BRASS  
 O-RING: EPDM

FINISH

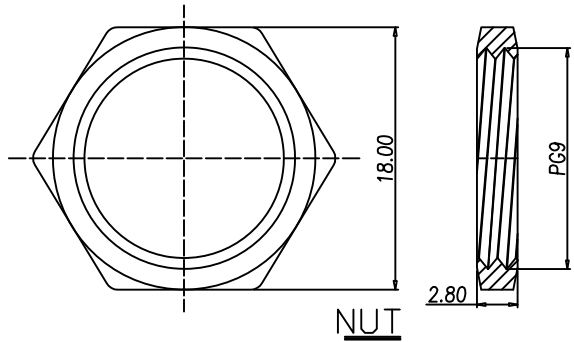
CONTACT: GOLD PLATED  
 OVER 50µ" NICKEL  
 NUT: NICKEL PLATED  
 SHELL: NICKEL PLATED

ELECTRICAL

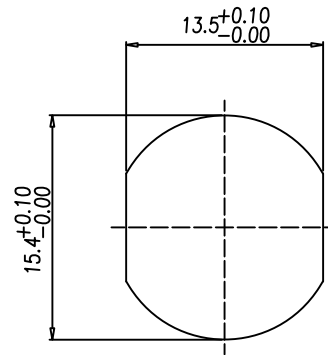
RATED CURRENT: 4A  
 RATED VOLTAGE: 250V  
 INSULATION RESISTANCE: 100 MΩhms MIN.  
 CONTACT RESISTANCE: 10 mΩhms MAX.  
 WATER PROOF: IP67

ENVIRONMENT

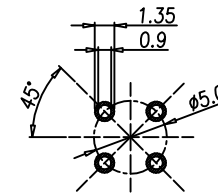
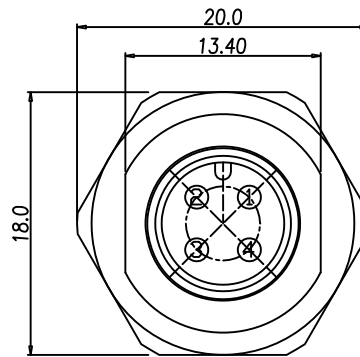
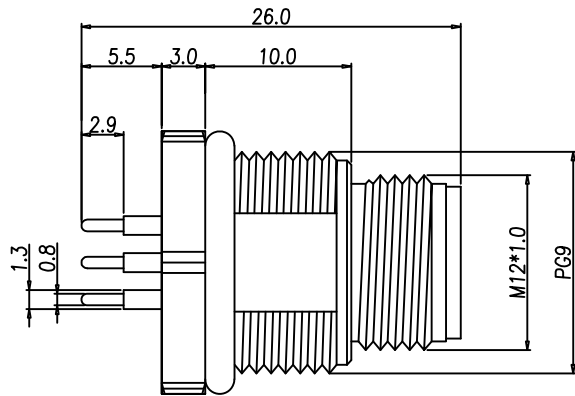
OPERATION TEMPERATURE: -40°C TO +85°C



NUT



RECOMMEND PANEL CUT-OUT

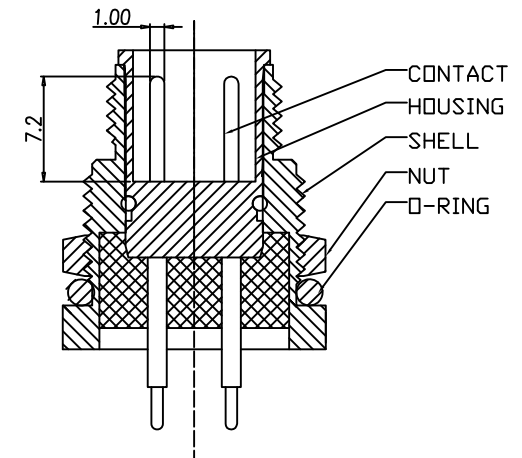


RECOMMEND P.C.B LAYOUT

860-004-113R00Y

3 = BRASS/NICKEL SHELL & NUT  
 S = STAINLESS STEEL SHELL & NUT

1 = GOLD FLASH  
 4 = 10µ" GOLD



RoHS COMPLIANT

UNITS = mm

DO NOT SCALE FROM DRAWING



THESE DRAWINGS AND SPECIFICATIONS ARE THE PROPERTY OF NorComp AND SHALL NOT BE REPRODUCED, COPIED OR USED AS THE BASIS FOR THE MANUFACTURE OR SALE OF APPARATUS WITHOUT WRITTEN PERMISSION.

DRAWN:

M. SIGMON

DATE:

03-07-16

NorComp

SCALE: NTS

SHEET 1 OF 1

REV 3

DWG NO.

860-004-113R00Y