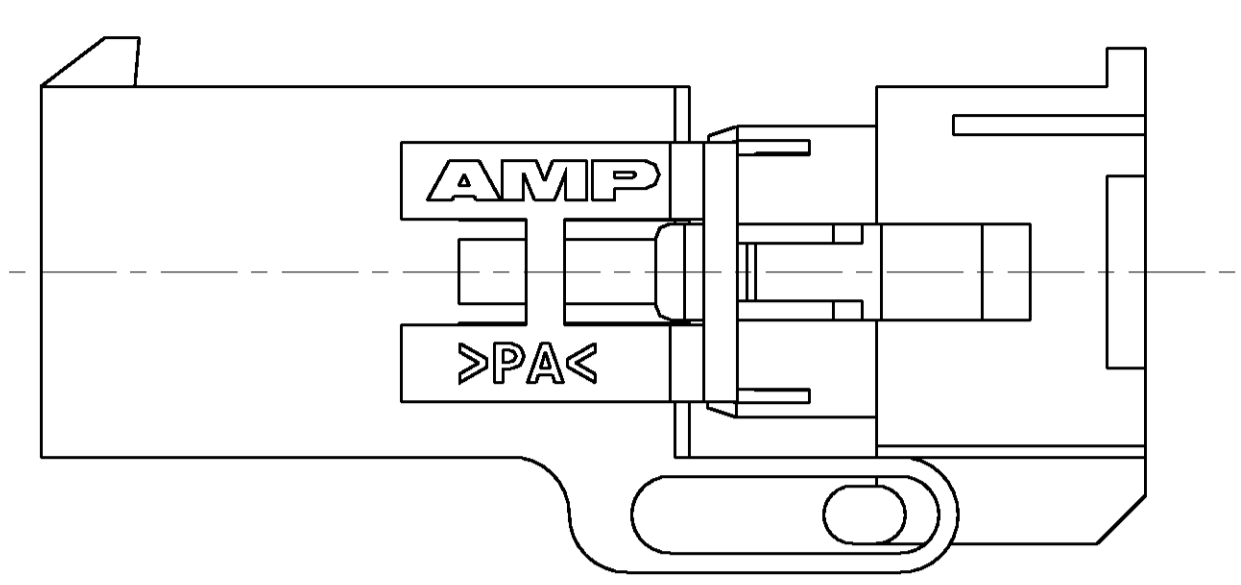
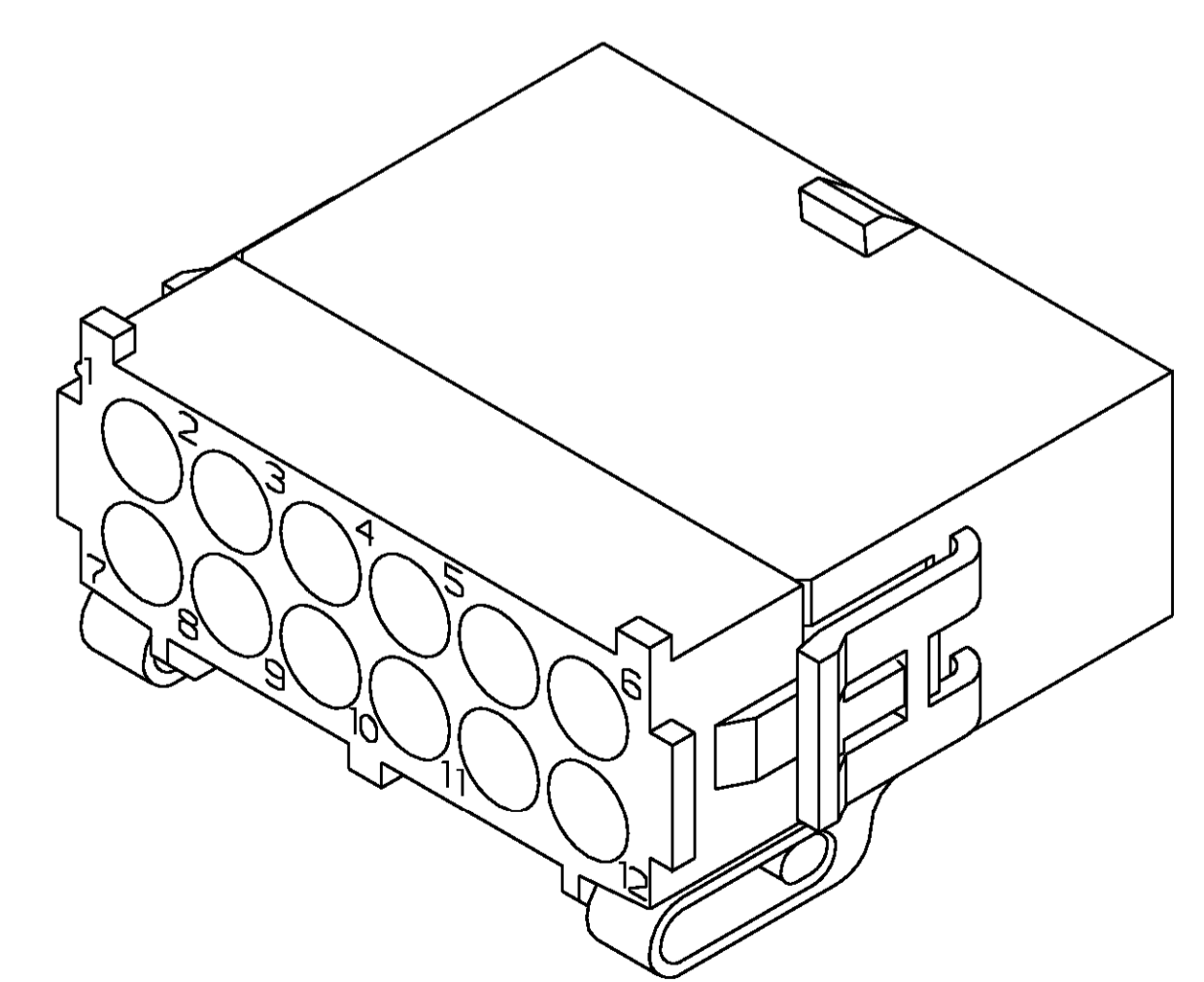
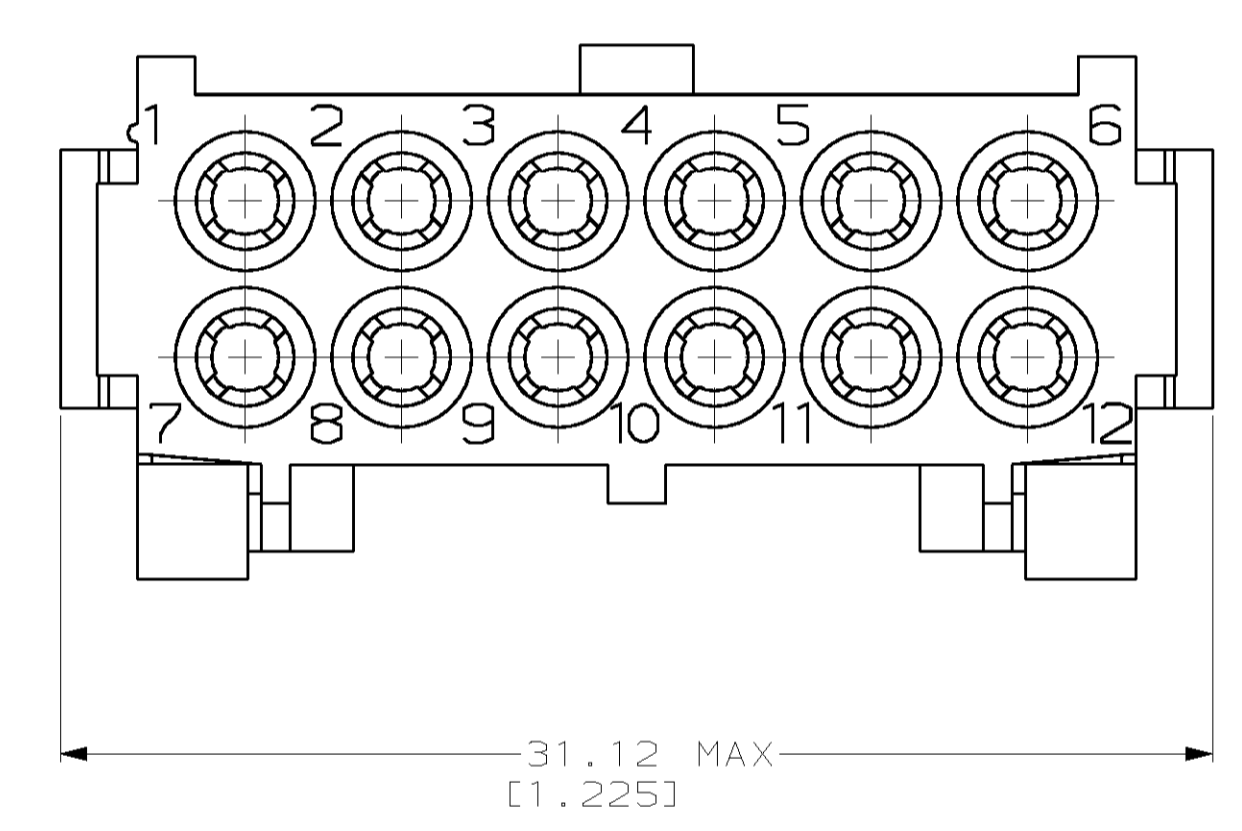
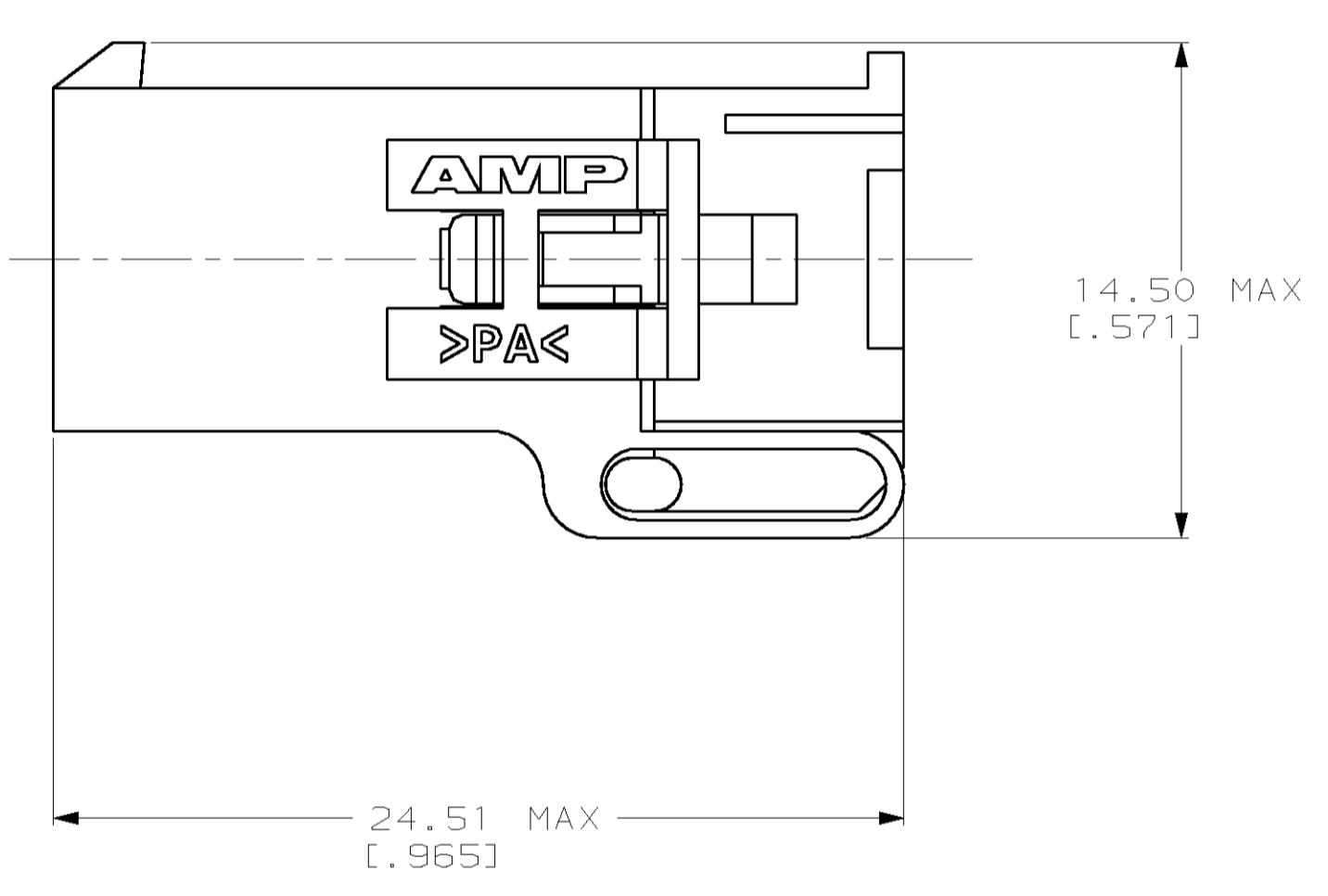
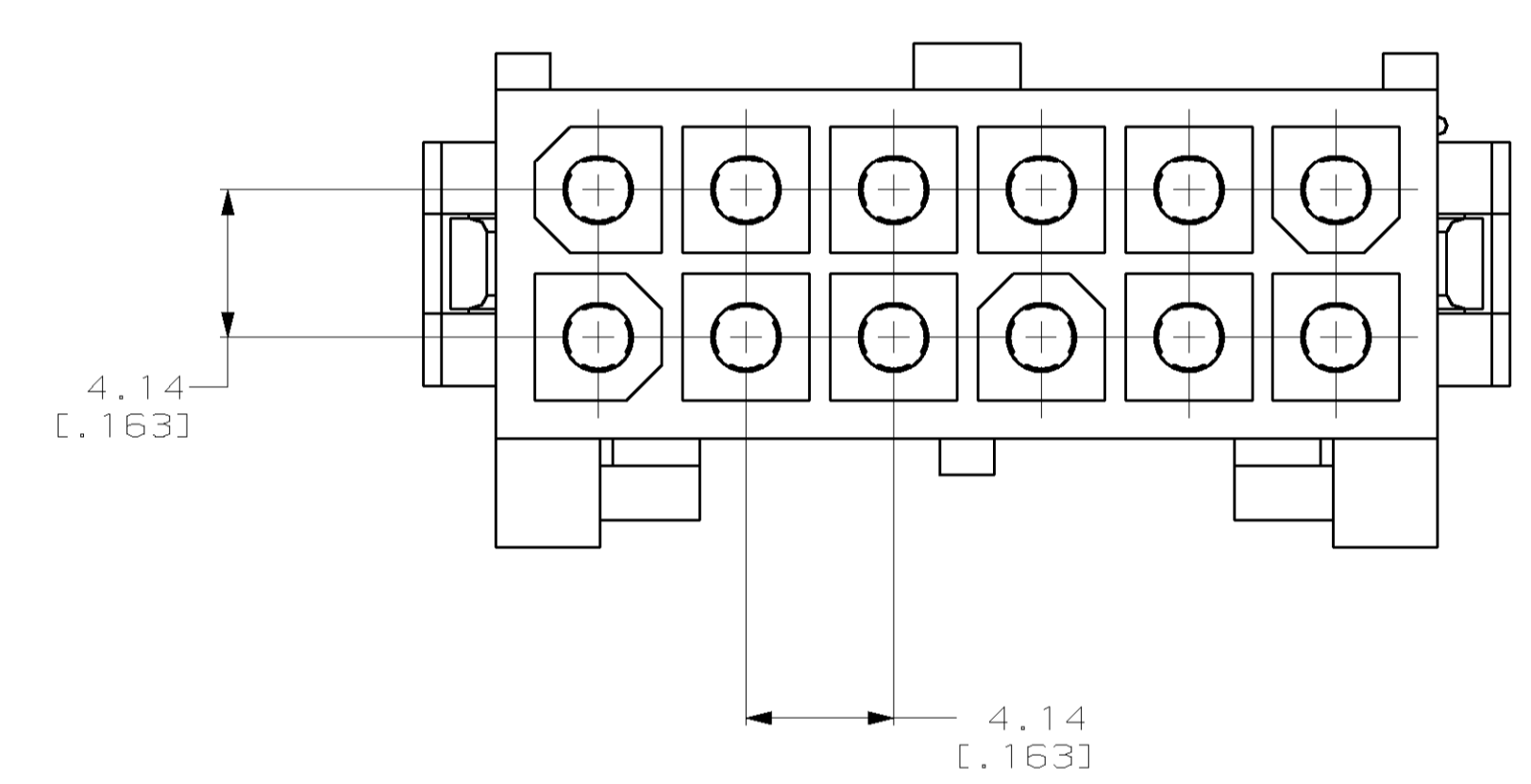


LOC	DIST	REVISIONS			
F	CHR	DESCRIPTION	DATE	OWN	APVD
B		REV PER EC 061B-0094-99	23-SEP-99	KW	KC

1. DIMENSIONS IN BRACKETS ARE IN INCHES.



PRE-STAGED CONDITION



3-DIMENSIONAL MODEL  
NTS

794252-1  
PART NUMBER



THIS DRAWING IS A CONTROLLED DOCUMENT.		DWN K. WHITAKER 5-15-97	<b>AMP</b> AMP Incorporated Harrisburg, PA 17105-3608
DIMENSIONS:		CHK R. SWING 5-15-97	
mm	TOLERANCES UNLESS OTHERWISE SPECIFIED:	APVD S. ORSTAD 5-15-97	NAME CAP,
0 PLC	±	PRODUCT SPEC	DUAL ROW, 12 CIRCUIT,
1 PLC	±	APPLICATION SPEC	MINI UNIVERSAL MATE-N-LOK™ 2
2 PLC	±	SIZE	A1
3 PLC	±0.13 (.005)	CAGE CODE	00779
4 PLC	±	DRAWING NO	794252
ANGLES	±	RESTRICTED TO	-
MATERIAL NYLON, UL 94V-2, NATURAL	FINISH -	WEIGHT -	CUSTOMER DRAWING
SCALE 5:1		SHEET 1 OF 1	REV B