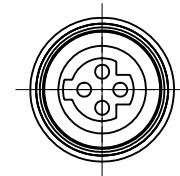
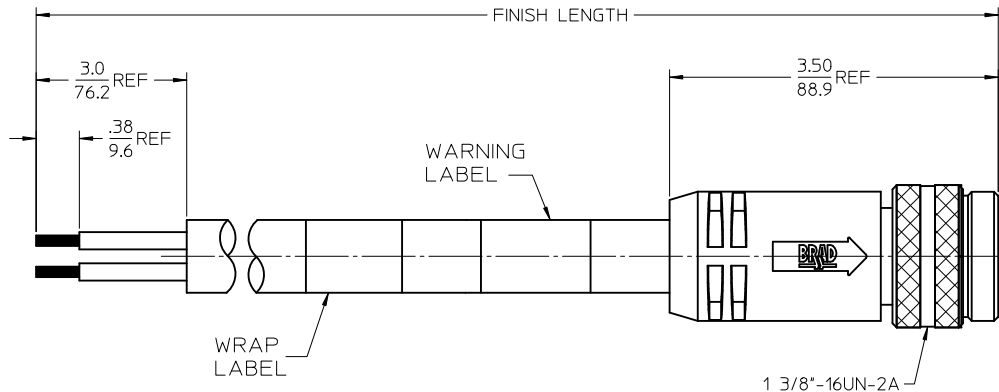
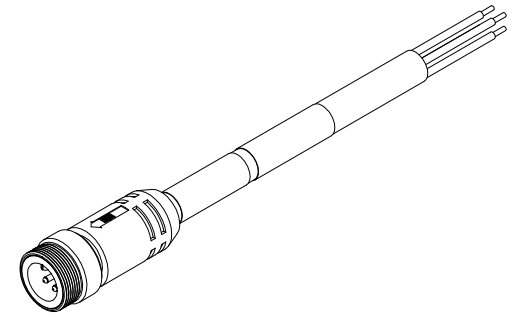
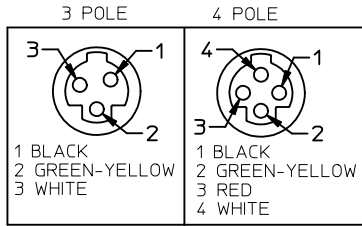


POLES	MATERIAL NO.	ENG. NO.	AMPS	LENGTH
3	1300630200	C03106A48M020	30	2M +89-0MM (6'7"+3.50-0)
4	1300630012	C04106A48M020	25	2M +89-0MM (6'7"+3.50-0)

FACE VIEW-MALE INSERT



SPECS:  
 OVERMOLD: GRAY PVC W/BLACK STRIP  
 INSERT: BLACK PVC  
 COUPLING NUT: ANODIZED ALUMINUM  
 CABLE: #10AWG GRAY PVC  
 DUAL RATED UL TC/OPEN WIRING & STOOV  
 ELECTRICAL: 600V AC/DC

CREATE DOC EC NO: WNAZ010-0435 DRWN:BRUPERT 2010/01/14 CHKD:BRUPERT 2010/01/15 APPR: JFMURPHY 2010/01/15	QUALITY SYMBOLS ▽=0 ▽=0	GENERAL TOLERANCES (UNLESS SPECIFIED)		DIMENSION STYLE IN/MM	SCALE	DESIGN UNITS INCH	THIRD ANGLE PROJECTION		
		4 PLACES ± --- ± ---	3 PLACES ± --- ± ---	2 PLACES ± --- ± ---	1 PLACE ± --- ± ---	DRAWN BY B. RUPERT	DATE 01/12/2010	CHECKED BY B. WOODMAN	DATE 01/12/2010
REV A	DESCRIPTION	DRAFT WHERE APPLICABLE MUST REMAIN WITHIN DIMENSIONS		ANGULAR ±1/2°	APPROVED BY JFMURPHY	DATE 2010/01/15	MATERIAL NO. SEE CHART	DOCUMENT NO. SD-130063-200	SHEET NO. 1 OF 1