

| MATERIAL NO. | ENGINEERING NO. | FINISHED LENGTH |
|--------------|-----------------|-----------------------|
| 1300640447 | CC3030K19M010E | 1M (3 FT 3.37 IN) |
| 1300642064 | CC3030K19M900G | 90M (295 FT 3.31 IN) |
| 1300642110 | CC3030K19T200E | 200M (656 FT 2.02 IN) |

CABLE LENGTH TOLERANCES

<.3M [1FT]: +19mm-0 [+ .75in-0]

.3 - .9M [1 - 3FT]: +44.5mm-0 [+1.75in-0]

.9 - 1.8M [3 - 6FT]: +55.6mm-0 [+2.19in-0]

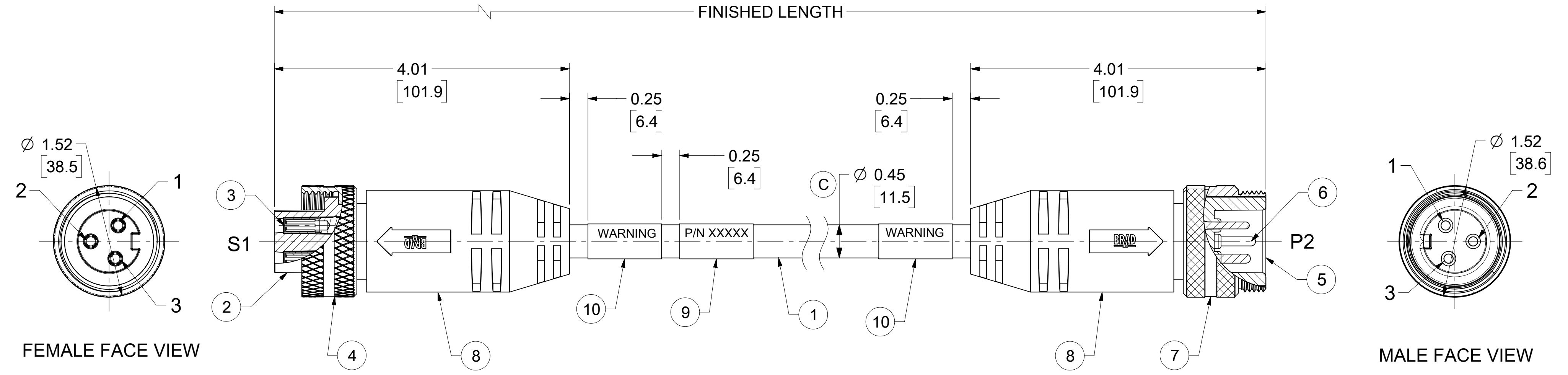
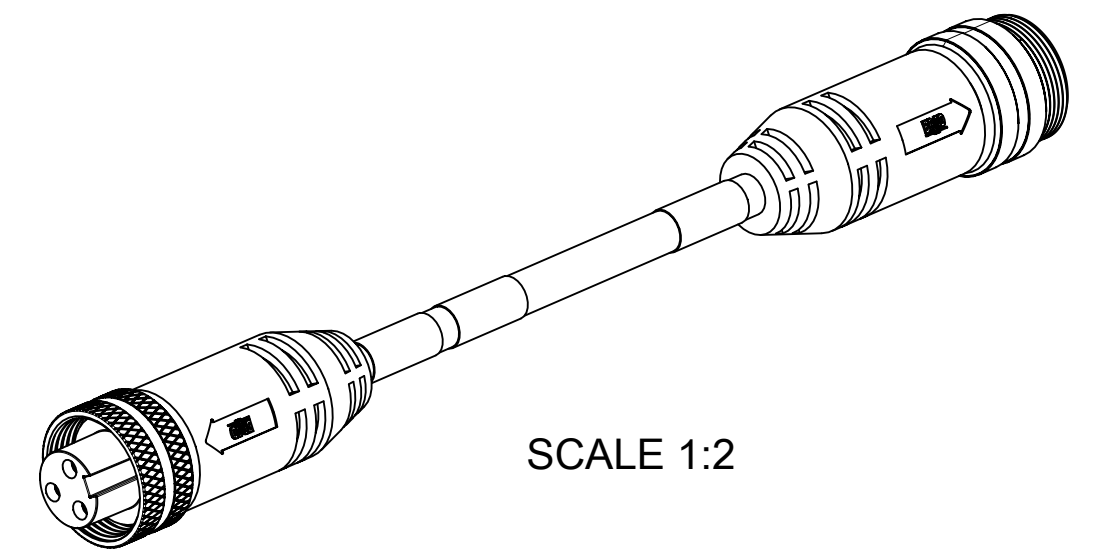
1.8 - 3.7M [6 - 12FT]: +88.9mm-0 [+3.50in-0]

3.7 - 7.3M [12 - 24FT]: +165.1mm-0 [+6.50in-0]

7.3-14.6M [24 - 48FT]: +317.5mm-0 [+12.50in-0]

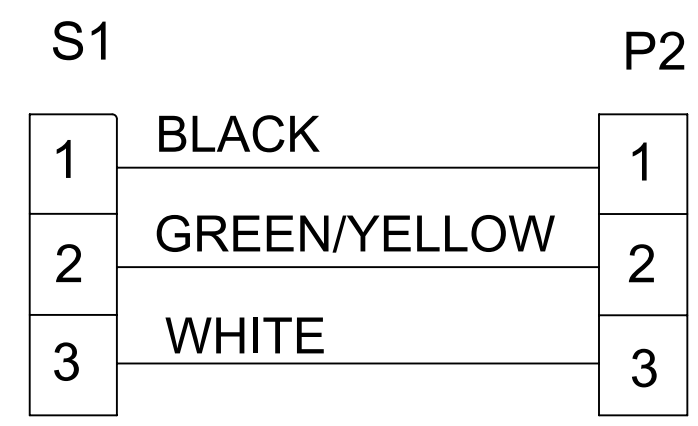
14.6 - 30.5M [48-100FT]: +622.3mm-0 [+24.50in-0]

OVER 30M [100FT] +2% OF FINISHED LENGTH



- NOTES:**
1. MATERIAL: AS NOTED
 2. FINISH: AS NOTED
 3. ELECTRICAL:
VOLTAGE: 630V PER IEC60664
600V PER UL2237
CURRENT: 32A
 4. TEMP RATING: -20°C TO +90°C
 5. PROTECTION: IP67 (WHEN MATED)
 6. UL LISTED FILE: 258922
 7. COUPLING THREAD: 1 3/8"-16 UN
 8. ALL DIMS ARE FOR REFERENCE UNLESS TOLERANCED OR NOTED OTHERWISE

WIRING DIAGRAM



PART NUMBER LEGEND

CC3030K19M010E

- OVERMOLD OPTION
E=RED
G=BLACK
- FINISHED LENGTH
M001 = 0.1 METER
M010 = 1.0 METER
M100 = 10.0 METER
T100 = 100 METER

| ITEM | DESCRIPTION | MATERIAL | FINISH |
|------|---------------------|-----------|------------------|
| 10 | WARNING LABEL | VINYL | ORANGE/BLACK |
| 9 | WRAP LABEL | VINYL | BLACK/YELLOW |
| 8 | OVERMOLDS | TPE | SEE LEGEND |
| 7 | MALE COUPLING NUT | ALUMINIUM | CLEAR ANODIZE |
| 6 | CONTACT PIN | Cu ALLOY | GOLD OVER NICKEL |
| 5 | MALE INSERT | TPE | BLACK |
| 4 | FEMALE COUPLING NUT | ALUMINIUM | CLEAR ANODIZE |
| 3 | SOCKET CONTACT | Cu ALLOY | GOLD OVER NICKEL |
| 2 | FEMALE INSERT | TPE | BLACK |
| 1 | #10-3, CABLE, TC-ER | TPE | BLACK |

| | | | | |
|--|---|---|--------------------------|---|
| FUNCTIONAL SYMBOLS | THIS DRAWING CONTAINS INFORMATION THAT IS PROPRIETARY TO MOLEX ELECTRONIC TECHNOLOGIES, LLC AND SHOULD NOT BE USED WITHOUT WRITTEN PERMISSION | CURRENT REV DESC: UPDATED ITEM #2, 5 & 8 WERE PVC, MATERIAL TABLE, TOL. TABLE & PART NO. LEGEND. ADDED CABLE DIA. | | <p>BRAD POWER, M35 3 POLE, FEMALE/MALE, STRAIGHT, SINGLE KEY, 10AWG</p> |
| | DIMENSION UNITS | SCALE | EC NO: 709714 | |
| | INCH/MM | 1:1 | DRWN: VHANDI 2020/05/29 | |
| | GENERAL TOLERANCES (UNLESS SPECIFIED) | | CHK'D: RSTONE 2022/06/08 | |
| DIVISIONAL SYMBOLS | 4 PLACES ± | MM | INCH | APPR: BWOODMAN 2022/06/14 |
| | 3 PLACES ± | | | INITIAL REVISION: |
| | 2 PLACES ± | | | DRWN: B.RUPERT 2001/12/10 |
| | 1 PLACE ± | | | APPR: BWOODMAN 2014/09/04 |
| 0 PLACES ± | | | | <p>DOCUMENT NUMBER: SD-130064-005</p> <p>DOC TYPE: PSD DOC PART: 001 REVISION: C</p> |
| ANGULAR TOL ± ° | | | | <p>MATERIAL NUMBER: SEE TABLE</p> <p>CUSTOMER: GENERAL MARKET</p> <p>SHEET NUMBER: 1 OF 1</p> |
| DRAFT WHERE APPLICABLE MUST REMAIN WITHIN DIMENSIONS | THIRD ANGLE PROJECTION | DRAWING | SERIES | |
| | | C-SIZE | 130064 | |