



**ANATECH ELECTRONICS INC**  
RF & Microwave Filters & Products

## 707 KHz LC Band Pass Filter

**Part Number: AE707KB5440**



### Electrical Specifications

**Center Frequency:** 707 KHz  
**3dB Passband:** 594-840 KHz  
**Insertion Loss:** 4.0 dB Max.  
**Return Loss:** 14 dB Min.  
**Rejection1:** 40dB Min @ 500 KHz  
**Rejection2:** 40dB Min @ 995 KHz  
**Power Handling :** 10 W

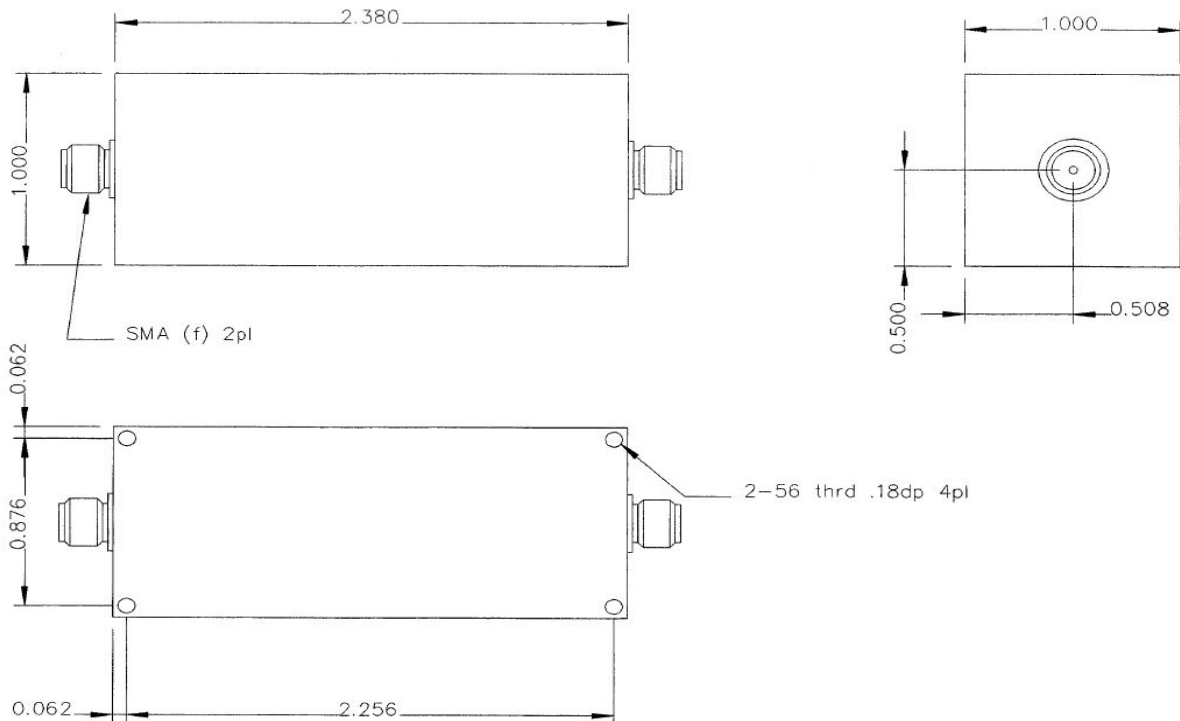
### Mechanical

**Mounting Method:** Threaded Holes  
**Connector Type:** SMA(F)  
**Dimensions:** 2.38" X 1.0" x 1.0".

### Environmental

**Operating Temperature:** -25°C to +70°C  
**Storage Temperature:** -40°C to +90°C  
**Shock:** 10 G. 11ms  
**Vibration:** 10 G. 5 to 200Hz

### Outline Drawing:



Tolerance: +/-0.01 inches [+/- 0.3mm]

Angles: +/- 1 Deg.

*\*Tolerance as shown unless otherwise specified in the datasheet electrical specification tables above.*

*\*When max dimensions are called out the above tolerances do not apply as long as it is under the max call out.*

**70 Outwater Lane Phone: (973) 772-4242**  
**Garfield, NJ 07026 Fax : (973) 321-3941**

**Email: [sales@anatechelectronics.com](mailto:sales@anatechelectronics.com)**  
**Web: [www.anatechelectronics.com](http://www.anatechelectronics.com)**



**ANATECH ELECTRONICS INC**  
RF & Microwave Filters & Products

# 707 KHz LC Band Pass Filter

Part Number: AE707KB5440

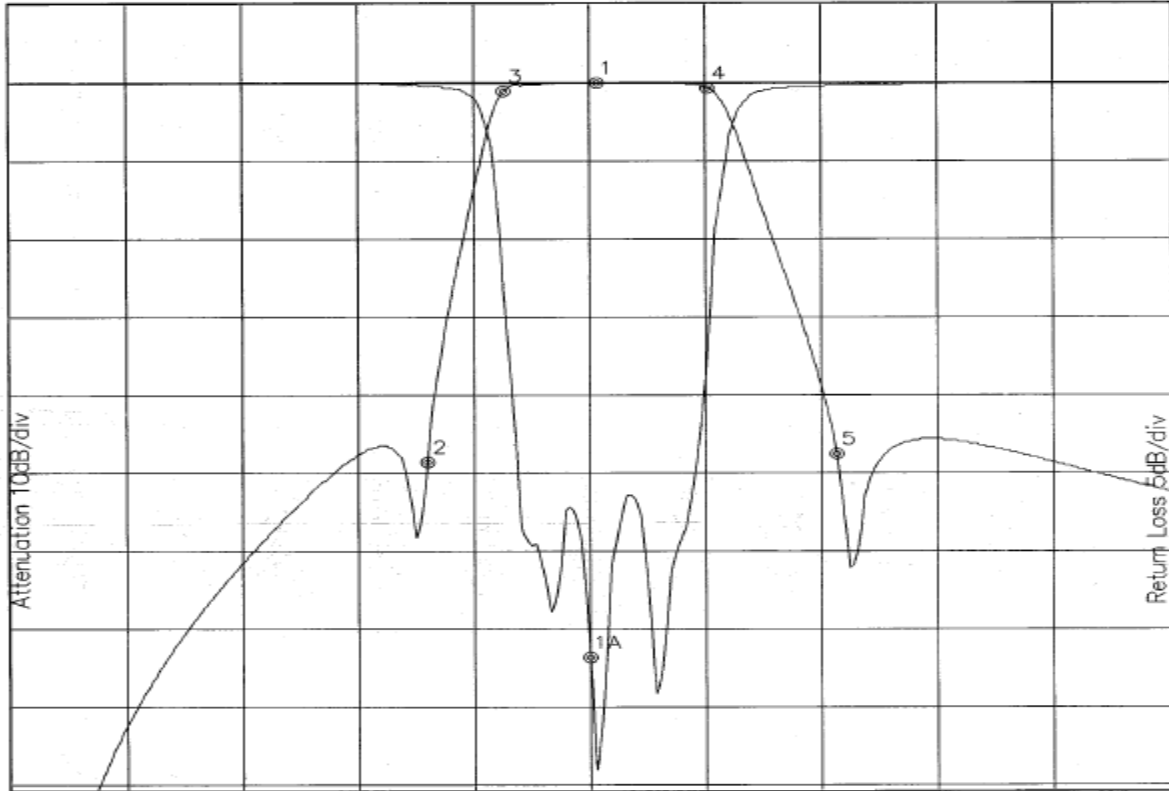


## Simulation Plot:

B5440.lad

AUG 15, 2000

Attenuation/Return Loss



Attenuation Start: 0.0Hz Stop: 1.40MHz

Return Loss Start: 0.0Hz Stop: 1.40MHz

Offset: -0.6521dB

- Marker 1 Freq 707.91kHz Atten 0.060dB
- Marker 2 Freq 502.10kHz Atten -48.686dB
- Marker 3 Freq 594.83kHz Atten -1.114dB
- Marker 4 Freq 841.35kHz Atten -0.641dB
- Marker 5 Freq 997.41kHz Atten -47.572dB

Marker 1A Freq 698.86kHz Ret Loss -36.882dB

Note: This is a simulated response plot. Actual performance might differ.