



# Lithium Primary - CR123A

- Reliable energy for your application
- Standard cells and customized packs
- ESD protection
- UL recognized
- Battery Certification Experts



RoHS compliant Pb free



REACH compliant



Conflict mineral free

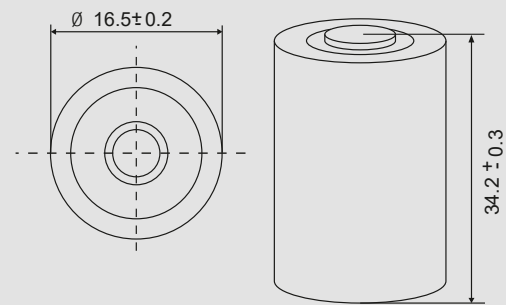
## Technical Data Sheet · CR123A

### SPECIFICATIONS

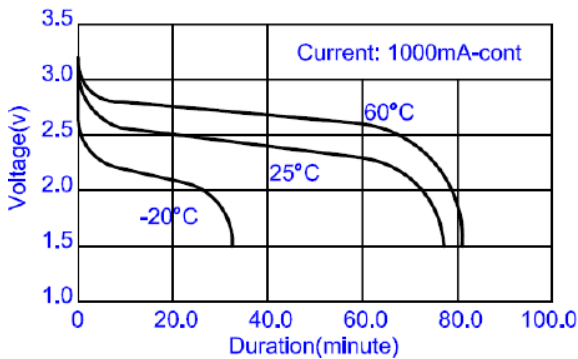
Nominal Voltage	3V
Jauch part number	245719
Nominal Capacity	1600 mAh
Continuous Standard Load	1 mA
Max. Continuous Discharge	1500 mA
Max. Pulse Current	3500 mA
Operating Temperature	-40 °C to +70 °C*
Weight	Approx. 16.5g
Chemistry	Li/MnO <sub>2</sub>

\* In applications where the battery is exposed to temperatures >60°C, please contact Jauch.

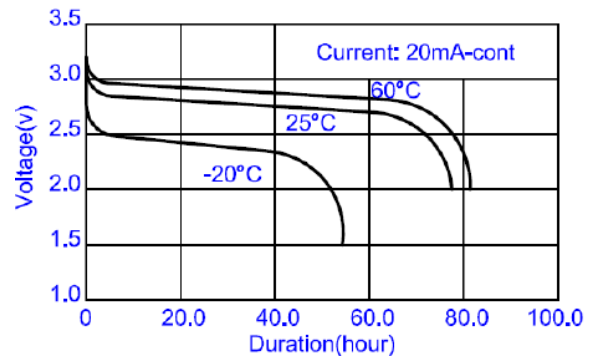
### DIMENSIONS (mm)



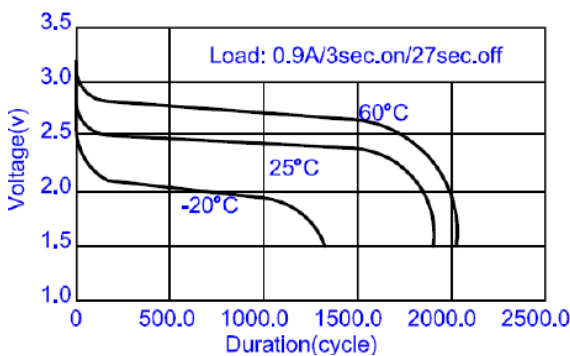
### DISCHARGE CHARACTERISTICS



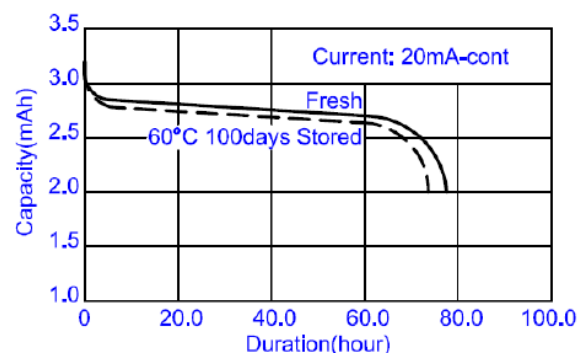
### DISCHARGE CHARACTERISTICS



### PULSE DISCHARGE CHARACTERISTICS



### DISCHARGE CHARACTERISTICS



Wide assortment of mounting options, including through hole, surface mount and wire terminals. Contact Jauch for more information  
[batterytechnology@jauch.com](mailto:batterytechnology@jauch.com)