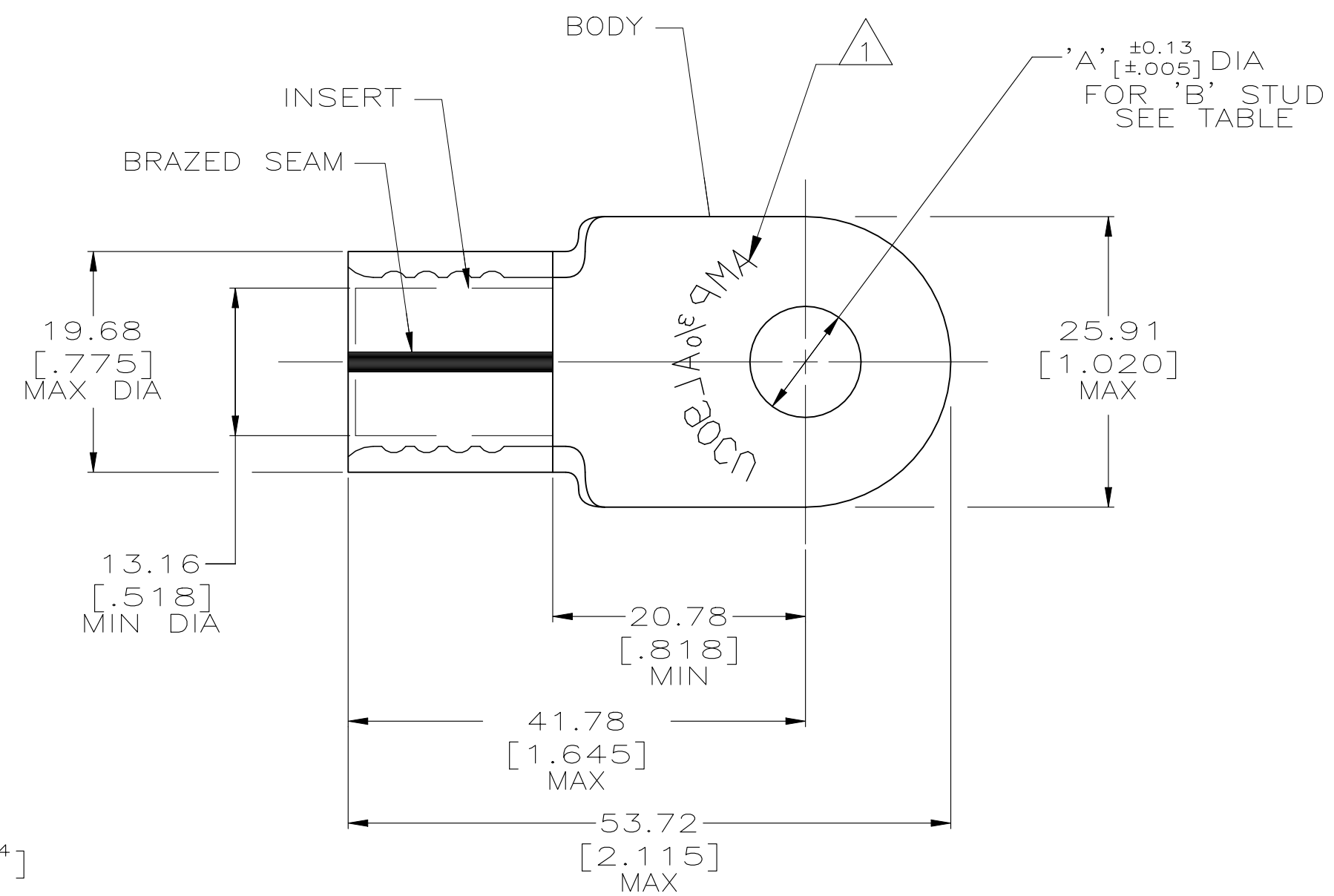


WARNING - THIS DOCUMENT CONTAINS TECHNOLOGY WHOSE EXPORT IS RESTRICTED BY THE EXPORT ADMINISTRATION REGULATIONS ("EAR") PURSUANT TO 15 C.F.R. PARTS 730-774. VIOLATIONS OF THE EAR ARE SUBJECT TO SEVERE CRIMINAL PENALTIES UNDER THE EXPORT CONTROL REFORM ACT, AS AMENDED (TITLE 50, U.S.C., SEC. 4801, ET SEQ.).

REVISIONS				
P	LTR	DESCRIPTION	DATE	APVD
L		REV PER ECN-23-196899	26MAY2023	JAB PD



- 1 STAMP AMP 3/0 AL90CU APPROX AS SHOWN
- 2 TONGUE MATERIAL THK: 2.31<sup>±0.10</sup> [.091<sup>±.004</sup>]

	13.08 [.515]	1/13 [1/2]	BODY: COPPER PER ASTM B-152 TIN PL 0.00254[.000100] MIN THK PER MIL-T-10727	51992-3
OBSOLETE	-	-		51992-2
	9.91 [.390]	3/10 [3/8]	INSERT: BRASS PER MIL-C-50 TIN PL 0.00076[.000030] MIN EXT THK PER MIL-T-10727	51992-1
OBSOLETE	-	-		51992
	'A'	'B'	MATERIAL & FINISH	PART NO

AMP INCORPORATED CUSTOMER SERVICE SYSTEMS		MAX RECOMMENDED OPERATING TEMPERATURE: 150° C MAX
FOR ADDITIONAL PRODUCT INFORMATION OR COPIES OF DRAWINGS AND TECHNICAL DOCUMENTS	PRODUCT INFORMATION CENTER 1-800-522-6752	VOLTAGE RATING: NOT APPLICABLE
FOR APPLICATION TOOLING INFORMATION	TOOLING ASSISTANCE CENTER 1-800-722-1111	CIRCULAR MIL AREA: 76.3-96.3mm² [150,500-190,000] CIR MILS SOLID OR STRANDED
FOR ORDER ENTRY	1-800-526-5142	THIS DRAWING IS A CONTROLLED DOCUMENT FOR AMP INCORPORATED. IT IS SUBJECT TO CHANGE AND THE CONTROLLING ENGINEERING ORGANIZATION SHOULD BE CONTACTED FOR THE LATEST REVISION.

THIS DRAWING IS A CONTROLLED DOCUMENT.		DWN DK_SCHRUM 8/3/93	TE Connectivity	
DIMENSIONS: mm [INCHES]		CHK AJ KAUFMAN 8/9/93	NAME TERMINAL, RING TONGUE, COPALUM TM	
TOLERANCES UNLESS OTHERWISE SPECIFIED: 0 PLC ± - 1 PLC ± - 2 PLC ± 0.20[.008] 3 PLC ± - 4 PLC ± - ANGLES ± -		APVD -	PRODUCT SPEC -	APPLICATION SPEC -
MATERIAL SEE TABLE	FINISH SEE TABLE	WEIGHT 0.000000	SIZE A2	CAGE CODE 00779
CUSTOMER DRAWING		SCALE 2:1	DRAWING NO C-51992	RESTRICTED TO -
		SHEET 1 OF 1	REV L	