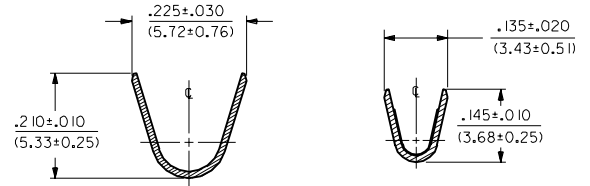
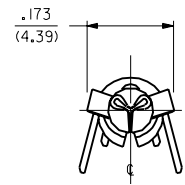
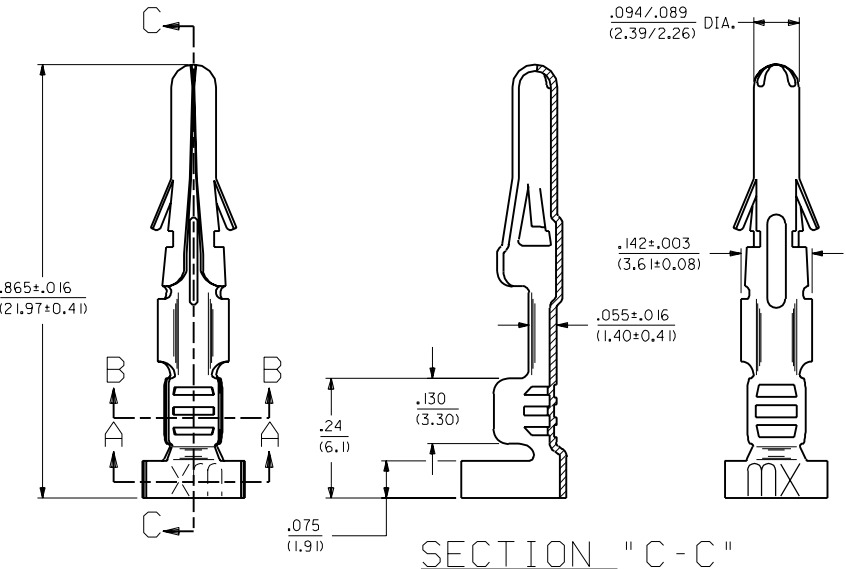


PART NO.	ENG. NO.
02-09-2111	7239-(P901)
02-09-2112	7239-(P901)L
-	-
-	-
-	-



SECTION "A" SECTION "B"

**LEGEND**  
 7239-(\*\*\*\*)\*  
 P=PREPLATE BLANK=POSTPLATE  
 FORM BLANK=CHAIN L=LOOSE  
 FINISH CODE



SECTION "C-C"

- NOTES:  
 1. TERMINAL FOR USE WITH .093/(2.36) SERIES HOUSINGS AND WILL ACCEPT 14 THRU 18 AWG WIRE.  
 2. THIS PART CONFORMS TO PROD. SPEC. 02-09.

MATERIAL:  
 CARTRIDGE BRASS, ALLOY #C26000,  
 .013/(0.33) THICK, SPRING TEMPER.

FINISH CODES:  
 901 HOT TIN DIP .000020/(0.0005) MIN.



EI	REVISED ECN# UCR1999-0518 STAMBAUGH 99-2-3
E	REVISED & REDRAWN ECR #2 0081 3/4/92 RW

DIMENSIONS SHOWN (METRIC) INCH		TITLE	
UNLESS OTHERWISE SPECIFIED TOLERANCES: ANGULAR ± 1/2°		CRIMP TERMINAL, MALE	
		.093/(2.36) DIA.	
		FOR 14 THRU 18 AWG WIRE	
3 PLACE ± .010 ---		SHEET NO. DATE	
2 PLACE ± .014 ± 0.25		1 OF 1 6/17/91	
1 PLACE --- ± 0.35		MOLEX INCORPORATED	
DRAFT WHERE APPLICABLE MUST REMAIN WITHIN DIMENSIONS		L15LEJLL 60532 U.S.A.	
DRWG. BY: CWF		DRWG. NO. SD-7239-*	
CHKD. BY: RW		FILE NAME: SD7239X1	
SCALE: 6:1		DIV. SIZE: CP C	