

AWR1642 Obstacle Detection Sensor (AWR1642BOOST-ODS) Single-Chip mmWave Sensing Solution

The AWR1642 Obstacle Detection Sensor from Texas Instruments is an easy-to-use evaluation board for the AWR1642 mmWave sensing device, with direct connectivity to the microcontroller (MCU) LaunchPad™ Development Kit. The Obstacle Detection Sensor contains everything required to start developing software for on-chip C67x DSP core and low-power ARM® R4F controllers, including onboard emulation for programming and debugging as well as onboard buttons and LEDs for quick integration of a simple user interface.

Contents

1	Getting Started	2
	1.1 Introduction	2
	1.2 Key Features	2
	1.3 Kit Contents.....	2
2	Hardware.....	3
	2.1 Block Diagram.....	5
	2.2 Power Connections.....	6
	2.3 Connectors	6
	2.4 PC Connection.....	10
	2.5 Connecting the Obstacle Detection Sensor to the LaunchPad or the MMWAVE-DEVPACK.....	11
	2.6 Antenna.....	11
	2.7 Jumpers, Switches, and LEDs.....	13
3	Design Files and Software Tools.....	17
	3.1 Hardware	17
	3.2 Software, Development Tools, and Example Code.....	17
4	Design Revision History	17
5	Mechanical Mounting of PCB.....	18
6	PCB Storage and Handling Recommendations	18
7	Troubleshooting	18

Trademarks

LaunchPad, Code Composer Studio are trademarks of Texas Instruments.
 ARM is a registered trademark of ARM Limited.
 Windows is a registered trademark of Microsoft Corporation.
 All other trademarks are the property of their respective owners.

1 Getting Started

1.1 Introduction

The AWR1642 Obstacle Detection Sensor from Texas Instruments is an easy-to-use evaluation board for the AWR1642 mmWave sensing device, with direct connectivity to the microcontroller (MCU) LaunchPad Development Kit. The Obstacle Detection Sensor contains everything required to start developing software for on-chip C67x DSP core and low-power ARM R4F controllers, including onboard emulation for programming and debugging as well as onboard buttons and LEDs for quick integration of a simple user interface.

The standard 20-pin BoosterPack headers make the device compatible with a wide variety of TI MCU LaunchPads and enables easy prototyping.

1.2 Key Features

- Two 20-pin LaunchPad connectors that leverages the ecosystem of the TI LaunchPad
- XDS110 based JTAG emulation with a serial port for onboard QSPI flash programming
- Back-channel UART through USB-to-PC for logging purposes
- Onboard antenna
- 60-pin, high-density (HD) connector for raw analog-to-digital converter (ADC) data over LVDS and trace-data capability
- Onboard CAN-FD transceiver
- One button and two LEDs for basic user interface
- 5-V power jack to power the board

1.3 Kit Contents

The following items are included with the AWR1642BOOST-ODS kit.

- AWR1642BOOST-ODS evaluation board
- Mounting brackets, screws, and nuts to place the printed-circuit board (PCB) vertical
- Micro USB cable to connect to PC

NOTE: A 5-V, > 2.5-A supply brick with a 2.1-mm barrel jack (center positive) is not included. TI recommends using an external power supply that complies with applicable regional safety standards, such as UL, CSA, VDE, CCC, PSE, and more. The length of the power cable should be < 3 m.

2 Hardware

Figure 1 and Figure 2 show the front and rear view of the Obstacle Detection Sensor, respectively.

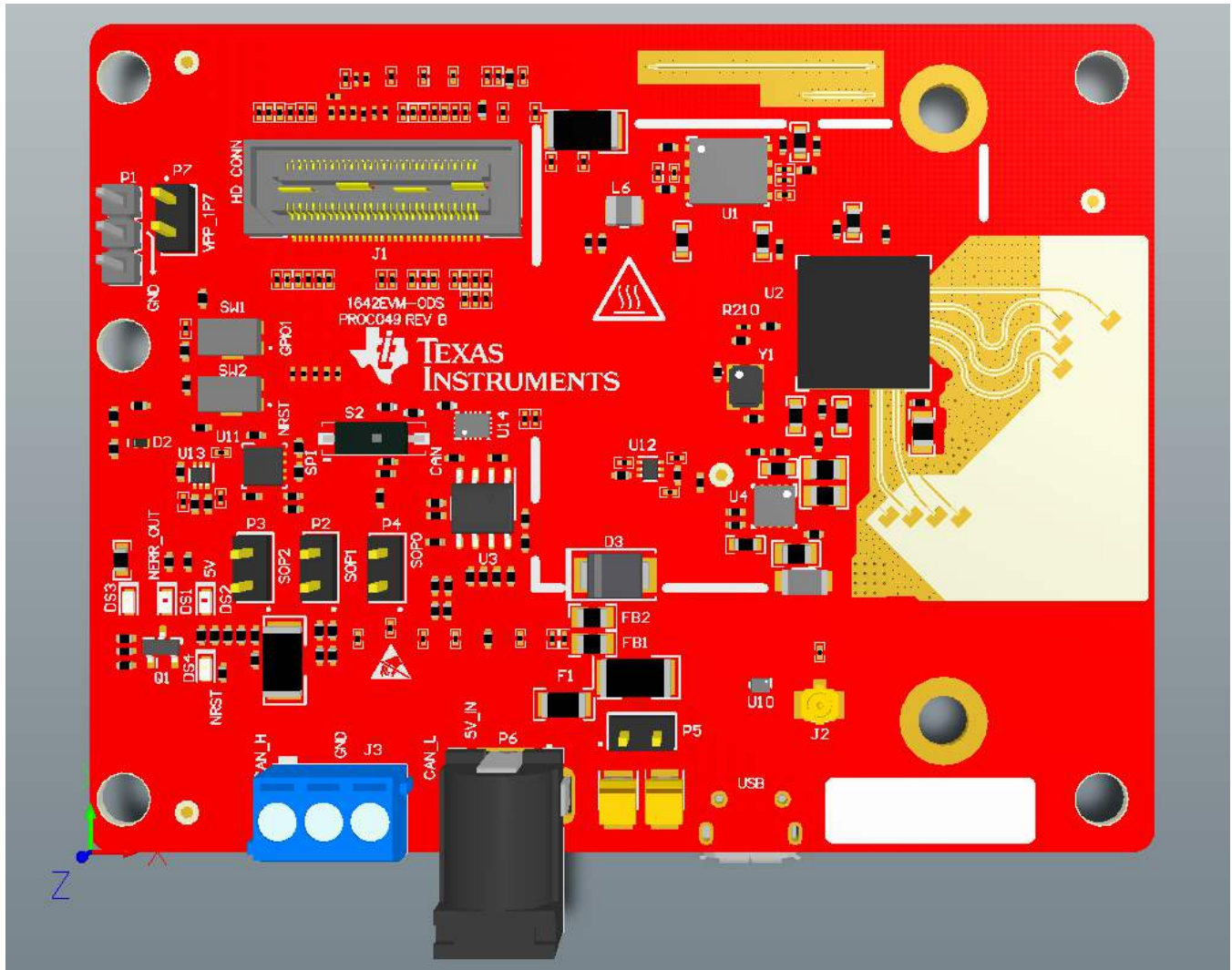


Figure 1. Obstacle Detection Sensor (Front)

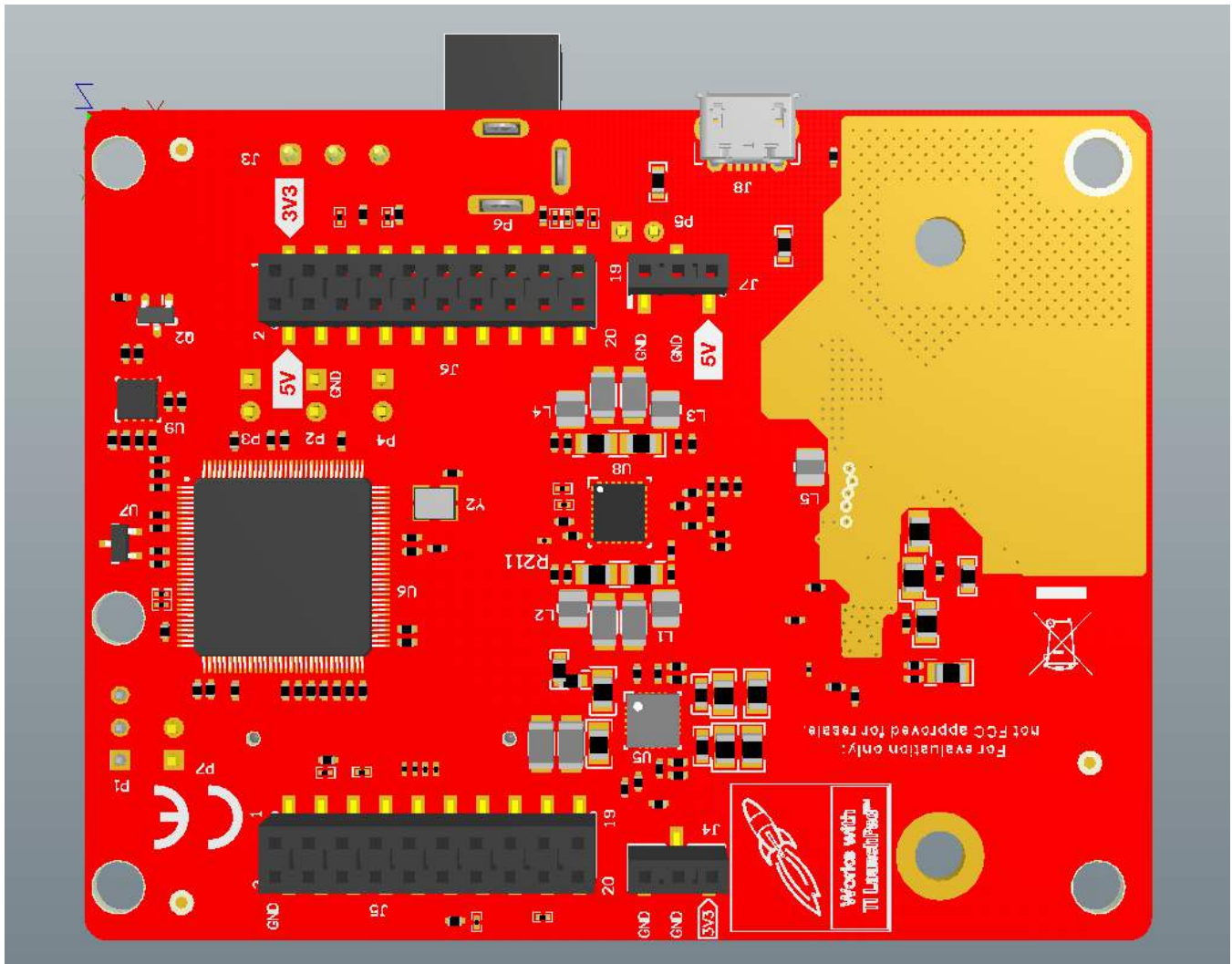
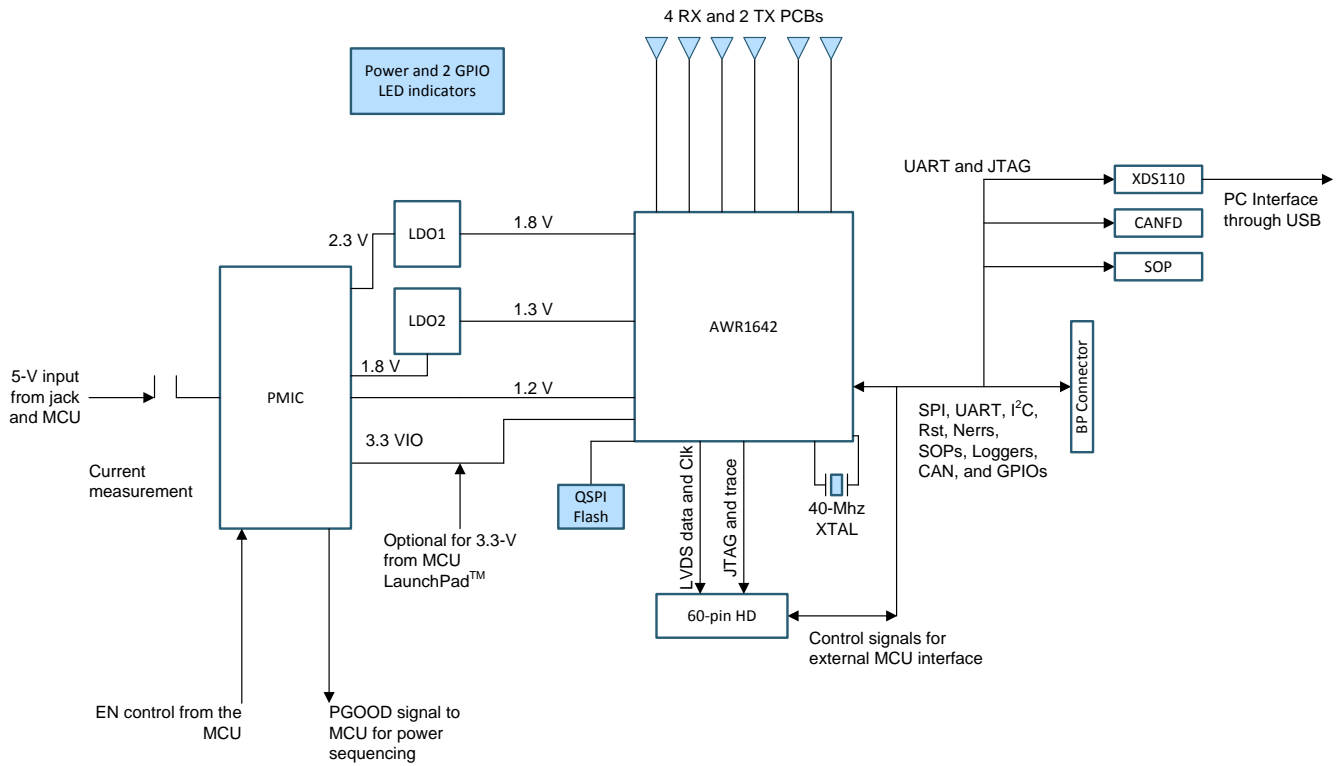


Figure 2. Obstacle Detection Sensor (Rear)

2.1 Block Diagram

Figure 3 shows the block diagram.



Copyright © 2017, Texas Instruments Incorporated

Figure 3. Block Diagram

2.2 Power Connections

The Obstacle Detection Sensor is powered by the 5-V power jack (5-A current limit), shown in [Figure 4](#). As soon as the power is provided, the NRST and 5-V LEDs should glow, indicating that the board is powered on.

NOTE: After the 5-V power supply is provided to the Obstacle Detection Sensor, it is recommended to press the NRST switch (SW2) one time to ensure a reliable boot-up state.



Figure 4. Power Connector

2.3 Connectors

2.3.1 20-Pin Obstacle Detection Sensor Connectors

The Obstacle Detection Sensor has the standard LaunchPad connectors (J5 and J6, shown in [Figure 5](#)) that enable it to be directly connected to all TI MCU LaunchPads. While connecting the Obstacle Detection Sensor to other LaunchPads, ensure the pin-1 orientation is correct by matching the 3V3 and 5-V signal marking on the boards.



Figure 5. 20-Pin Obstacle Detection Sensor Connectors

Table 1 and Table 2 provide the connector-pin information.

Table 1. J5 Connector Pin

Pin Number	Description	Pin Number	Description
1	NERROUT	2	GND
3	NERRIN	4	DSS_LOGGER
5	MCUCLK_OUT	6	SPI_CS
7	NC	8	GPIO01
9	MSS_LOGGER	10	nRESET
11	WARMRST	12	SPI_MOSI
13	BSS_LOGGER	14	SPI_MISO
15	SOP2	16	HOSTINT
17	SOP1	18	GPIO02
19	SOP0	20	NC

Table 2. J6 Connector Pin

Pin Number	Description	Pin Number	Description
1	3V3	2	5 V
3	NC	4	GND
5	RS232RX (Tx from AWR device)	6	ANA1 ⁽¹⁾
7	RS232RX (Rx into AWR device)	8	ANA2 ⁽¹⁾
9	SYNC_IN	10	ANA3 ⁽¹⁾
11	NC	12	ANA4 ⁽¹⁾
13	SPI_CLK	14	PGOOD (onboard VIO) ⁽²⁾
15	GPIO0	16	PMIC Enable ⁽³⁾
17	SCL	18	SYNC_OUT
19	SDA	20	PMIC_CLK_OUT

⁽¹⁾ Voltage input to the GPADC available on the AWR1642.

⁽²⁾ Indicates the state of the onboard VIO supply for the AWR device coming from the onboard PMIC. A HIGH on the PGOOD signal (3.3 V) indicates the supply is stable. Because the I/Os are not failsafe, the MCU must not drive any I/O signals to the AWR device before this I/O supply is stable to avoid leakage current into the I/Os.

⁽³⁾ Controls the onboard PMIC enable. The MCU can use this to shut down the PMIC and AWR device during the periods it does not use the AWR device and save power. The power up of the PMIC takes approximately 5 ms once the enable signal is made high.

2.3.2 60-Pin HD Connector

The 60-pin HD connector provides the high speed LVDS data, control signals (SPI, UART, I²C, NRST, NERR, SOPs) and JTAG debug signals. The connector can be connected to the MMWAVE-DEVPACK board to further get to the standard TSW1400 EVM. [Figure 6](#) shows the HD connector, and [Table 3](#) provides the connector information.



Figure 6. HD Connector

Table 3. J1 Connector Pin

Pin Number	Description	Pin Number	Description
1	5V	2	5V
3	5V	4	TDO
5	TDI	6	TCK
7	SPI_CS	8	TMS
9	SPI_CLK	10	HOSTINT
11	SPI_MOSI	12	SPI_MISO
13	PGOOD (onboard VIO) ⁽¹⁾	14	NERROUT
15	DMM_CLK	16	SYNC_IN
17	DMM_SYNC	18	GND
19	TRACE_DATA0	20	NC
21	TRACE_DATA1	22	NC
23	TRACE_DATA2	24	GND
25	TRACE_DATA3	26	LVDS_FRCLKP
27	TRACE_DATA4	28	LVDS_FRCLKM
29	TRACE_DATA5	30	GND
31	TRACE_DATA6	32	NC
33	TRACE_DATA7	34	NC
35	TRACE_DATA8	36	GND
37	TRACE_DATA9	38	NC
39	TRACE_DATA10	40	NC
41	TRACE_DATA11	42	GND
43	TRACE_DATA12	44	LVDS_CLKP
45	TRACE_DATA13	46	LVDS_CLKM
47	TRACE_DATA14	48	GND
49	TRACE_DATA15	50	LVDS_1P
51	I2C_SDA	52	LVDS_1M
53	I2C_SCL	54	GND
55	RS232RX (Rx into AWR device)	56	LVDS_0P
57	RS232TX (Tx from AWR device)	58	LVDS_0M
59	nRESET	60	GND

⁽¹⁾ Indicates the state of the onboard VIO supply for the AWR device coming from the onboard PMIC. A HIGH on the PGOOD signal (3.3 V) indicates the supply is stable. Because the I/Os are not failsafe, the MCU must not drive any I/O signals to the AWR device before this I/O supply is stable to avoid leakage current into the I/Os.

2.3.3 CAN Interface Connector

The J3 connector provides the CAN_L and CAN_H signals from the onboard CAND-FD transceiver (TCAN1042HGVDRQ1). These signals can be directly wired to the CAN bus.

Because the digital CAN signals (Tx and Rx) are muxed with the SPI interface signals on the AWR device, one of the two paths must be selected. In the Rev A of the board, to enable the CAN interface, R11 and R12 resistors must be populated with 0 Ω ; R4, R6, R28, and R63 resistors must be removed to disconnect the SPI path. In the Rev B board, this is done by placing the switch S2 on the "CAN" position.

Figure 7 shows the CAN connector.

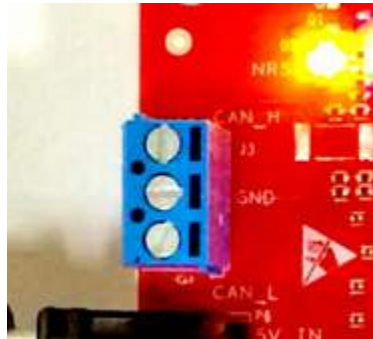


Figure 7. CAN Connector

2.4 PC Connection

The connectivity is provided through the micro USB connector over the onboard XDS110 (TM4C1294NCPDT) emulator. This connection provides the following interfaces to the PC:

- JTAG for Code Composer Studio™ (CCS) connectivity
- UART1 for flashing the onboard serial flash, downloading FW through Radar Studio, and getting application data sent through the UART
- MSS logger UART (can be used to get MSS code logs on the PC)

When the USB is connected to the PC, the device manager should recognize the following COM ports, shown in Figure 8:

- XDS110 Class Application/User UART – UART1 port
- XDS110 Class Auxiliary Data Port – MSS logger port



Figure 8. COM Ports

If Windows® is unable to recognize the COM ports, users must install the EMU pack available at [XDS Emulation Software Package](#).

2.5 Connecting the Obstacle Detection Sensor to the LaunchPad or the MMWAVE-DEVPACK

The development pack may be required with the Obstacle Detection Sensor for the following use cases:

- Connecting to Radar Studio
Radar Studio is a tool that provides capability to configure the mmWave front end from the PC. This tool is available in the [DFP package](#).
- Capturing high-speed LVDS data using the SW1400 FPGA platform from TI (see [High Speed Data Capture and Pattern Generation Platform](#)).
The TSW1400 FPGA platform allows users to capture the raw ADC data over the high-speed debug interface and post process it in the PC.
- Getting DSP trace data through the MIPI 60-pin interface
- Use the DMM interface

This Obstacle Detection Sensor can be stacked on top of the Launchpad or the [MMWAVE-DEVPACK](#) by using the two 20-pin connectors. The connectors do not have a key to prevent the misalignment of the pins or reverse connection. Hence, care must be taken to ensure reverse mounting does not take place.

On the AWR1642 Obstacle Detection Sensor, TI has provided 3V3 markings near pin 1, shown in [Figure 9](#). The same marking is provided on compatible LaunchPads (must be aligned before powering up the boards).

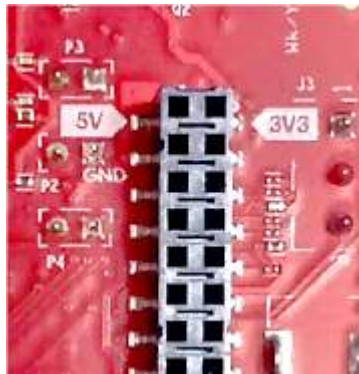


Figure 9. 3V3 and 5V Marking on Obstacle Detection Sensor

For details on these use cases, see the [MMWAVE-DEVPACK User's Guide](#).

2.6 Antenna

The Obstacle Detection Sensor includes onboard-etched antennas for the four receivers and two transmitters that enable tracking multiple objects with their distance and angle information. This antenna design enables estimation of distance and elevation angle that enables object detection in a two-dimensional plane. [Figure 10](#) shows the PCB antennas.

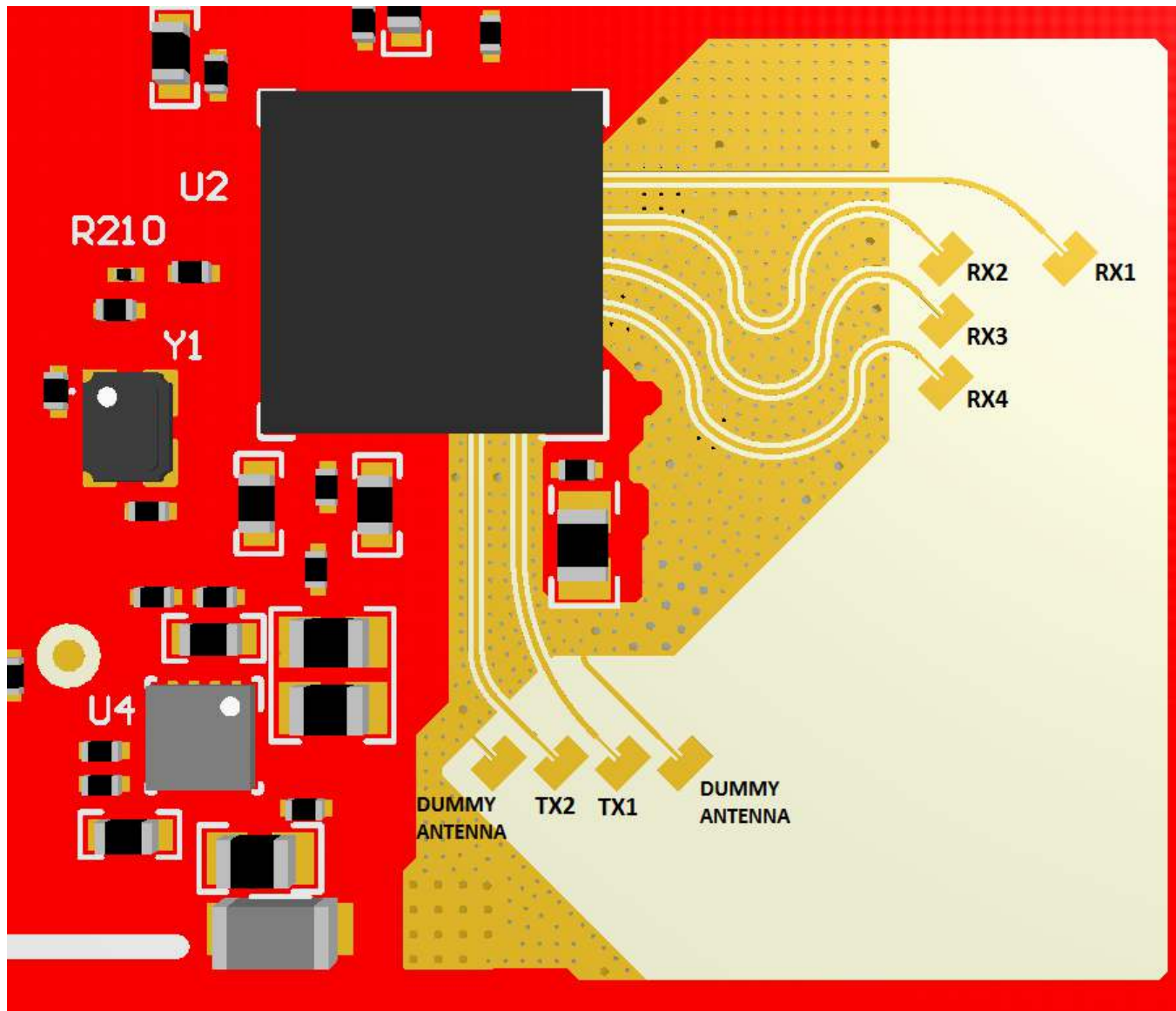


Figure 10. PCB Antennas

The peak output power with the antenna gain is < 55 dBm EIRP, as required by the European regulations. The radiation pattern in the horizontal plane (H-plane $\Phi = 0$ degrees), elevation plane (E-plane $\Phi = 90$ degrees), and the planes of $\Phi = \pm 45$ degrees for the four receivers are shown in [Figure 11](#).

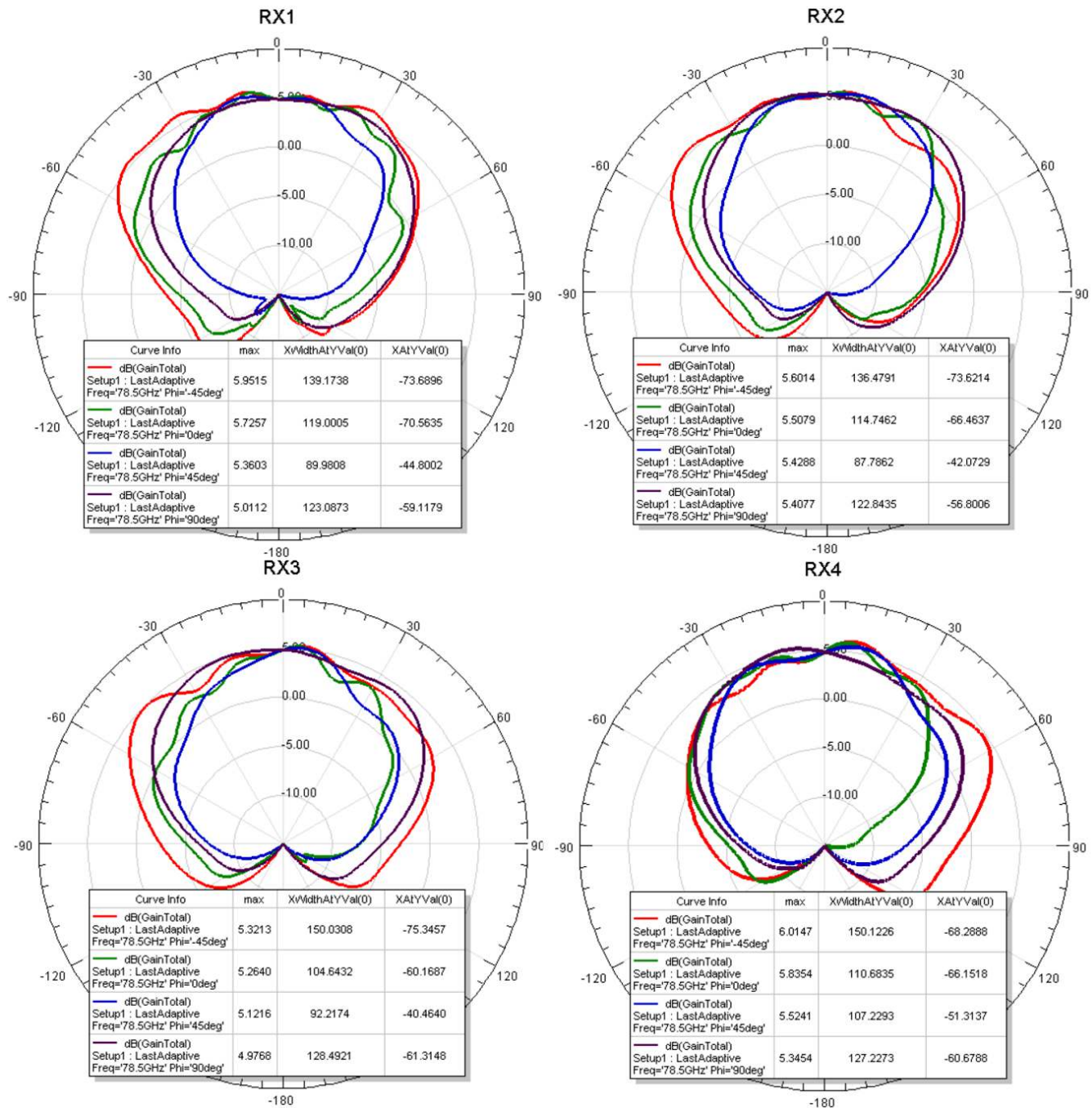


Figure 11. Antenna Pattern

2.7 Jumpers, Switches, and LEDs

2.7.1 Sense-on-Power (SOP) Jumpers

The AWR1642 device can be set to operate in three different modes based on the state of the SOP lines. These lines are sensed only during boot up of the AWR device. The state of the device is detailed by [Table 4](#).

A closed jumper refers to a 1, and an open jumper refers to a 0 state of the SOP signal going to the AWR device.

Table 4. SOP Jumper Information

Reference		Usage	Comments
P3	SOP 2	SOP[2:0]	101 (SOP mode 5) = flash programming
P2	SOP 1		001 (SOP mode 4) = functional mode
P4	SOP 0		011 (SOP mode 2) = dev mode

Figure 12 shows the SOP jumpers.


Figure 12. SOP Jumpers

2.7.2 Current Measurement

The P5 jumper enables the measurement of the current being consumed by the reference design (AWR device, PMIC, and LDOs) at a 5-V level.

To measure the current, resistor R118 must be removed and a series ammeter can be put across the P5 pins (shown in [Figure 13](#)).



Figure 13. P5 Pins

2.7.3 Push Buttons and LEDs

[Table 5](#) provides the switch and LED information.

Table 5. Switch and LED Information

Reference	Usage	Comments
SW2	RESET	Used to RESET the AWR1642 device. This signal is also brought out on the 20-pin connector and 60-pin HD connector so an external processor can control the AWR device. The onboard XDS110 can also use this reset.
SW1	GPIO_1	When pushed, the GPIO_1 is pulled to V _{CC} .
DS2	5-V supply indication	This LED indicates the presence of the 5-V supply.
DS4	nRESET	This LED is used to indicate the state of nRESET pin. If this LED is glowing, the device is out of reset. This LED will glow only after the 5-V supply is provided.
DS1	Nerr_OUT	Glowing indicates there is any HW error in the AWR device
DS3	GPIO_1	Glowing when the GPIO is logic-1

Figure 14 through Figure 19 show the location of switches and LEDs.



Figure 14. SW1



Figure 15. SW2

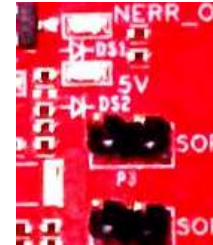


Figure 16. DS2



Figure 17. DS4



Figure 18. DS1



Figure 19. DS3

2.7.4 Selection Between SPI and CAN Interface

The SPI and CAN interface are muxed on the same lines on the AWR1642 device. Based on the configuration, the user can select if the pins E14 and D13 must be connected to the 20-pin/HD connectors to provide the SPI interface OR to the onboard CANFD PHY (U3). This selection is done by the S2 switch. This switch is available on the board from Rev B onwards.

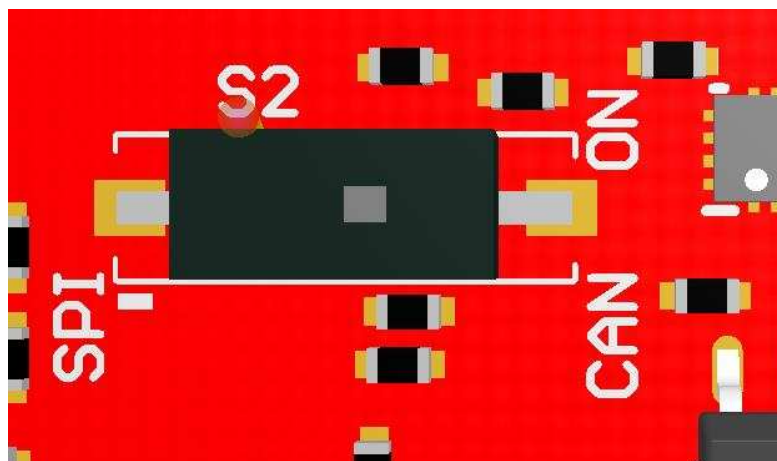


Figure 20. S2 Switch to Select Between SPI or CAN Interface

3 Design Files and Software Tools

3.1 Hardware

To view the BOM, see [AWR1642EVM-ODS BOM](#).

To view the assembly drawings, see [AWR1642EVM-ODS Assembly Files](#).

To view the schematics, see [AWR1642EVM-ODS Schematic](#).

To view the design database and layout details, see [AWR1642EVM-ODS Design Database](#).

3.2 Software, Development Tools, and Example Code

The example code and demo application for the Obstacle Detection Sensor demo can be found on the TI resource explorer page (<http://dev.ti.com/tirex/#/>). Software drivers and libraries are available in the mmwave SDK package (<http://www.ti.com/tool/mmwave-sdk>).

4 Design Revision History

Table 6. Design Revision History

PCB revision	Change Description
Rev B	Added switch control to move between SPI and CAN interface
	Enabled by default the 5-V supply from the 60-pin HD connector.
	Enabled by default the SYNC_IN signal connection to J6 connector
	Serial flash part number updated to MX25V1635FZNQ
	Added series resistors on I2C lines.
	Removed the series diode on the NRST signal.

5 Mechanical Mounting of PCB

The field of view of the radar sensor is orthogonal to the PCB. To enable easy measurements on the sensing objects on the horizontal plane, the PCB can be mounted vertically. The L-brackets provided with the AWR1642 Obstacle Detection Sensor kit, along with the screws and nuts help in the vertical mounting of the Obstacle Detection Sensor. [Figure 21](#) shows how the L-brackets can be assembled.

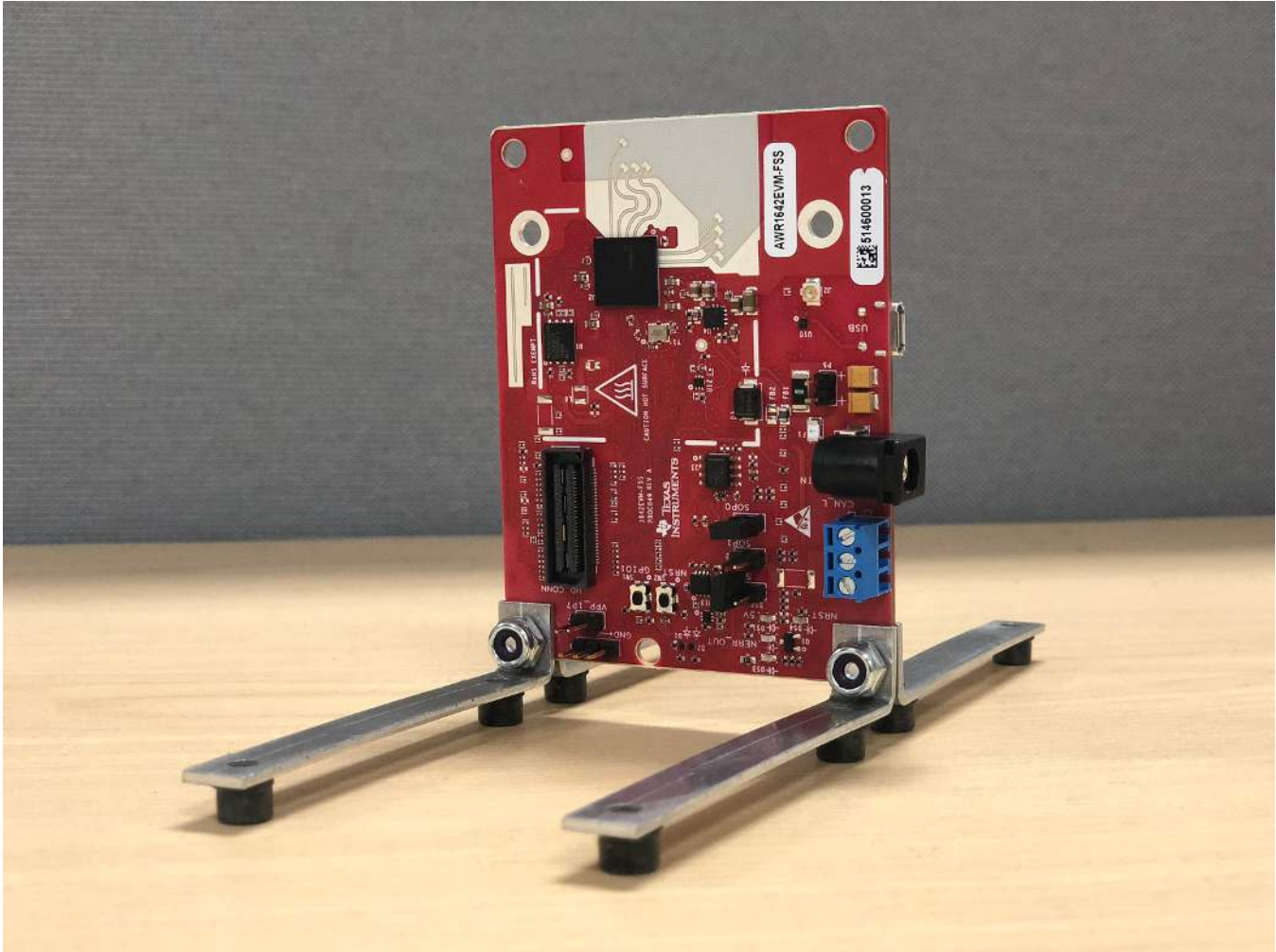


Figure 21. Vertical Assembly of Obstacle Detection Sensor

6 PCB Storage and Handling Recommendations

The immersion silver finish of the PCB provides a better high-frequency performance, but is also prone to oxidation in open environments. This oxidation causes the surface around the antenna region to blacken. To avoid oxidation, the PCB should be stored in an ESD cover and kept at a controlled room temperature with low humidity conditions. All ESD precautions must be taken while using and handling the Obstacle Detection Sensor.

7 Troubleshooting

Obstacle Detection Sensor Board Power-up Failure

See [Section 2.2](#) for desired power connections. Please ensure NRST and 5-V LEDs glow brightly. When a nonfunctional or insufficient current capacity power supply is used with the Obstacle Detection Sensor, the Obstacle Detection Sensor LEDs will not turn on. See [Section 2.7.3](#) for LED information.

IMPORTANT NOTICE FOR TI DESIGN INFORMATION AND RESOURCES

Texas Instruments Incorporated ("TI") technical, application or other design advice, services or information, including, but not limited to, reference designs and materials relating to evaluation modules, (collectively, "TI Resources") are intended to assist designers who are developing applications that incorporate TI products; by downloading, accessing or using any particular TI Resource in any way, you (individually or, if you are acting on behalf of a company, your company) agree to use it solely for this purpose and subject to the terms of this Notice.

TI's provision of TI Resources does not expand or otherwise alter TI's applicable published warranties or warranty disclaimers for TI products, and no additional obligations or liabilities arise from TI providing such TI Resources. TI reserves the right to make corrections, enhancements, improvements and other changes to its TI Resources.

You understand and agree that you remain responsible for using your independent analysis, evaluation and judgment in designing your applications and that you have full and exclusive responsibility to assure the safety of your applications and compliance of your applications (and of all TI products used in or for your applications) with all applicable regulations, laws and other applicable requirements. You represent that, with respect to your applications, you have all the necessary expertise to create and implement safeguards that (1) anticipate dangerous consequences of failures, (2) monitor failures and their consequences, and (3) lessen the likelihood of failures that might cause harm and take appropriate actions. You agree that prior to using or distributing any applications that include TI products, you will thoroughly test such applications and the functionality of such TI products as used in such applications. TI has not conducted any testing other than that specifically described in the published documentation for a particular TI Resource.

You are authorized to use, copy and modify any individual TI Resource only in connection with the development of applications that include the TI product(s) identified in such TI Resource. NO OTHER LICENSE, EXPRESS OR IMPLIED, BY ESTOPPEL OR OTHERWISE TO ANY OTHER TI INTELLECTUAL PROPERTY RIGHT, AND NO LICENSE TO ANY TECHNOLOGY OR INTELLECTUAL PROPERTY RIGHT OF TI OR ANY THIRD PARTY IS GRANTED HEREIN, including but not limited to any patent right, copyright, mask work right, or other intellectual property right relating to any combination, machine, or process in which TI products or services are used. Information regarding or referencing third-party products or services does not constitute a license to use such products or services, or a warranty or endorsement thereof. Use of TI Resources may require a license from a third party under the patents or other intellectual property of the third party, or a license from TI under the patents or other intellectual property of TI.

TI RESOURCES ARE PROVIDED "AS IS" AND WITH ALL FAULTS. TI DISCLAIMS ALL OTHER WARRANTIES OR REPRESENTATIONS, EXPRESS OR IMPLIED, REGARDING TI RESOURCES OR USE THEREOF, INCLUDING BUT NOT LIMITED TO ACCURACY OR COMPLETENESS, TITLE, ANY EPIDEMIC FAILURE WARRANTY AND ANY IMPLIED WARRANTIES OF MERCHANTABILITY, FITNESS FOR A PARTICULAR PURPOSE, AND NON-INFRINGEMENT OF ANY THIRD PARTY INTELLECTUAL PROPERTY RIGHTS.

TI SHALL NOT BE LIABLE FOR AND SHALL NOT DEFEND OR INDEMNIFY YOU AGAINST ANY CLAIM, INCLUDING BUT NOT LIMITED TO ANY INFRINGEMENT CLAIM THAT RELATES TO OR IS BASED ON ANY COMBINATION OF PRODUCTS EVEN IF DESCRIBED IN TI RESOURCES OR OTHERWISE. IN NO EVENT SHALL TI BE LIABLE FOR ANY ACTUAL, DIRECT, SPECIAL, COLLATERAL, INDIRECT, PUNITIVE, INCIDENTAL, CONSEQUENTIAL OR EXEMPLARY DAMAGES IN CONNECTION WITH OR ARISING OUT OF TI RESOURCES OR USE THEREOF, AND REGARDLESS OF WHETHER TI HAS BEEN ADVISED OF THE POSSIBILITY OF SUCH DAMAGES.

You agree to fully indemnify TI and its representatives against any damages, costs, losses, and/or liabilities arising out of your non-compliance with the terms and provisions of this Notice.

This Notice applies to TI Resources. Additional terms apply to the use and purchase of certain types of materials, TI products and services. These include; without limitation, TI's standard terms for semiconductor products (<http://www.ti.com/sc/docs/stdterms.htm>), [evaluation modules](#), and [samples](http://www.ti.com/sc/docs/sampterm.htm) (<http://www.ti.com/sc/docs/sampterm.htm>).

Mailing Address: Texas Instruments, Post Office Box 655303, Dallas, Texas 75265
Copyright © 2018, Texas Instruments Incorporated