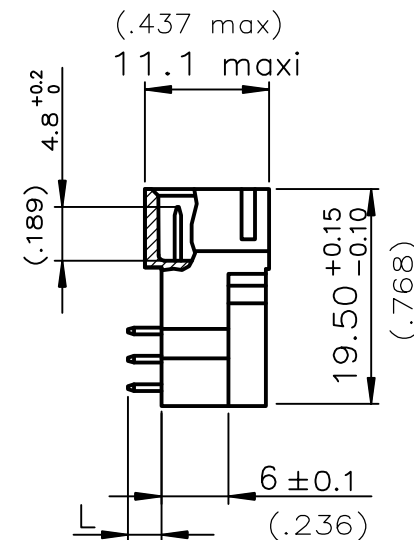
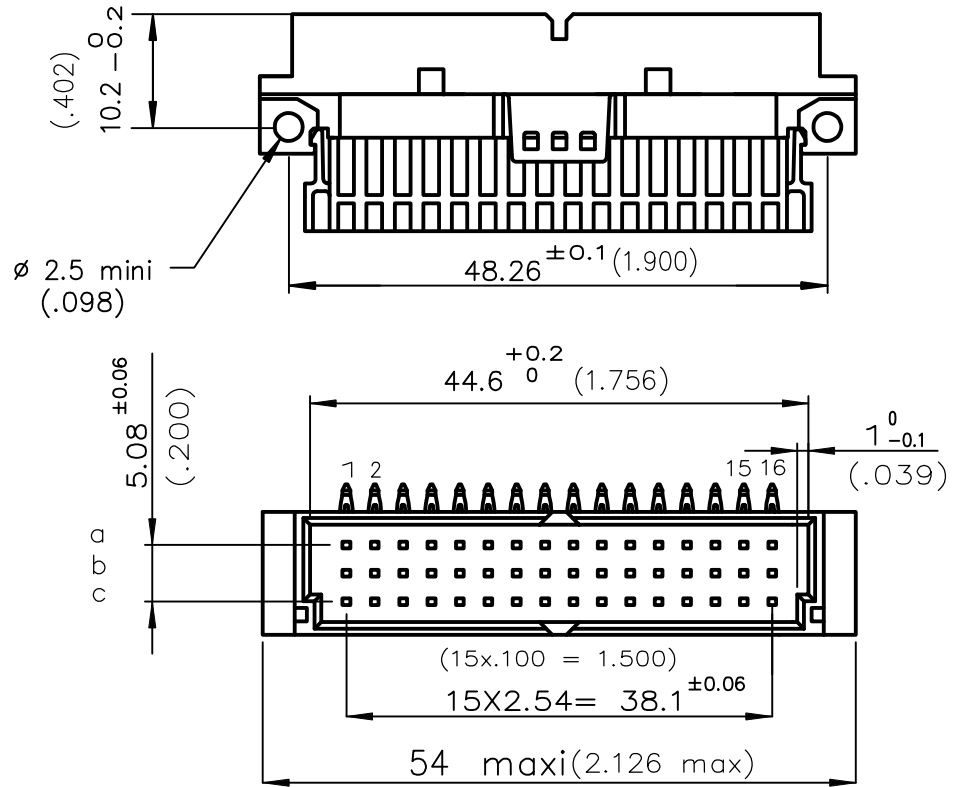
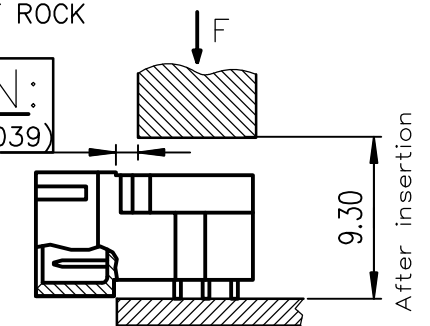


DIMENSIONS mm (inches)



METHOD OF INSERTION
ON THE PCB = FLAT ROCK

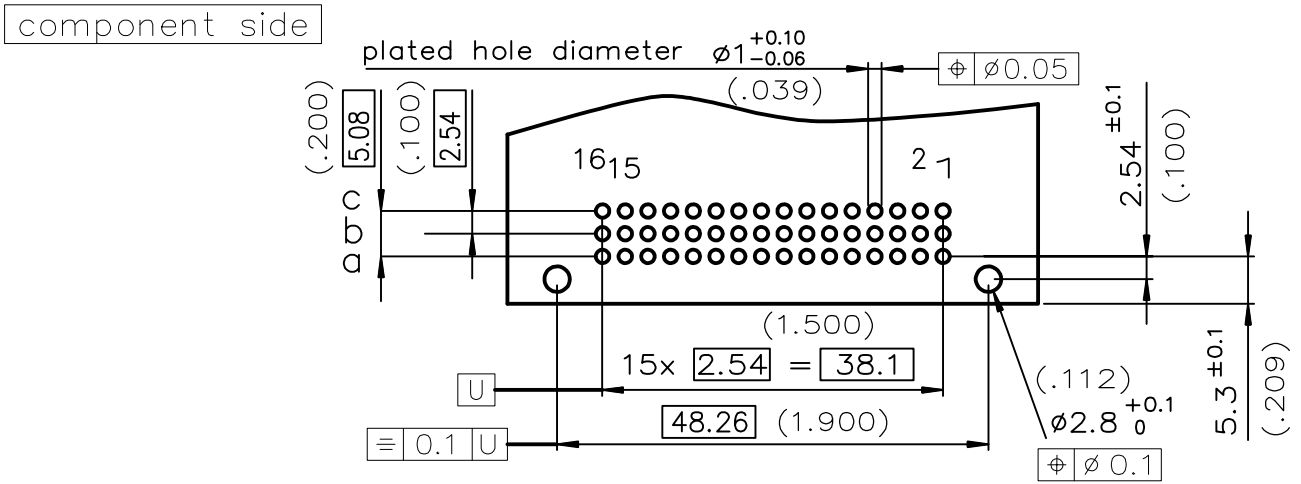
ATTENTION:
Minimum gap: 1mm (.039)



ORDERING INFORMATION

PART NUMBER	8609			73		7		5	
PIN OUT									
rows a-b-c				3		48			
rows a-c				4		32			
rows a-b				2		32			
NUMBER OF CONTACTS									
TERMINATION									
L = 2.80 ±0.20 (0.110)						short post			94
PERFORMANCE CLASS									
DIN 41612 class 3									4
DIN 41612 class 2									5
DIN 41612 class 1									6
TERMINATION TYPE									
LEAD FREE									E1LF

PCB LAYOUT



GENERAL CHARACTERISTICS AND ROHS INFORMATIONS:
SEE DRAWING C-8609-0000C

mat'l. code	surface	tolerance	projection	product family
SEE DRAWING C-8609-0000C	ISO 1302 ✓	ISO 406 ISO 1101		8609
ltr	ecn no	dr	date	title
A	-	MJA	2019-06-14	RIGHT ANGLE HEADER- STYLE C/2
-	-	-	-	PRESS FIT
				dwg no
				sheet 1 of 1
				size
				C-8609-2387
				A3
				type
				Product Customer Drawing
sheet index	revision sheet	1		