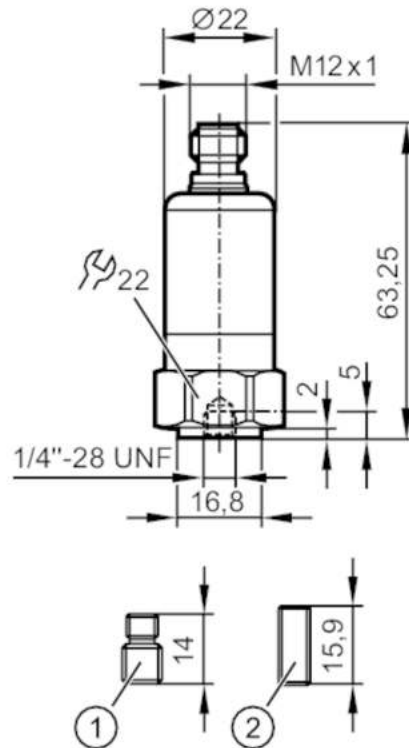




## Vibration transmitter

VIBRATION TRANSMITTER



- 1 set screw 1/4"-28 UNF / M8 x 1.25 mm  
 2 set screw 1/4"-28 UNF  
 Tightening torque 8 Nm



### Product characteristics

Measuring range of vibration [mm/s]	0...50; (RMS)
Frequency range [Hz]	10...1000

### Application

Application	vibration transmitter to ISO 10816
-------------	------------------------------------

### Electrical data

Operating voltage [V]	9.6...32 DC
Protection class	III
Sensor type	microelectromechanical system (MEMS)

### Inputs / outputs

Total number of inputs and outputs	1
------------------------------------	---

### Outputs

Analogue current output [mA]	4...20
Max. load [ $\Omega$ ]	$< (U_b - 9,6 \text{ V}) \times 50$ ; $U_b = 24 \text{ V}$ : 720

### Measuring/setting range

Measuring range of vibration [mm/s]	0...50; (RMS)
Frequency range [Hz]	10...1000

# VTV121



## Vibration transmitter

VIBRATION TRANSMITTER

Number of measurement axes	1
----------------------------	---

### Accuracy / deviations

Measuring error [% of the final value]	< ± 3
Repeatability	< 0,5; (% of the final value)
Linearity deviation	0,25 %

### Operating conditions

Ambient temperature [°C]	-30...125
Note on ambient temperature	UL application: < 70 °C
Storage temperature [°C]	-30...125
Protection	IP 67; IP 68; IP 69K

### Tests / approvals

EMC	EN 61000-4-2 ESD	4 kV CD / 8 kV AD
	EN 61000-4-3 HF radiated	10 V/m
	EN 61000-4-4 Burst	2 kV
	EN 61000-4-5 Surge	1 kV
	EN 61000-4-6 HF conducted	10 V
Shock resistance		400 g
MTTF [years]		868

### Mechanical data

Weight [g]	124
Type of mounting	set screw
Materials	stainless steel (1.4404 / 316L)
Tightening torque [Nm]	8

### Accessories

Items supplied	set screw: 1 x 1/4"-28 UNF / M8 x 1,25 mm set screw: 1 x 1/4"-28 UNF
----------------	---

### Remarks

Pack quantity	1 pcs.
---------------	--------

### Electrical connection

Connector: 1 x M12; coding: A



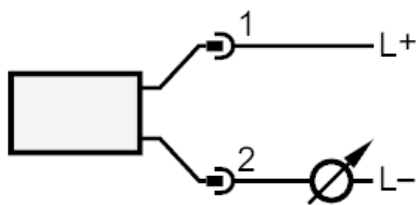
# VTV121



## Vibration transmitter

VIBRATION TRANSMITTER

### Connection



1	L+
2	4...20 mA
3	not used