

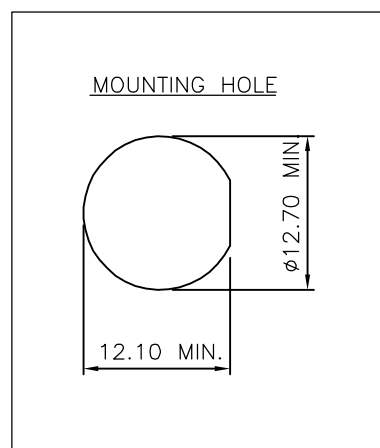
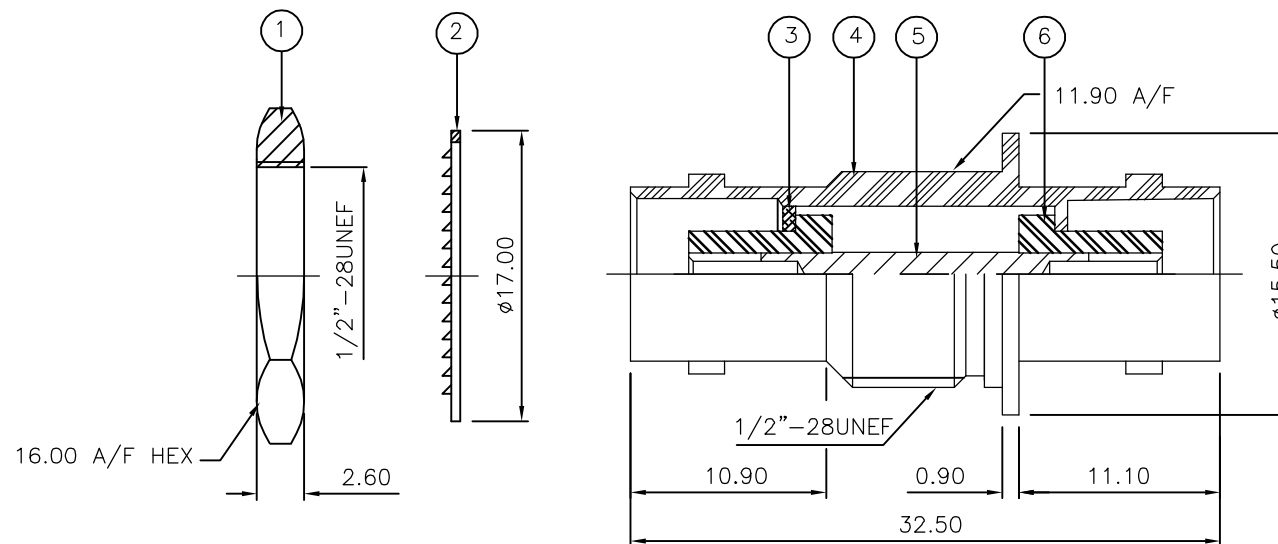
THIS DRAWING IS UNPUBLISHED. RELEASED FOR PUBLICATION JUNE ,2006.

© COPYRIGHT 2006 BY TYCO ELECTRONICS CORPORATION. ALL RIGHTS RESERVED.

LOC	DIST	REVISIONS					
E	B	P	LTR	DESCRIPTION	DATE	DWN	APVD
			B	ECR-06-013423	14JUN06	JMS	FWK

NOTES:

- ① PACK IN ACCORDANCE WITH AMP SPEC 107-3275
- ② 100 TRAY PACK IN ACCORDANCE WITH AMP SPEC 107-3275
- ③ Ag PLATING
- 4 ELECTRICAL CHARACTERISTICS
 FREQUENCY RANGE: DC - 4 GHz
 NOMINAL IMPEDANCE: 50 Ohm
 INSULATION RESISTANCE: 5000 MOhm
 WORKING VOLTAGE: 500 Volts RMS at Sea Level
 DIELECTRIC WITHSTAND VOLTAGE: 1500 Volts RMS Max
 CONTACT RESISTANCE:
 CENTRE CONTACT: 1.50 mOhm Max
 OUTER CONTACT: 0.20 mOhm Max
 VSWR @ xGHz: N/A
 INSERTION LOSS xdb: N/A
- 5 MECHANICAL CHARACTERISTICS
 COUPLING RETENTION FORCE: N/A
 CABLE RETENTION FORCE: N/A
 MOUNT NUT RECOMMENDED TORQUE: 4N
 DURABILITY: 500 Cycles Min
- 6 ENVIRONMENTAL CHARACTERISTICS
 OPERATING TEMPERATURE: -65 to +165 DegC
- 7 FOR TECHNICAL DATA REFER TO YOUR LOCAL TYCO ELECTRONICS SALES OFFICE
- 8 ALL DIMENSIONS ARE NOMINAL FOR REFERENCE ONLY UNLESS OTHERWISE STATED



QTY	QTY	MATERIAL	DESCRIPTION	ITEM
2	2	PTFE	INSULATION	6
1	1	BRASS	CONTACT	5
1	1	BRASS	BODY	4
1	1	BRASS	WASHER	3
1	1	STEEL	LOCKWASHER	2
1	1	BRASS	HEX NUT	1
6--0	1--0	MATERIAL	DESCRIPTION	ITEM
①	①			

THIS DRAWING IS A CONTROLLED DOCUMENT.		DWN J.SANDWELL 14JUN06	Tyco Electronics Corporation Bideford EX39 4HE	
DIMENSIONS: mm		CHK S.PARLOW 14JUN06		
TOLERANCES UNLESS OTHERWISE SPECIFIED:		APVD F.WHEELER-KING 14JUN06	NAME BNC BULKHEAD ADAPTOR J-J 50 OHM	
0 PLC ± - 1 PLC ± - 2 PLC ± - 3 PLC ± - 4 PLC ± - ANGLES ± -		PRODUCT SPEC -	-	
MATERIAL SEE TABLE		FINISH -	APPLICATION SPEC -	RESTRICTED TO -
		WEIGHT -	SIZE A3	CAGE CODE 00779
			DRAWING NO C-1478046	
CUSTOMER DRAWING		SCALE NTS	SHEET 1 OF 1	REV B