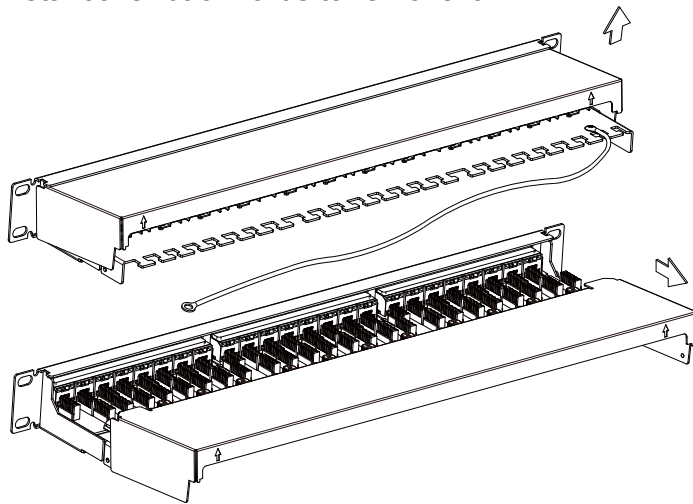


### P/N: S45-2724S

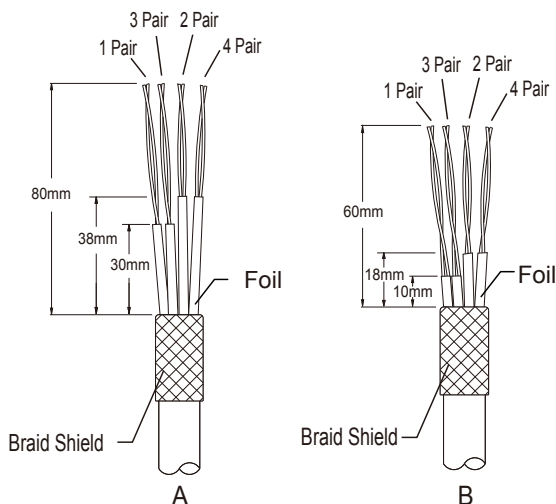
24-Port Loaded Shielded Patch Panel, 10GBaseT Rated for Cat7a/7/6a/6 Shielded, 1RU, Rear 110 IDC Punch Down, Cable Mgt Bracket, Numbered Ports w/Labels, Ground Wire, ANSI/TIA 568.2-D, ISO/IEC 11801 Class Ea/E, PoE: IEEE 802.3bt, Black - 1 ea/Box



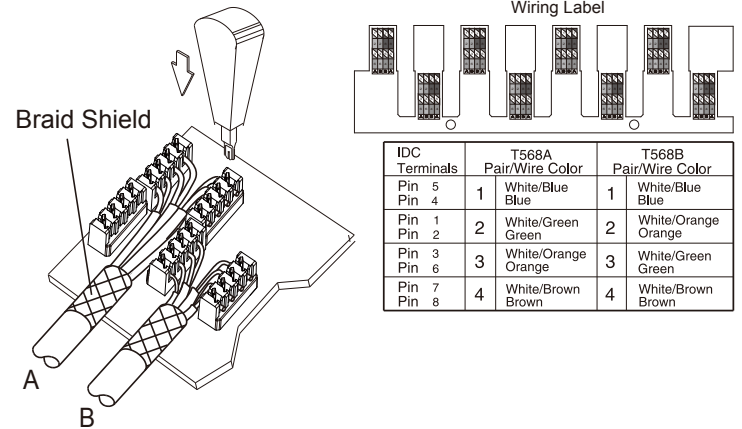
1. Lift left and right sides of metal cover and slide the metal cover backwards to remove it.



2. Strip and remove cable jacket as recommended length, fold braid shielding back over jacket. Leave the foil on pairs intact, remain the pair foil as suggested length.



3. Refer to color coding on labels, allocate the pairs according to color coding in sequence, use punch down tool to press each conductor and trim excess length until all pairs are terminated.



4. Place grounding clip on the cables, screw on the bolt until the cables are fastened to secure grounding between cable and panel. Use supplied cable ties to tight up the cables. Mount the metal cover to panel and finish the installation.

