

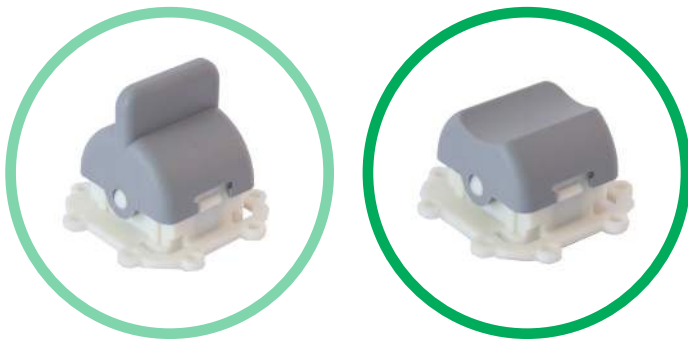


| SR3

Switch Rocker

Introduction

The SR3 Switch Rockers have been developed to provide the reliability required in demanding environmental conditions such as multifunction grips, dashboards or armrest controls for heavy duty industrial applications. The switching system is distinguished by its high reliability with a life expectation of at least one million operations. The rocker modules have been designed for the typical switching function in 'off-road' machinery and other rough environments.



Main Features

- Life greater than 1 million cycles
- Precise tactile feedback of switches
- Protection Class IP65
- DTCs K12 switch technology for high reliability

Custom Modifications

- Output characteristics
- Operating force
- Switch characteristics / functions
- Actuator colour



SPECIFICATIONS

Electrical

Variant

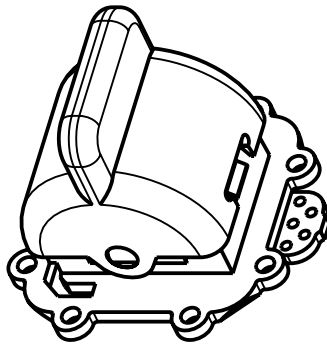
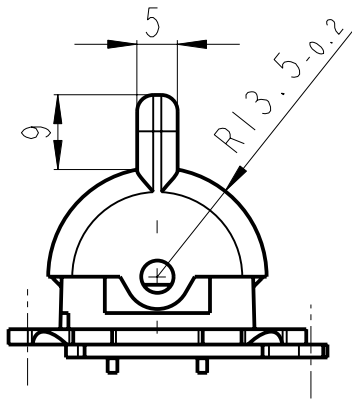
Switching current max.	Switch 1 Switch 2	S1: 7 mA (1K3 Ohm) S2: 9 mA (680 Ohm)
-------------------------------	----------------------	--

Mechanical

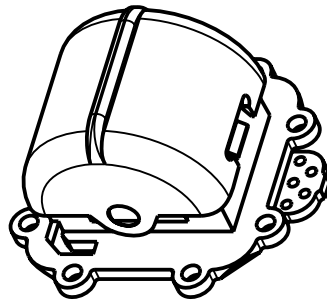
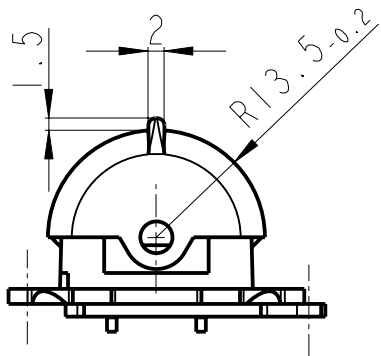
Life	> 1 million cycles
Operating temperature - Storage - Working	- 40°C to 85°C - 35°C to 70°C
Operating force	5 N
Vertical load maximum	30 N
Protection Level	IP 65 (from above when mounted)
Rocker deflection angle	± 12°



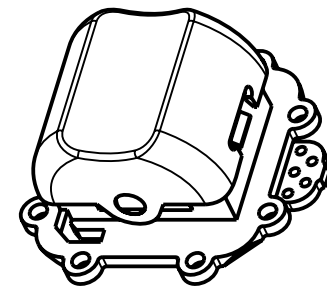
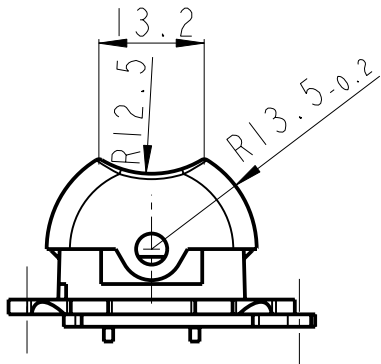
DIMENSIONS



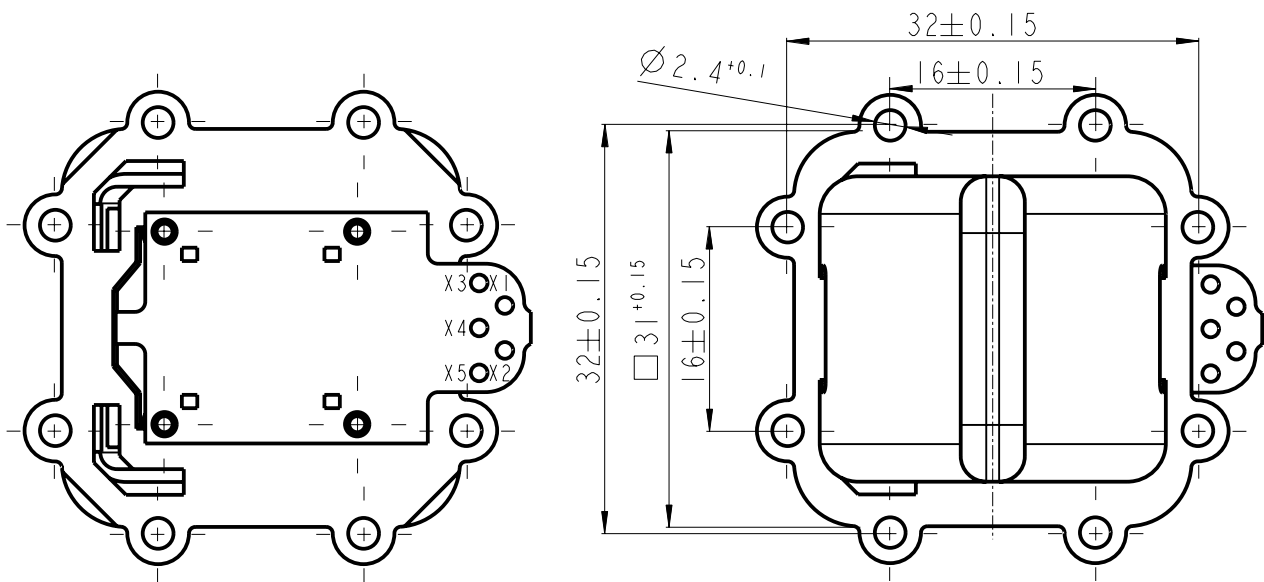
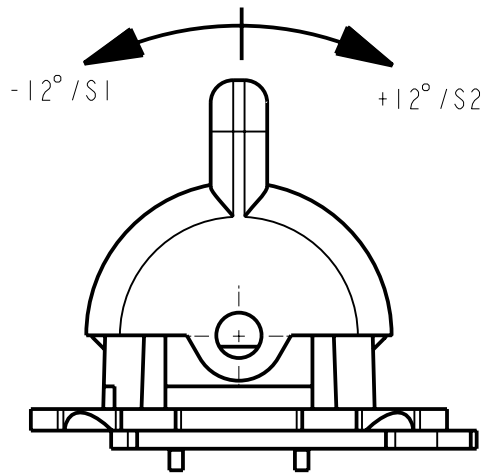
Module actuator shape 01



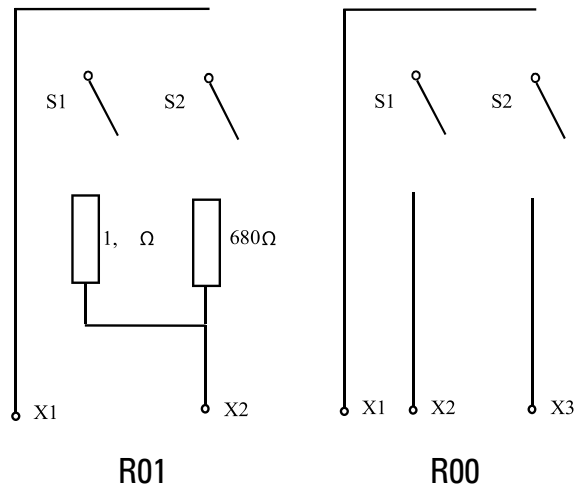
Module actuator shape 02

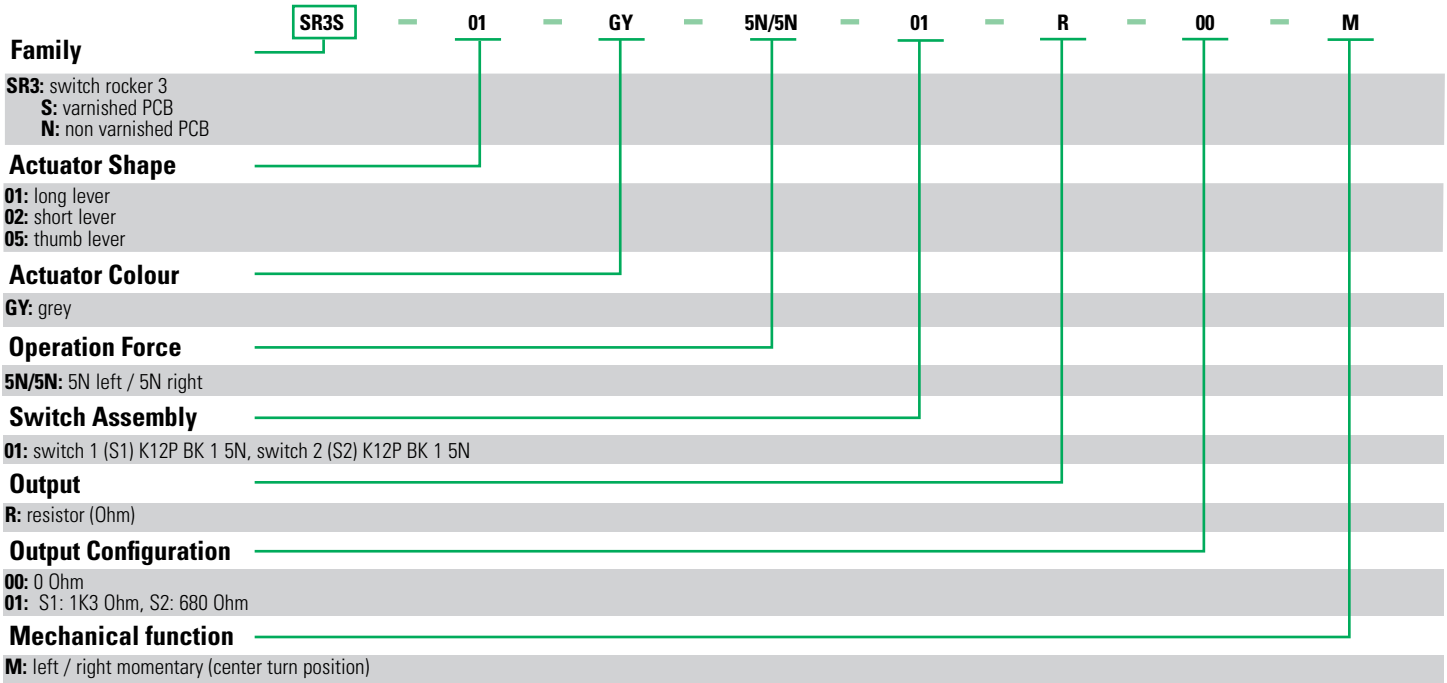


Module actuator shape 05



Pin Assignment		
PIN	ALLOCATION	FUNCTION
X5	S3_I S3 ext	RESERVED
X4	S3_VCC S3 ext	RESERVED
X3	S2_OUT	OUTPUT PUSHBUTTON S2
X2	S1_OUT	OUTPUT PUSHBUTTON S1
X1	VCC_IN	VOLTAGE SUPPLY





Sensata Technologies, Inc. ("Sensata") data sheets are solely intended to assist designers ("Buyers") who are developing systems that incorporate Sensata products (also referred to herein as "components"). Buyer understands and agrees that Buyer remains responsible for using its independent analysis, evaluation and judgment in designing Buyer's systems and products. Sensata data sheets have been created using standard laboratory conditions and engineering practices. Sensata has not conducted any testing other than that specifically described in the published documentation for a particular data sheet. Sensata may make corrections, enhancements, improvements and other changes to its data sheets or components without notice.

Buyers are authorized to use Sensata data sheets with the Sensata component(s) identified in each particular data sheet. HOWEVER, NO OTHER LICENSE, EXPRESS OR IMPLIED, BY ESTOPPEL OR OTHERWISE TO ANY OTHER SENSATA INTELLECTUAL PROPERTY RIGHT, AND NO LICENSE TO ANY THIRD PARTY TECHNOLOGY OR INTELLECTUAL PROPERTY RIGHT, IS GRANTED HEREIN. SENSATA DATA SHEETS ARE PROVIDED "AS IS". SENSATA MAKES NO WARRANTIES OR REPRESENTATIONS WITH REGARD TO THE DATA SHEETS OR USE OF THE DATA SHEETS, EXPRESS, IMPLIED OR STATUTORY, INCLUDING ACCURACY OR COMPLETENESS. SENSATA DISCLAIMS ANY WARRANTY OF TITLE AND ANY IMPLIED WARRANTIES OF MERCHANTABILITY, FITNESS FOR A PARTICULAR PURPOSE, QUIET ENJOYMENT, QUIET POSSESSION, AND NON-INFRINGEMENT OF ANY THIRD PARTY INTELLECTUAL PROPERTY RIGHTS WITH REGARD TO SENSATA DATA SHEETS OR USE THEREOF.

All products are sold subject to Sensata's terms and conditions of sale supplied at www.sensata.com SENSATA ASSUMES NO LIABILITY FOR APPLICATIONS ASSISTANCE OR THE DESIGN OF BUYERS' PRODUCTS. BUYER ACKNOWLEDGES AND AGREES THAT IT IS SOLELY RESPONSIBLE FOR COMPLIANCE WITH ALL LEGAL, REGULATORY AND SAFETY-RELATED REQUIREMENTS CONCERNING ITS PRODUCTS, AND ANY USE OF SENSATA COMPONENTS IN ITS APPLICATIONS, NOTWITHSTANDING ANY APPLICATIONS-RELATED INFORMATION OR SUPPORT THAT MAY BE PROVIDED BY SENSATA.

Mailing Address: Sensata Technologies, Inc., 529 Pleasant Street, Attleboro, MA 02703, USA.

CONTACT US

INDUSTRIAL SOLUTIONS DIVISION

Americas
+1 (800) 350 2727
sensors.deltatech@sensata.com
Europe, Middle East & Africa
+359 (2) 809 1826
ost-info.eu@sensata.com
Asia Pacific
sales.isasia@list.sensata.com
China +86 (21) 2306 1500
Japan +81 (45) 277 7117
Korea +82 (31) 601 2004
India +91 (80) 67920890
Rest of Asia +886 (2) 27602006
ext 2808

HEAVY VEHICLE & OFF-ROAD DIVISION

Americas
+1 508 236 2196
products@sensata.com
Europe, Middle East & Africa
+49 30 43 999 0
products@sensata.com
Asia Pacific
products@sensata.com
China +86 (21) 2306 1500
Japan +81 (45) 277 7001
Korea +82 (31) 601 2004