

## Thread saver (5/8"-27)

### OVERVIEW

The Io Audio Technologies Thread saver was designed to extend the life of your microphone shockmount by preventing damage that can occur by repetitive installation and removal from mic stands. This hardware is designed as a single piece of durable stainless steel to prevent sympathetic vibrations that can be caused by multiple pieces rubbing against each other as seen with other solutions. It consists of a 5/8"-27 male thread to a 5/8"-27 female thread to work as an extension of your equipment.



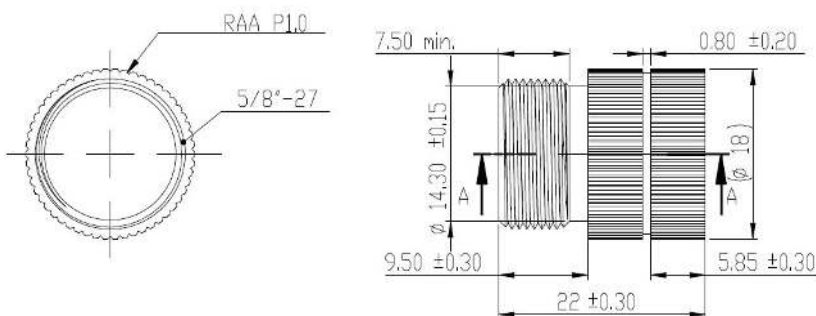
#### MECHANICAL

Threading: **5/8"-27**

#### MATERIAL

Shell: **SUS303**

Shell Finish: **Natural**



### STANDARDS & CLASSIFICATIONS



Product specifications may change without prior notification