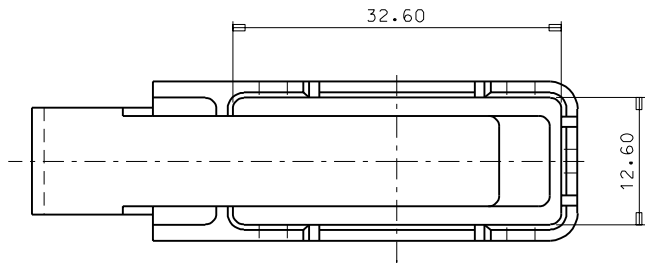
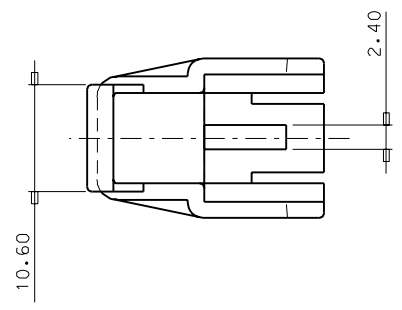
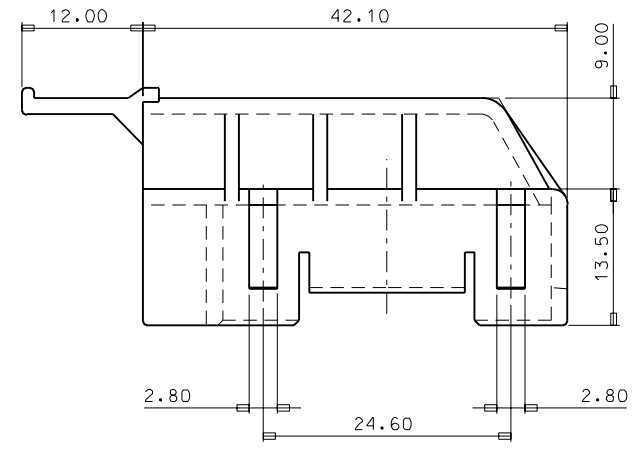
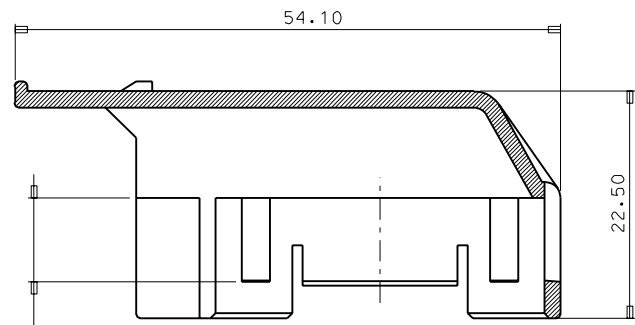


DO NOT SCALE DRAWING
DIMENSION IN METRIC

PROJECT NO.
SIMILAR ITEM

DWG. NO. SD-68503-005



NOTES

- MATERIAL : POLYESTER ,BLACK
- APPLICATION : OBD M/HSG 16P (ENG. NO.:68503-1602)

NO.		685030101		68503-0101		MATERIAL NO.		ENG. NO.		DIMENSIONS:		SHT	REV
RELEASE TO MANUFACTURING		EC NO.: KOR2002-0057		DRWN: H.C.RHO 2001/12/29		CHK: H.C.RHO 2001/12/29		APPR: C.W.LEE 2001/12/29		<input type="checkbox"/> mm <input type="checkbox"/> INCH <input checked="" type="checkbox"/> mm ONLY			
QUALITY SYMBOLS		MAJOR		GENERAL TOLERANCES: (UNLESS SPECIFIED)		SCALE 2:1		DESIGN UNITS		THIRD ANGLE PROJECTION		TITLE:	
CRITICAL		C		mm INCH		mm INCH		mm INCH		mm ONLY		OBD WIRE DRESS COVER	
DESCRIPTION		4 PLACES		±0. ±.		DRAWN BY & DATE		H.C.RHO 011229		CHECKED BY & DATE		H.C.RHO 011229	
REV		3 PLACES		±0. ±.		APPROVED BY & DATE		C.W.LEE 011229		MATERIAL NO.		DRAWING NO.	
A		2 PLACES		±0.3 ±.		CAD FILENAME		SOBDCOV		SEE TABLE		SD-68503-005	
		1 PLACE		±0. ±.		ANGULAR: ± 1°						SHEET NO.	
						DRAFT WHERE APPLICABLE MUST REMAIN WITHIN DIMENSIONS		THIS DRAWING CONTAINS INFORMATION THAT IS PROPRIETARY TO MOLEX INCORPORATED AND SHOULD NOT BE USED WITHOUT WRITTEN PERMISSION.				1 OF 1	
												SIZE B	