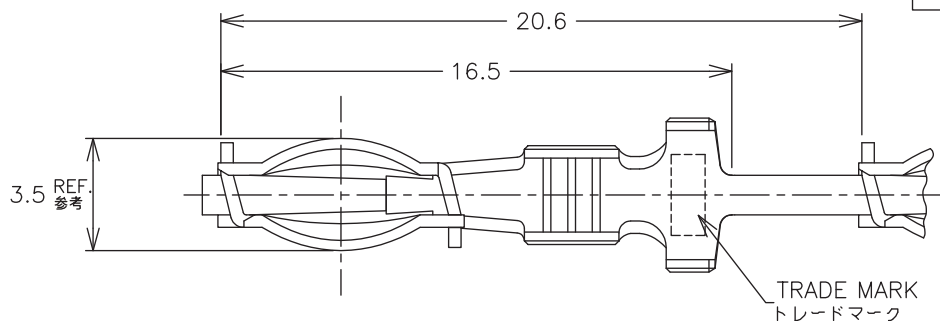
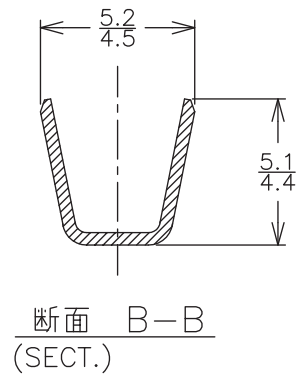
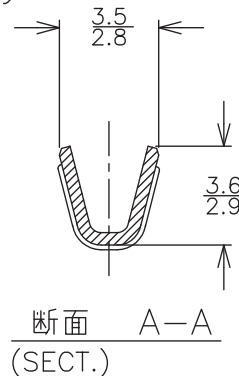
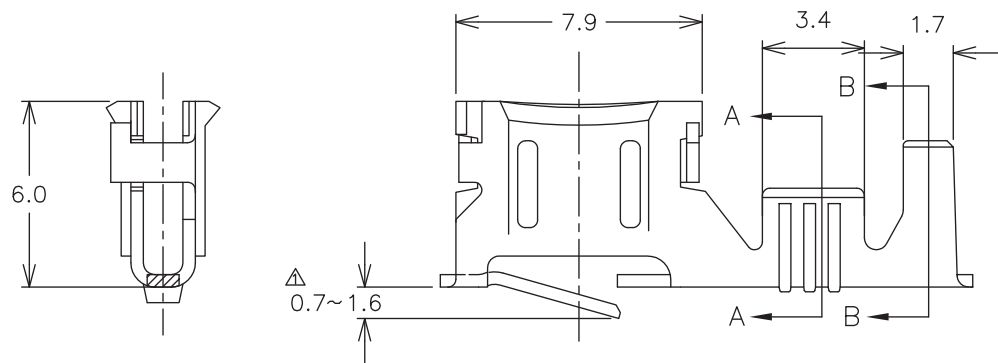


THIS DRAWING IS UNPUBLISHED. RELEASED FOR PUBLICATION  
 © COPYRIGHT - By - ALL RIGHTS RESERVED.

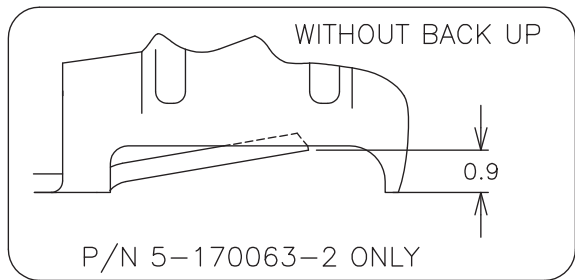
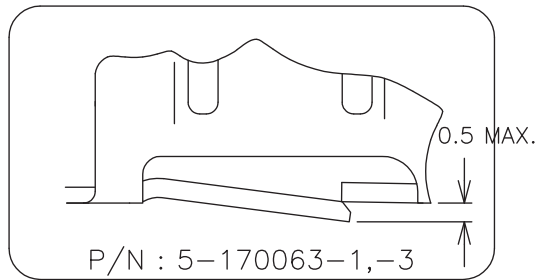
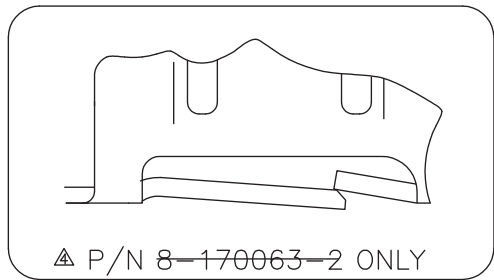
LOC	DIST	REVISIONS		
J	-	変更		
P	LTR	DESCRIPTION	DATE	DWN
	M3	REVISED PER ECR-21-117681	22OCT2021	PC
				SE



- △ 圧着後のランス高さ。
- 2. 製品規格 108-5143,-5205,-5541  
但し、0.5mmSQの圧着部引張強度の規格値は78.4N(8Kg)以上とする。
- 3. 適用ハウジング：170851-1,171370-1,-3,-5,1-171370-1



- △ LANCE HIGHT AFTER CRIMPING.
- 2. PRODUCT SPECIFICATION 108-5143,-5205,-5541  
78.4N(8Kg),(AWG#20 WIER CRIMP TENSILE STRENGHT)
- 3. APPLICABLE HOUSING:  
170851-1,171370-1,-3,-5,1-171370-1



THIS DRAWING IS A CONTROLLED DOCUMENT.

DIMENSIONS: 単位： 耗 mm	TOLERANCES UNLESS OTHERWISE SPECIFIED: 一般公差
	0 PLZ ±0.3
	1 P/C ±-
	2 M/C ±-
	3/PLC ±-
	4 PLC ±-
	ANGLES ±3'
MATERIAL 材料	FINISH 仕上
表参照 SEE TABLE	表参照 SEE TABLE

錫めっき (TIN PLATED)	錫黄銅 0.41t (TIN BRASS)	170063-9
錫めっき (TIN PLATED)	燐青銅 0.41t (PHOSPHCR BRONZE)	5-170063-2
(PRE-TIN PLATED)	燐青銅 0.41t (PHOSPHCR BRONZE)	5-170063-1
錫めっき (TIN PLATED)	燐青銅 0.41t (PHOSPHCR BRONZE)	5-170063-3
錫めっき (TIN PLATED)	燐青銅 0.41t (PHOSPHCR BRONZE)	170063-2
仕上げ (FINISH)	材料 (MATERIAL)	型番 (P/N)

DWN 11.SEP.'01 M.SUZUKI		TE Connectivity	
CHK 11.SEP.'01 M.SHINDO			
APVD 11.SEP.'01 M.SHINDO		NAME 名称	
PRODUCT SPEC 製品規格 注2参照 SEE NOTES 2		2.3 DIA CLUSTER PIN RECEPTACLE Φ2.3 クラスタ ピン リセプタクル	
APPLICATION SPEC 取付適用規格 114-5235		SIZE	RESTRICTED TO
WEIGHT		A3	
CUSTOMER DRAWING		CAGE CODE 00779	DRAWING NO C=170063
SCALE 尺度 6:1		SHEET 1 of 1	REV M3