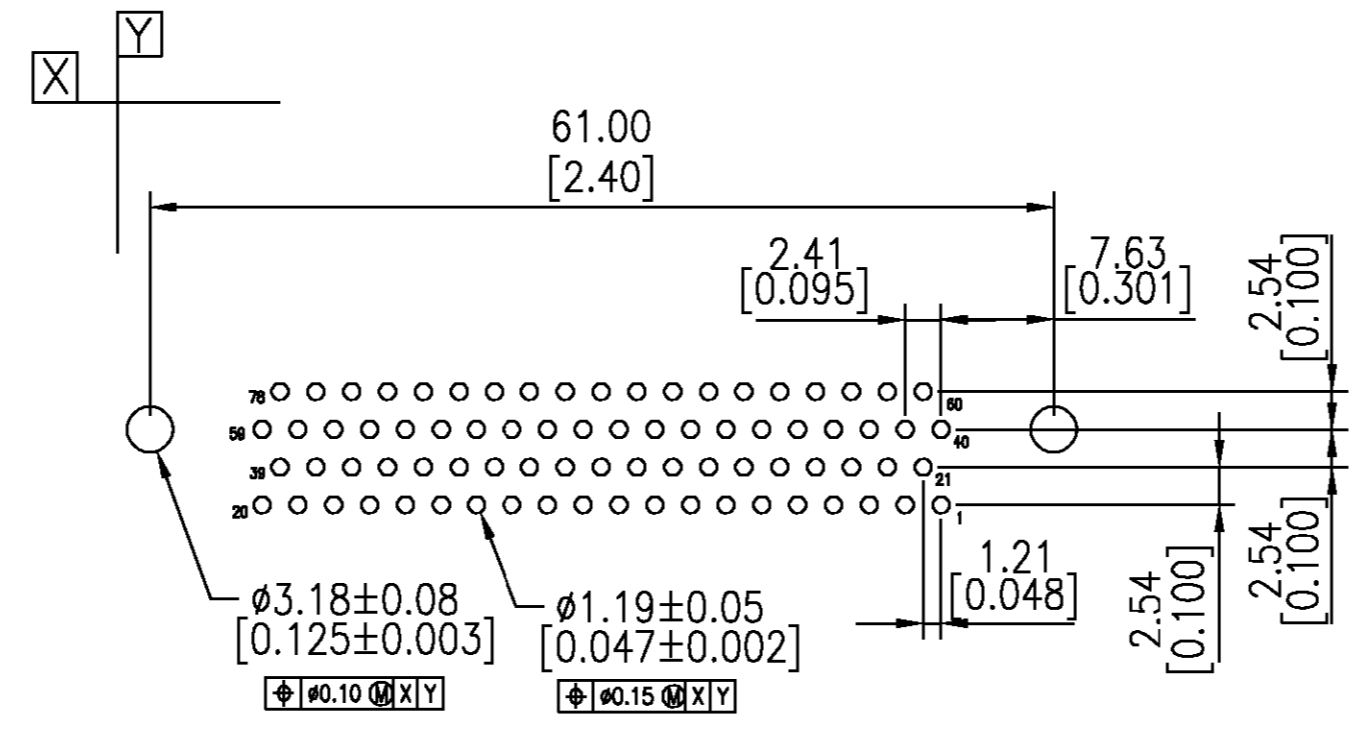


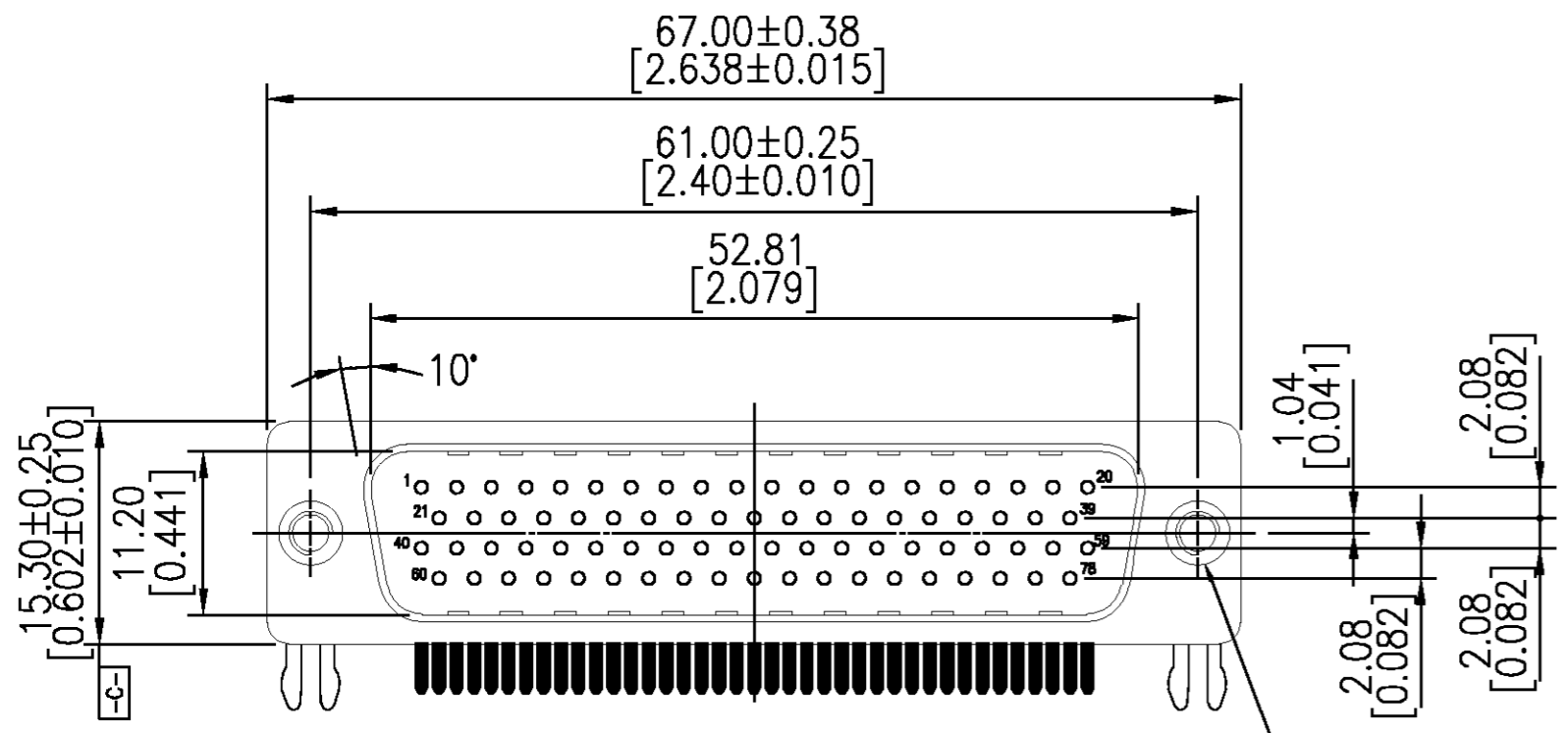
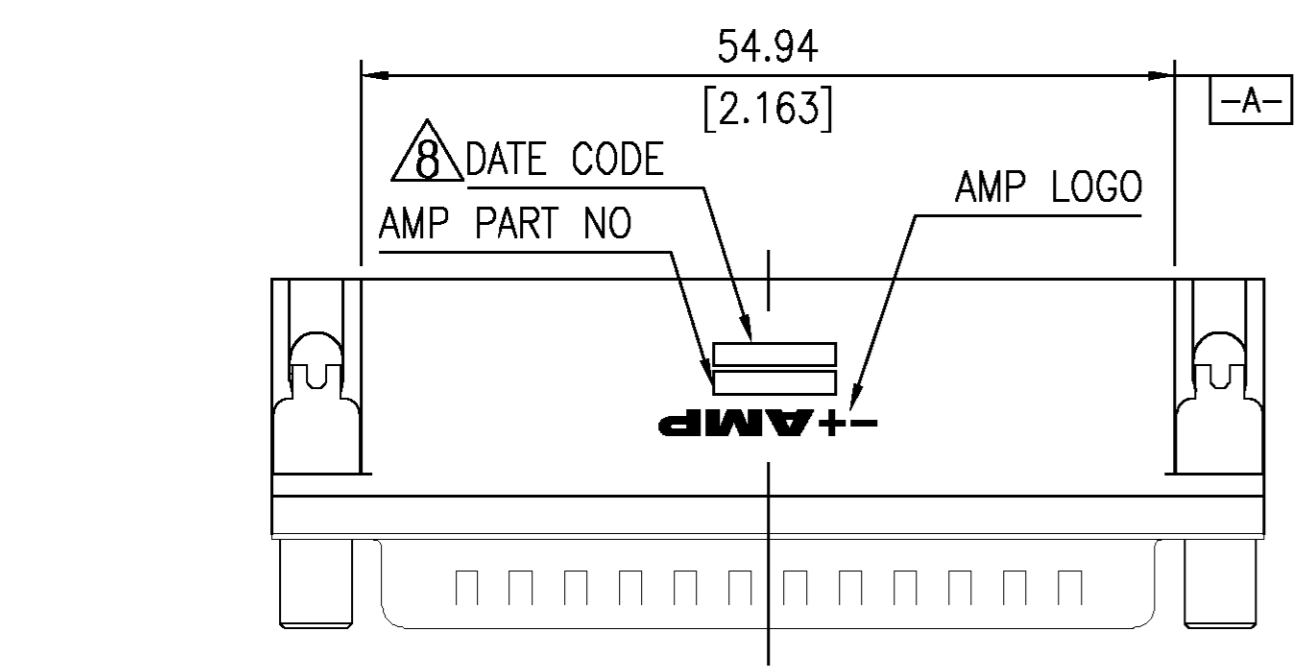
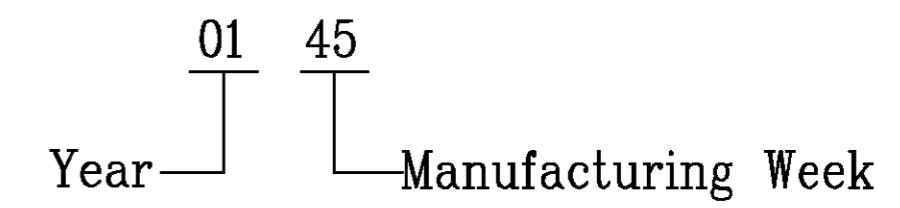
LOC	DIST	REVISIONS			
P	LTR	DESCRIPTION	DATE	DWN	APVD
GP	0	M	REVISED PER OS13-0092-02	08JULY02	JB CC

MATERIAL:

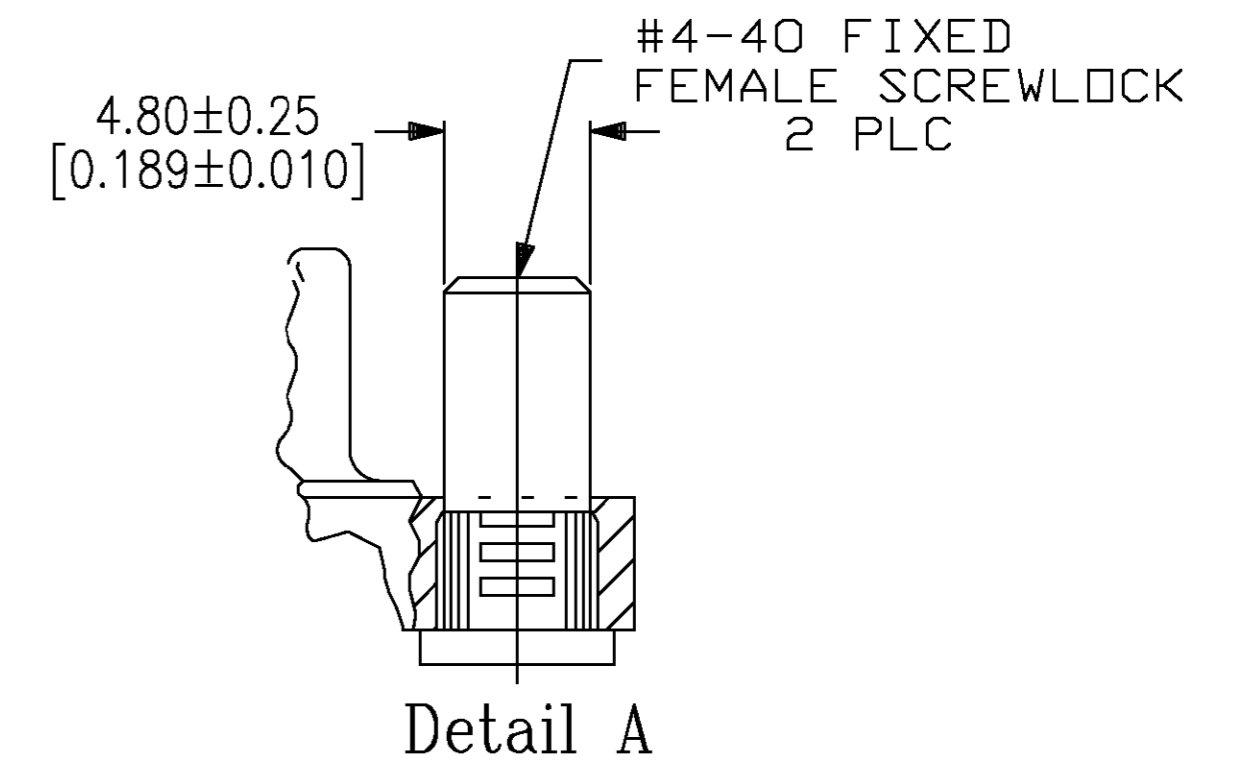
- Housing: PBT , 30 % G.F polyester, Black.
(UL 94V-0 Rated)
 - Contact: Brass.
 - Contact Plated: Gold Plated over 50u"
Nickel underplated.
 - Solder Tail: Sn/Pb Plated 120u" over 50u"
Nickel underplated.
 - Shell: Steel, Nickel Plated.
 - Boardlock: Brass, Tin or Sn/Pb Plated 100u"
 - Female Screwlock: Brass, Nickel plated 30u" Min.
- ⊠ Four digit date code in this format.



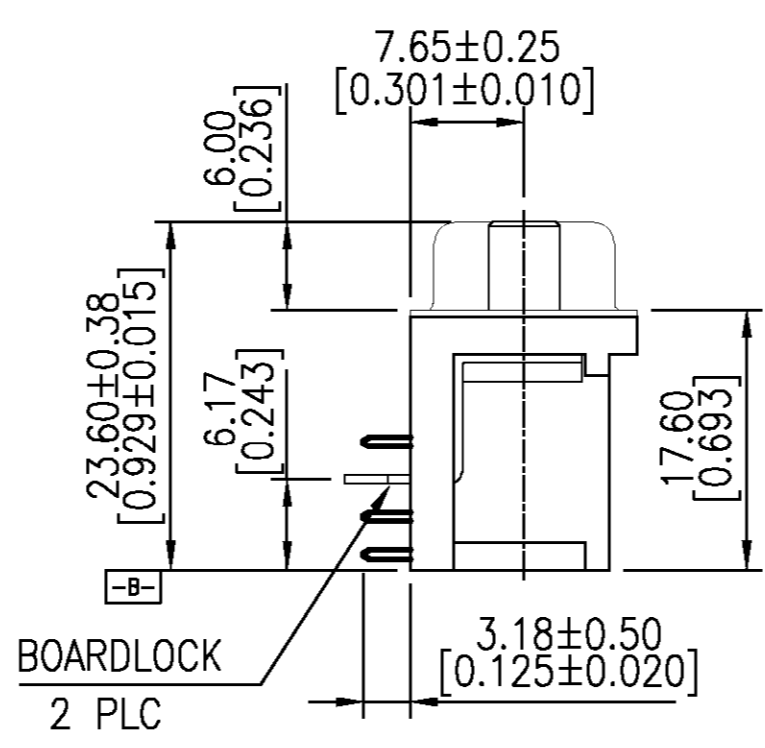
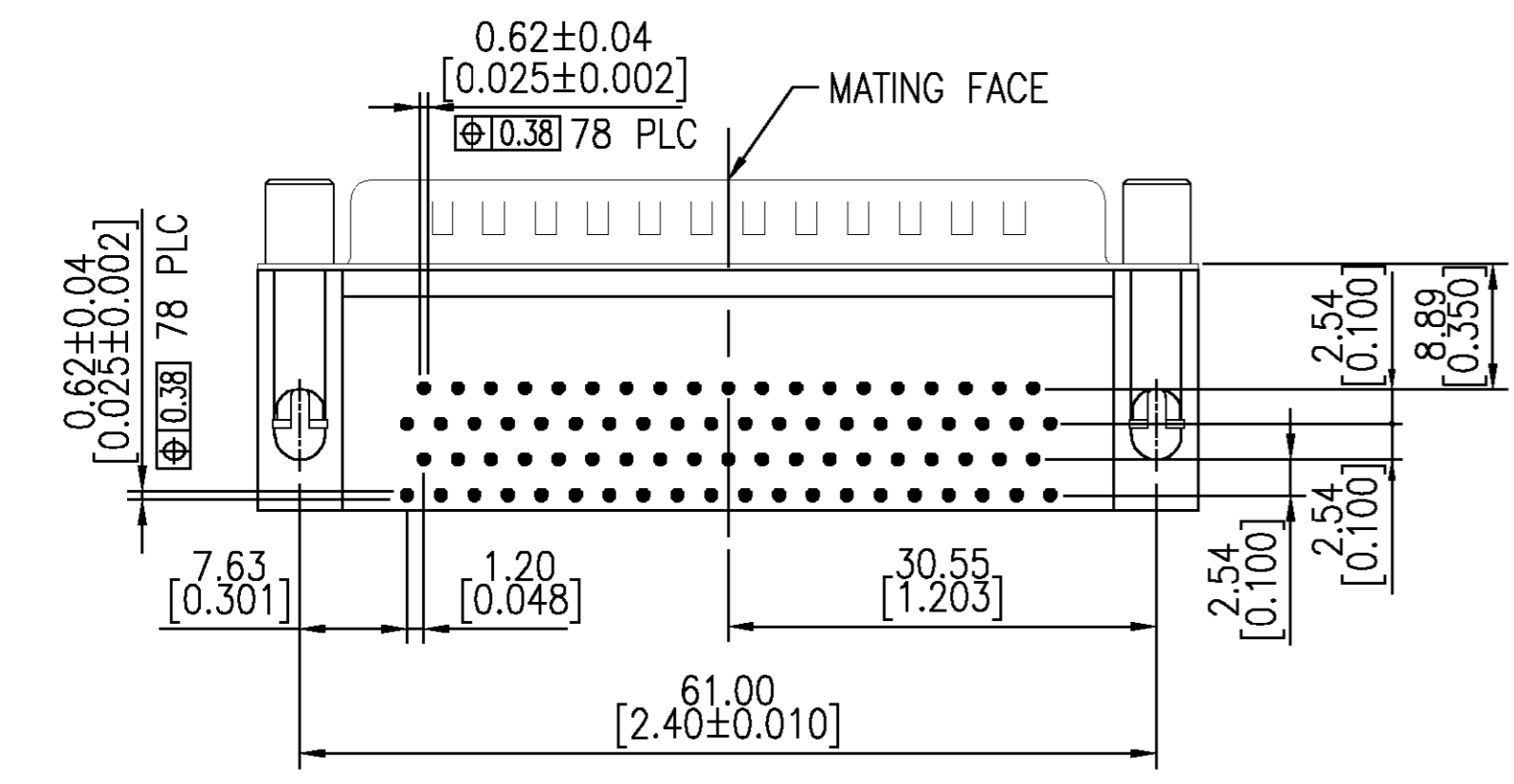
RECOMMENDED PCB LAYOUT



SEE TABLE FOR MOUNTING FLANGE CONFIGURATION



Detail A



Tray	Detail A	Gold flash	749234-4
Tray	Detail A	15 μ"	749234-3
Tray	Detail A	30 μ"	749234-1
Packaging	Mounting Flange Config	Contact Finish	AMP Part NO.

DIMENSIONS:		TOLERANCES UNLESS OTHERWISE SPECIFIED:		THIS DRAWING IS A CONTROLLED DOCUMENT.		DWG: J.BURWELL 08JULY02		Tyco Electronics Corporation	
MM		0 PLC	± -	CHK: C.CASH 08JULY02	APVD: -	NAME			
		1 PLC	± 0.30	PRODUCT SPEC		AMPLIMITE HD-22			
		2 PLC	± 0.20	APPLICATION SPEC		78 POS PLUG, RIGHT ANGLE			
		3 PLC	± 0.10	WEIGHT		SIZE	CAGE CODE	DRAWING NO	RESTRICTED TO
		4 PLC	± -	MATERIAL		A2	00779	749234	-
		ANGLES	± 2°	FINISH		CUSTOMER DRAWING		SCALE	SHEET
								3:1	1 OF 1
									REV M

749234