

1

2

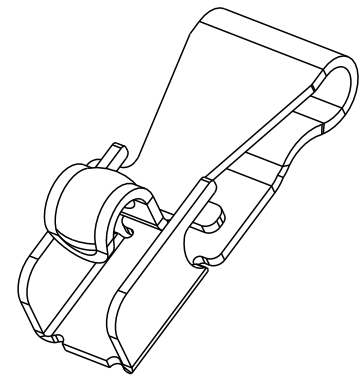
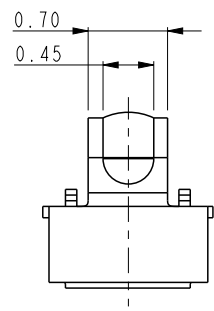
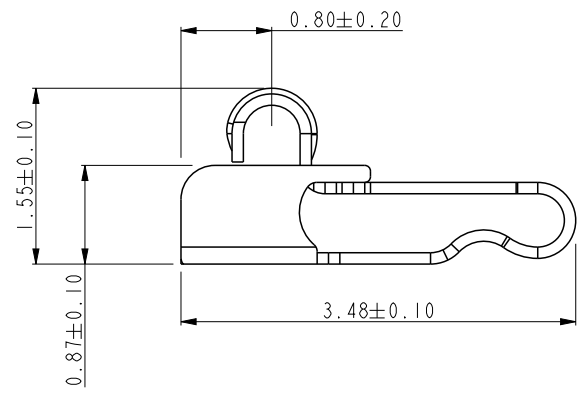
3

4

	PRODUCT NO.
FCI	10115748-001RLF
	10115748-003RLF
	10115748-009RLF

A

B

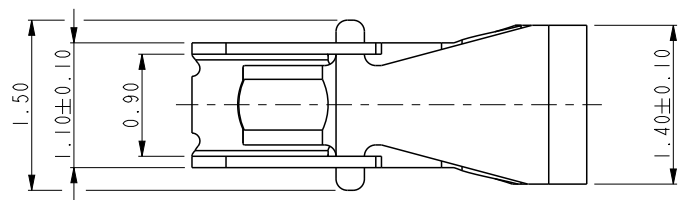


A

B



C



NOTES:
 1. MATERIAL: BERYLLIUM COPPER ALLOY.
 2. CONTACT PLATING:
 CONTACT AREA: PLATING 1um Au OVER 1.0/3.0 um Ni UNDERPLATE.
 or PLATING 0.05~0.15um Au OVER 1.0/3.0 um Ni UNDERPLATE.
 or PLATING 1um GXT OVER 1.0/3.0 um Ni UNDERPLATE.
 (1um GXT is 0.025-0.125um Au over 0.875um PdNi)
 SOLDER AREA: PLATING 0.05 TO 0.15um Au OVER 1.0/3.0 um Ni UNDERPLATE.
 3. PACKAGING: TAPE & REEL
 4. PART NUMBER DESCRIPTION:
 10115748- 0 0 X X X

LF: LEAD FREE
 R: TAPE & REEL
 CONTACT PLATING:
 1: 1um Au OVER Ni
 3: 0.05 to 0.15um Au OVER Ni
 9: 1um GXT OVER Ni

rev	ecn no	dr	date
A	DG10-0291	NZ	2010-08-05
B	DG11-0048	SM	2011-02-22
C	ELX-DG-011091-1	ANDY	2012-03-28
-	-	-	-
-	-	-	-
-	-	-	-

Copyright FCI.

D

spec ref	*	dr	Louis Ng	2010/08/11	projection	mm	size	A4	scale	15.000
tolerance std	ASME Y14.5	eng	Andy Lu	2012/03/28			ecn no ELX-DG-011091-1			
TOLERANCES UNLESS OTHERWISE SPECIFIED		chr	Young Ou	2012/03/28			rel level Released			
surface	linear	appr	Pei-Ming Zheng	2012/03/28	product family -		dwg no 10115748		rev C	
ASME Y14.5	angular	www.fci.com		cat. no.	Product - Customer Drw			sheet 1 of 1		

ProE File - REV C - 2009-06-09

2

3

4