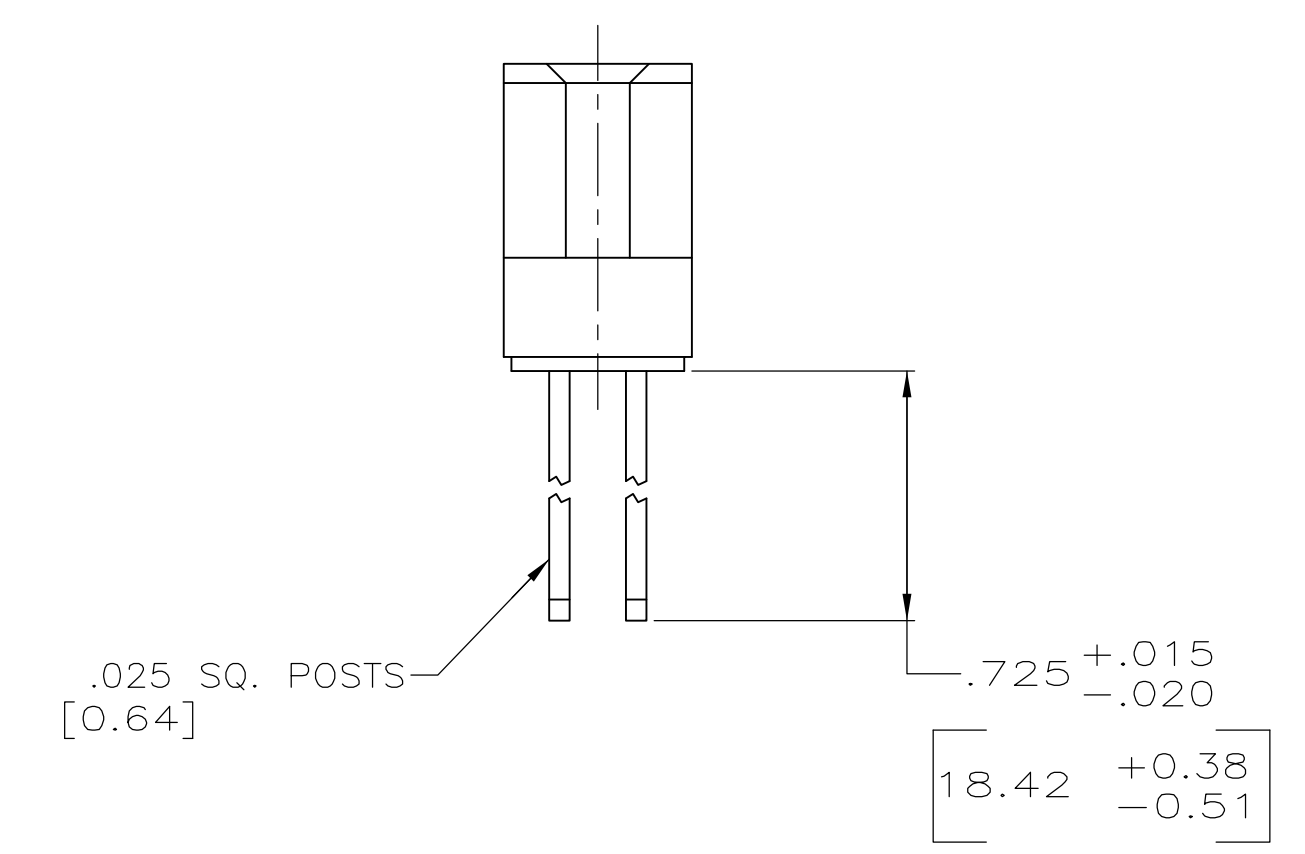


- 1 AMP, DATE CODE, AMP P/N AND 00779 MOLDED OR MARKED IN THIS AREA.
- 2 HOUSING: DIALYL PHTHALATE: COLOR - BLUE.
- 3 CONTACT: .000030 NICKEL UNDERPLATE ALL OVER, .000050 GOLD ALL OVER.
- 4 CONTACT: BERYLLIUM COPPER (BeCu) OR COPPER-NICKEL-SILICON (CuNiSi).
- 5 COAX POS., A,B,C,D,E,F,G,H MOLDED OR MARKED THIS SIDE ONLY.
- 6 NUMBERS INDICATING EVERY FIFTH CAVITY TO BE MARKED IN THIS AREA.
- 7 WILL ACCEPT MICROMINIATURE COAX CONTACT 227603-1 OR 227605-1
- 8 POSTED CONTACTS MUST BE SOLDERED INTO A P.C. BOARD IN FINAL APPLICATION PRIOR TO WIRE WRAPPING



1,18	17,34	.600 [15.24]	3	1.600 [40.64]	16	3.665 [93.09]	4.065 [103.25]	4.355 [110.62]	34	448518-1
CAVITY IDENT		G	F	E	D	C	B	A	NO OF POSN	PART NUMBER

THIS DRAWING IS A CONTROLLED DOCUMENT.

DIMENSIONS:	TOLERANCES UNLESS OTHERWISE SPECIFIED:	DIN	9-10-92		Tyco Electronics Corporation
INCHES		CHK	9-21-92		Harrisburg, Pa 17105-3608
0 PLC ± -	1 PLC ± -	APVD	9-21-92	NAME	RECEPT ASSY, 1000 SERIES BOX, WITH 8 COAX CAVITIES, EXTERNAL KEYING, & WIRE WRAP CONTACTS
2 PLC ± -	3 PLC ± .010 [0.25]	APPLICATION SPEC		SIZE	CAGE CODE
4 PLC ± -	ANGLES ± -	WEIGHT		DRAWING NO	RESTRICTED TO
MATERIAL	FINISH	CUSTOMER DRAWING		A1 00779	448518
		SCALE	4:1	SHEET	1 OF 1