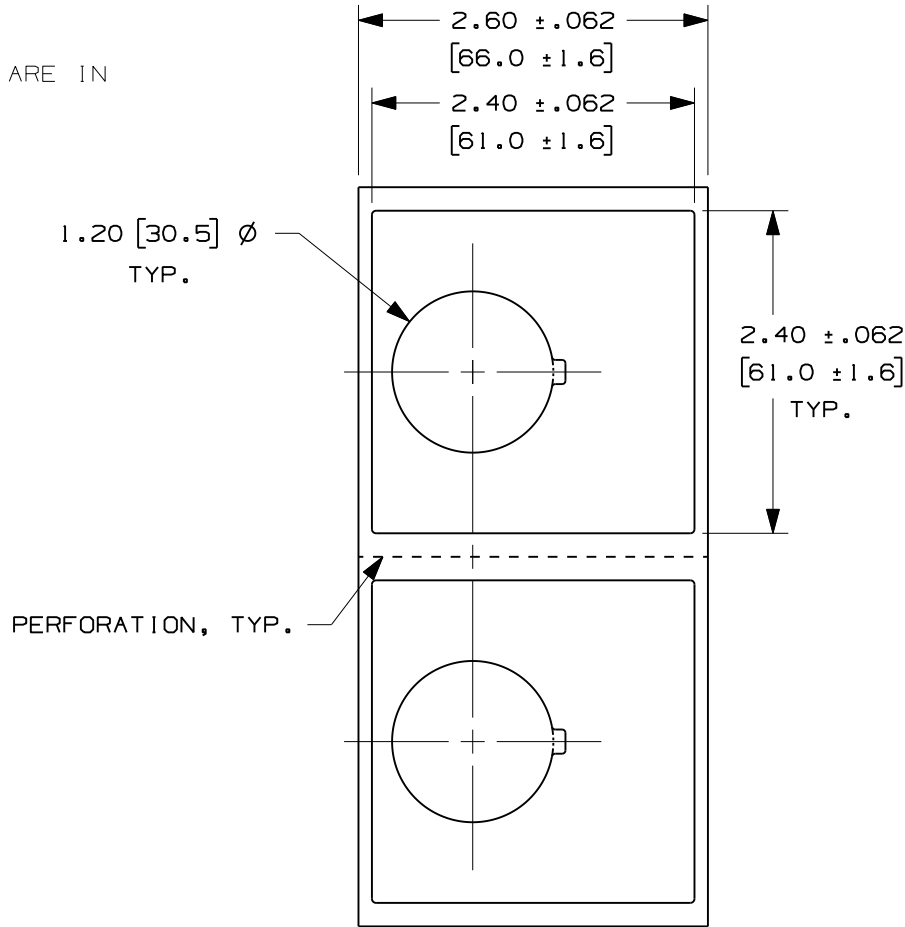


THIS COPY IS PROVIDED ON A RESTRICTED BASIS AND IS NOT TO BE USED IN ANY WAY DETRIMENTAL TO THE INTERESTS OF PANDUIT CORP.

NOTES:
1. MILLIMETER ARE IN
[].



PANDUIT PART NO.	PKG. QTY.
C240X240YK - 30	500

CAD FILENAME/LAYERS 100491CD_DS_C10760/00A

PANDUIT CORP. TINLEY PARK, ILLINOIS

CUSTOMER DRAWING
RAISED PANEL OVERLAMINATE
C240X240YK - 30

UNLESS OTHERWISE SPECIFIED,
DIMENSIONAL TOLERANCES ARE:
(.X) ± .12 (.XXX) ± .025
(.XX) ± .062 ANGLES ±

UNLESS OTHERWISE SPECIFIED,
ALL DIMENSIONS ARE GIVEN
IN INCHES, THIRD ANGLE PROJECTION.

DRAWN BY
RVU

MAT'L:

SCALE NTS

0	4/2/09	RVU		DRAWING RELEASE.	5646	R				
REV	DATE	BY	CHK	DESCRIPTION	ECN	R	CUST	SUP		

DATE
1/19/09
CHK'D

GMV
OVERLAM

DRAWING NO.
C10760

DWG
A
SIZE