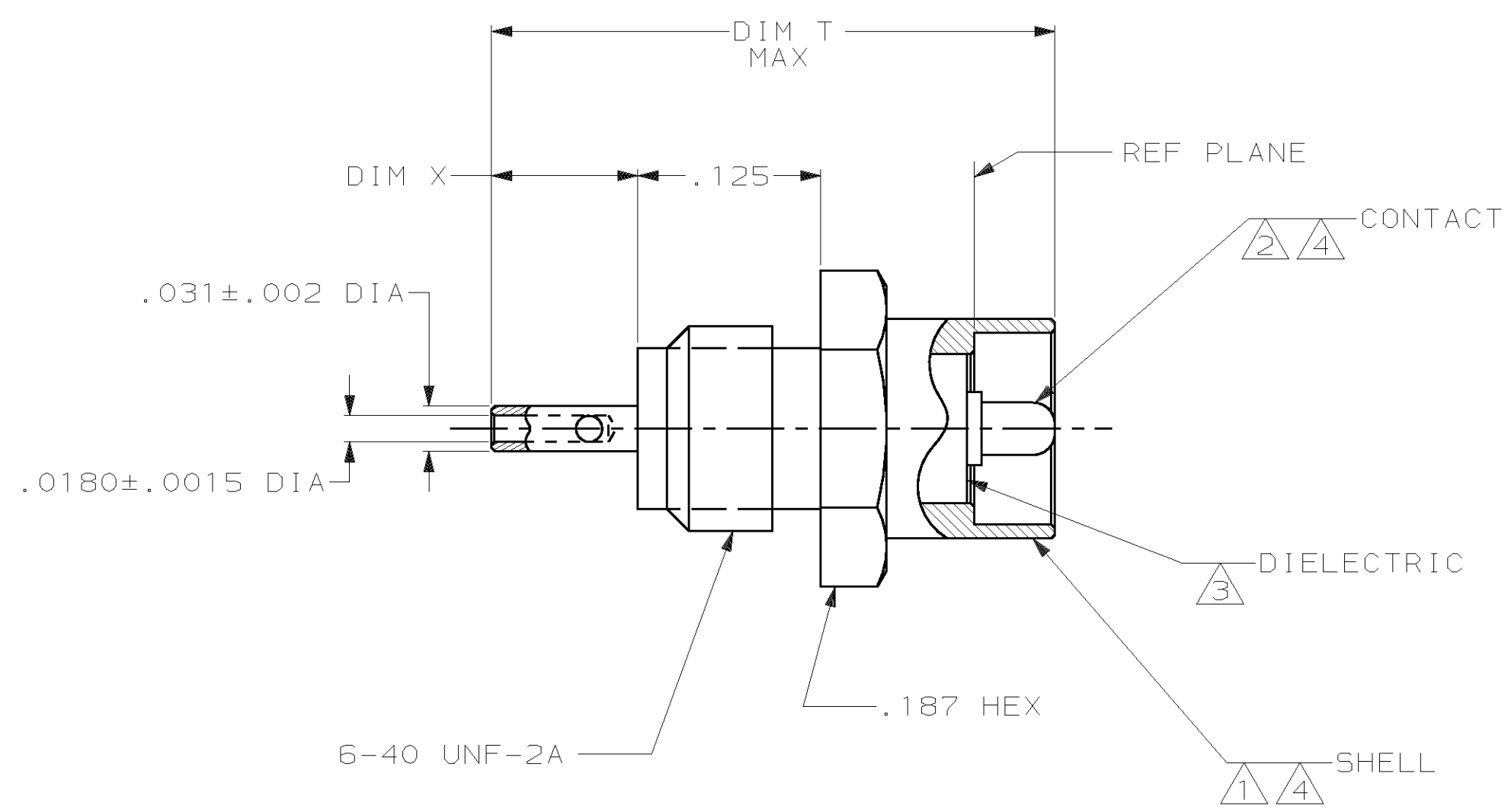
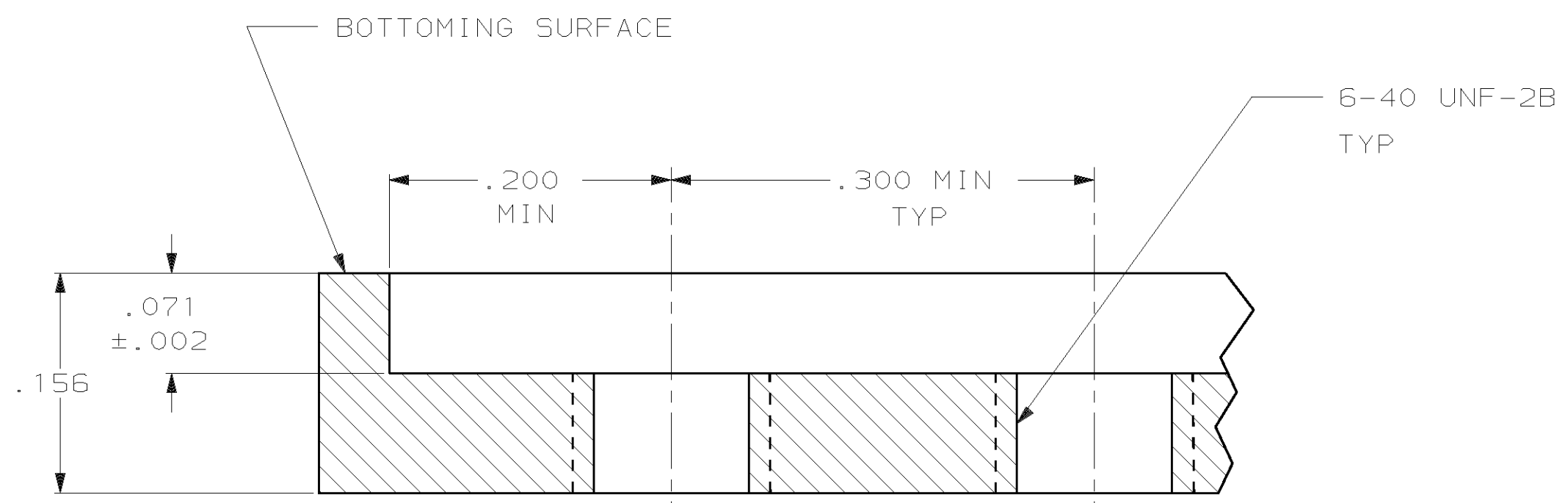


THIS DRAWING IS UNPUBLISHED. RELEASED FOR PUBLICATION .19  
 (C) COPYRIGHT 19 BY AMP INCORPORATED. ALL RIGHTS RESERVED.

LOC		DIST		REVISIONS			
P	LTR	DESCRIPTION	DATE	DWN	APVD		
	A	REV PER 063D-0481-01	11-01	CT	RG		



- ① BERYLLIUM COPPER PER QQ-C-530
- ② BRASS PER QQ-B-626
- ③ PTFE PER MIL-P-19468
- ④ GOLD PL PER MIL-G-45204



PANEL LAYOUT

OBSOLETE	.465	.125	413020-3
	-	-	413020-2
	.400	.060	413020-1
	DIM T	DIM X	PART NUMBER

THIS DRAWING IS A CONTROLLED DOCUMENT.		DWN T. THOMPSON 2-21-95	<b>tyco</b> TYCO Electronics Corporation Harrisburg, PA 17105-3608	RESTRICTED TO
DIMENSIONS: INCHES		CHK L. LE 2-21-95		
TOLERANCES UNLESS OTHERWISE SPECIFIED:		APVD L. LE 2-21-95	LAUNCHER, BL INDMATE, 2.8MM	
0 PLC ±-		PRODUCT SPEC -	SIZE A2	CAGE CODE 00779
1 PLC ±-		APPLICATION SPEC -	DRAWING NO 413020	REV A
2 PLC ±-		WEIGHT -	SCALE 10:1	SHEET 1 OF 1
3 PLC ±.00B		CUSTOMER DRAWING		
4 PLC ±-				
ANGLES ±5°				
MATERIAL ① ② ③		FINISH ④		