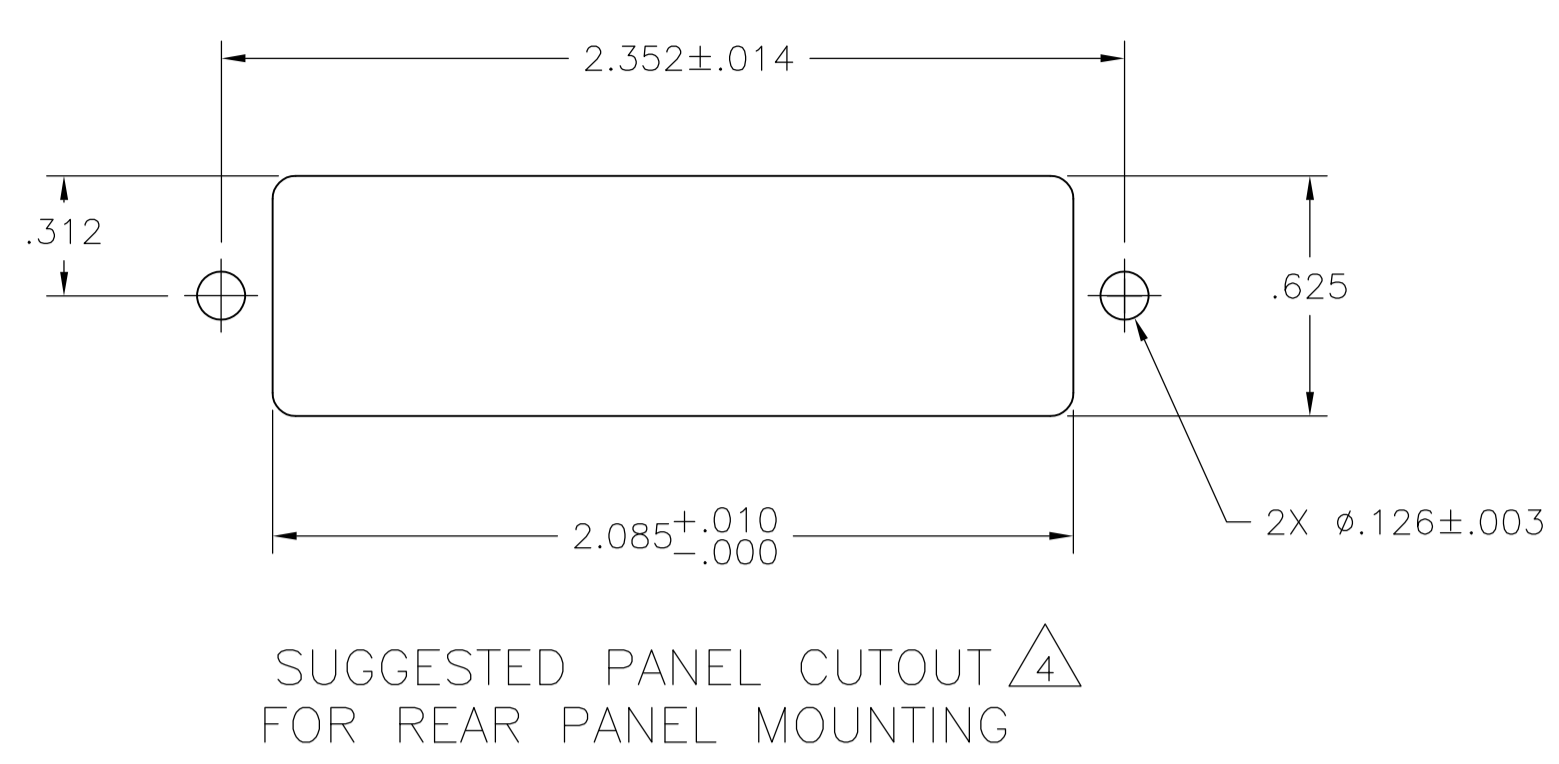
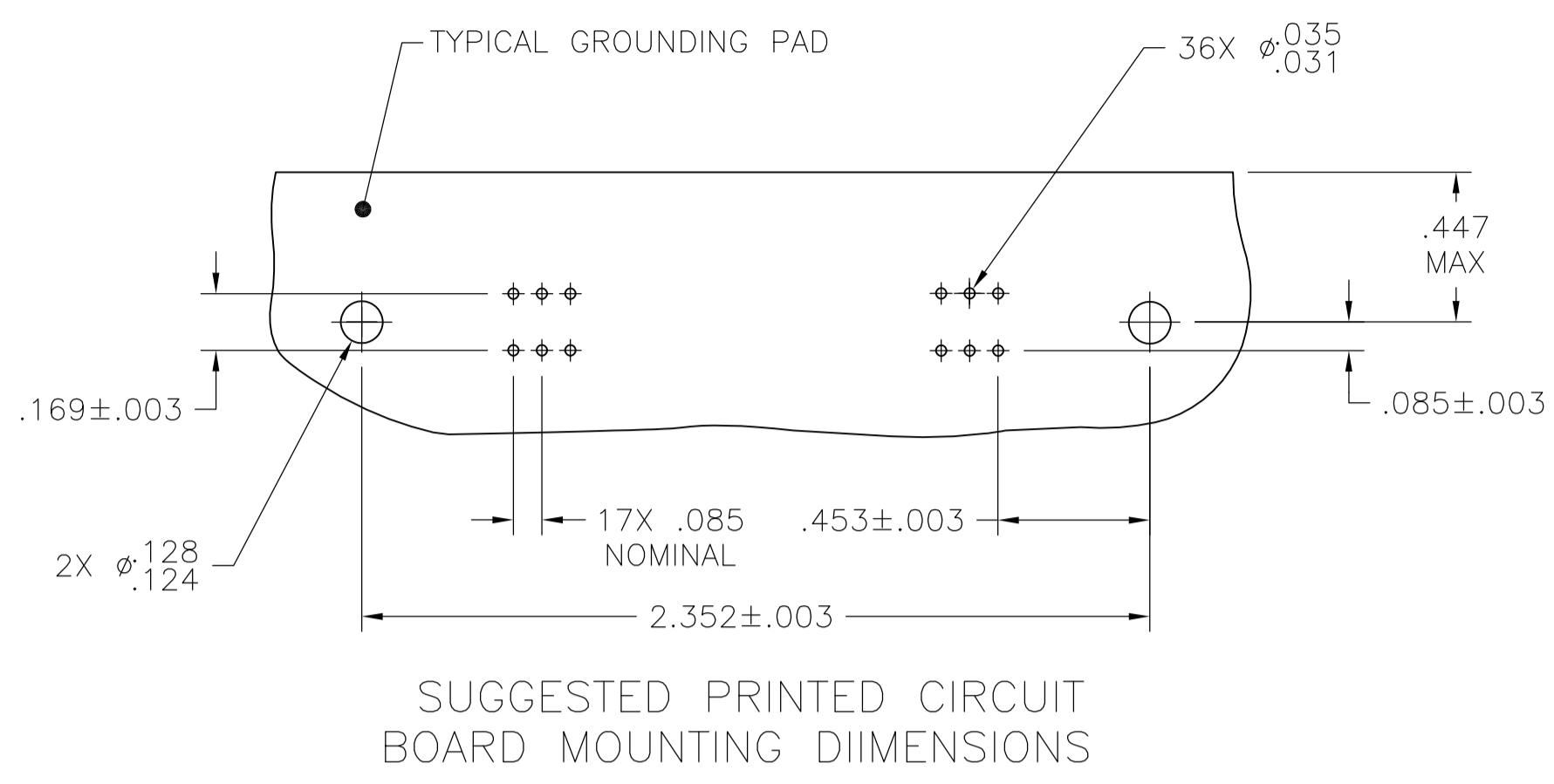
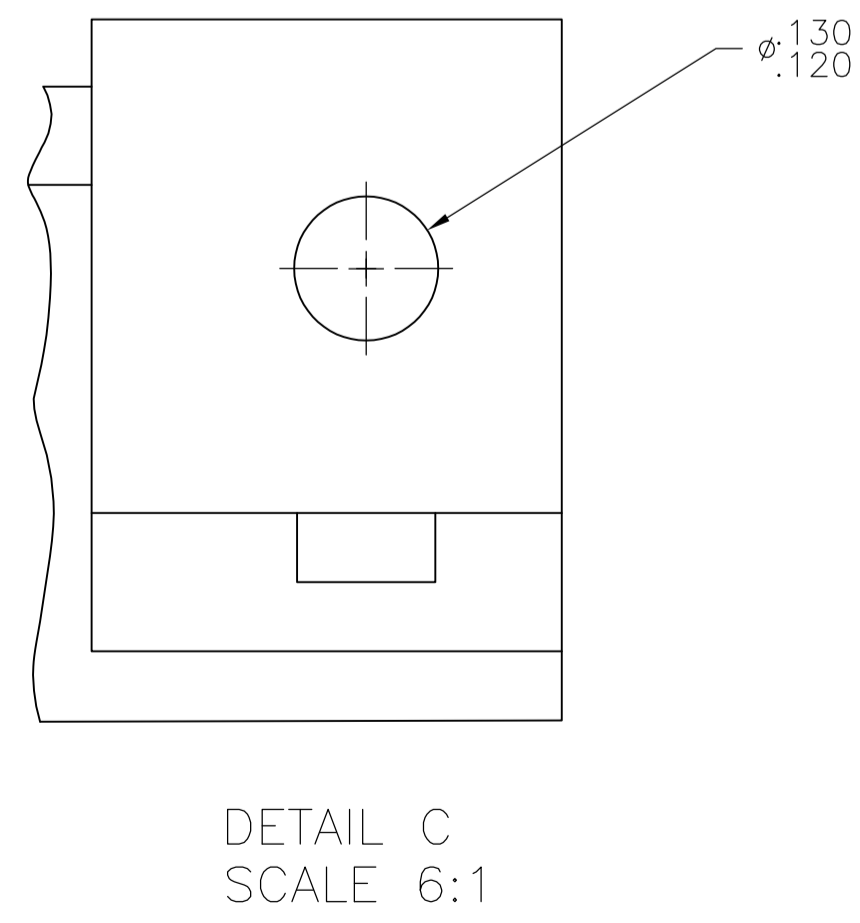
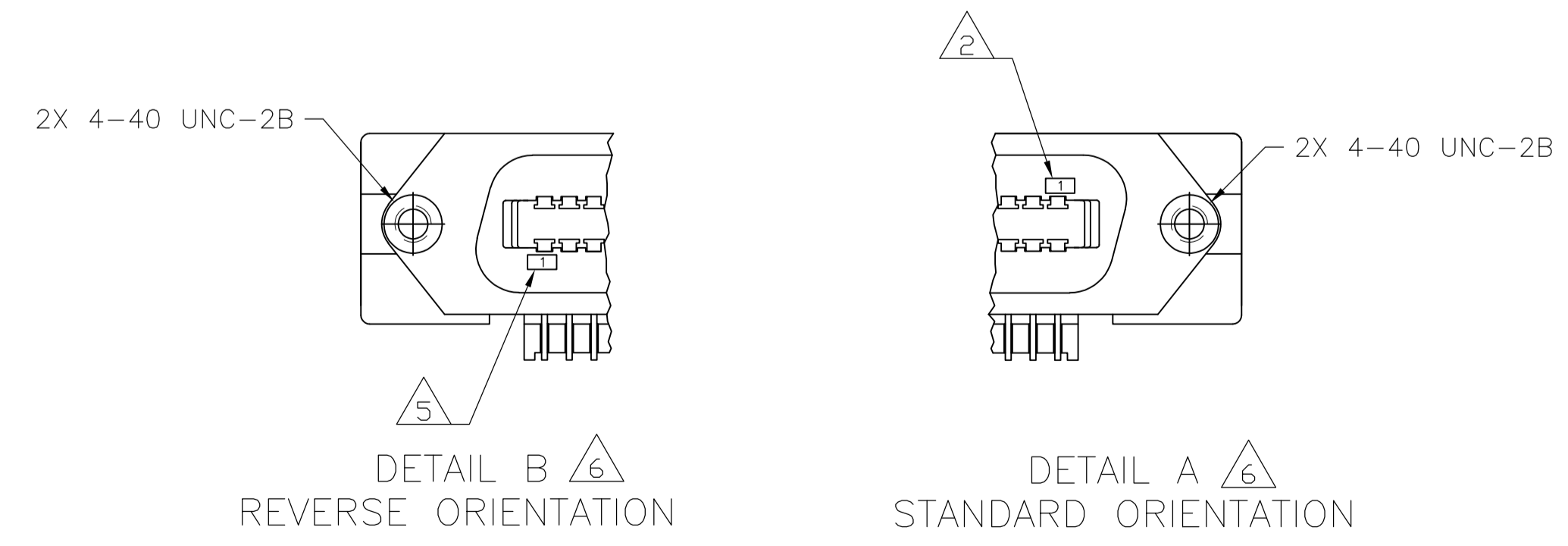
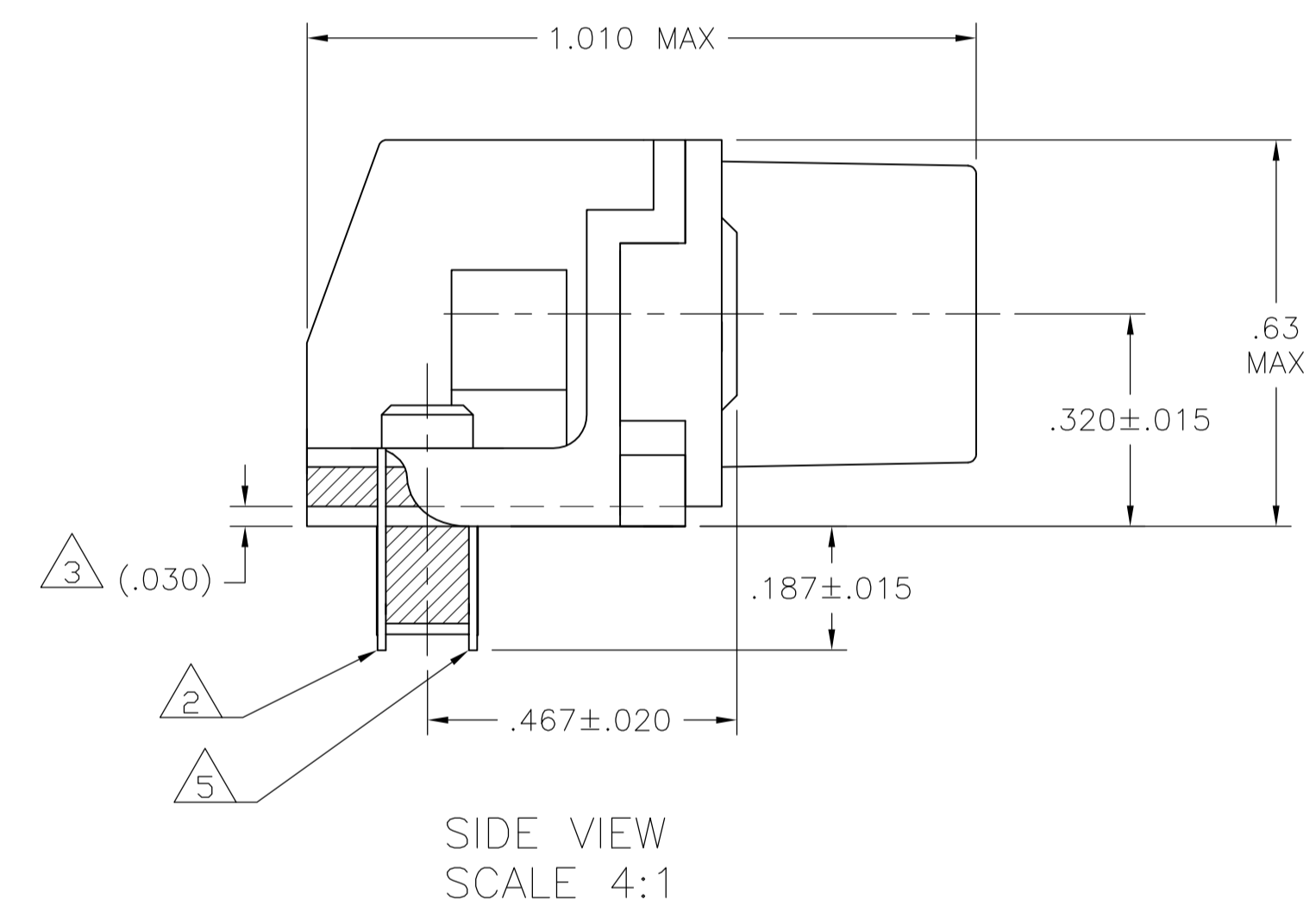
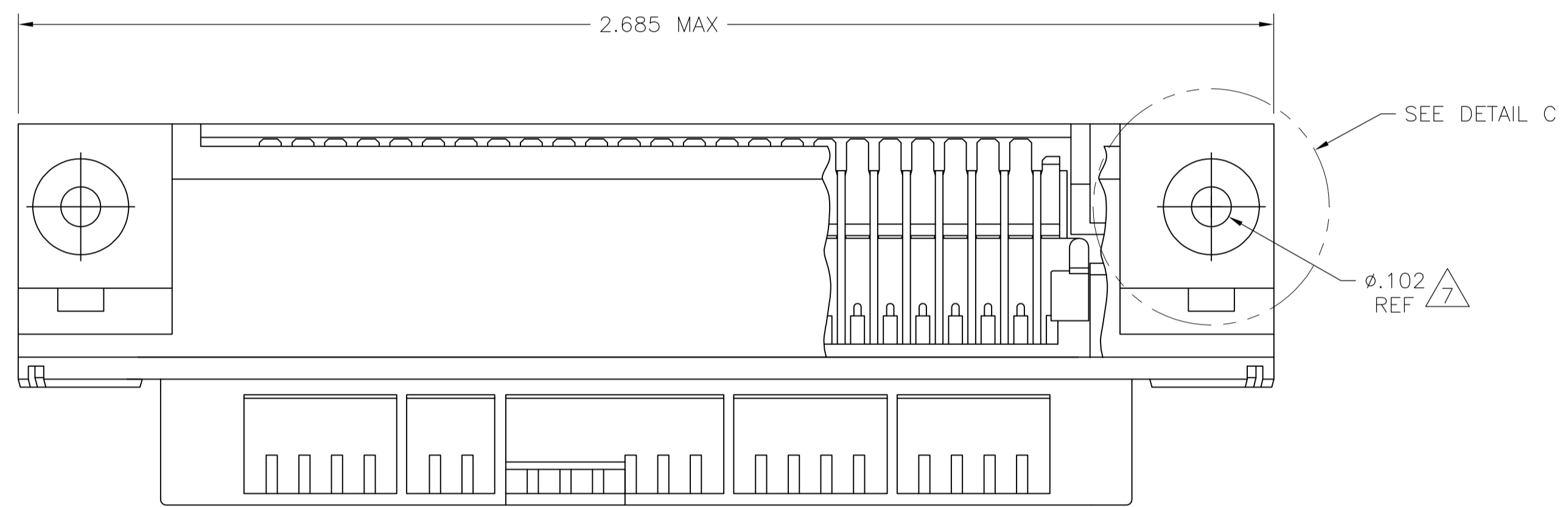


LOC		DIST		REVISIONS			
GP	00	REV	DATE	BY	CHK	APP	
D		REVISED PER ECO-08-007327	08APR08	BM	WM		
D1		REVISED PER ECO-10-000444	19JAN10	KK	HMR		



- Δ 1 MATERIAL:
HOUSING, BRACKET, ADAPTER COMB AND PLATE: THERMOPLASTIC, BLACK, 94V-0 RATED.
TERMINALS - HIGH STRENGTH COPPER ALLOY PLATED WITH EITHER .000030 MIN GOLD PLATE OR GOLD FLASH OVER PALLADIUM NICKEL PLATE, .000030 MIN TOTAL ON MATING SURFACE. .000120 MIN TIN PLATE ON TAILS. ALL OVER .000050 MIN NICKEL UNDERPLATE OVER ENTIRE TERMINAL.
- Δ 2 TERMINAL 1 IS LOCATED IN THIS ROW FOR 5552742-1 & -3.
- Δ 3 TERMINAL SUPPORT PLATE CLEARANCE FOR TERMINAL STRAIN RELIEF AND FLUX REMOVAL.
- Δ 4 PANEL THICKNESS RANGE: .062 MAX.
- Δ 5 TERMINAL 1 IS LOCATED IN THIS ROW FOR 5552742-2.
- Δ 6 DETAILS A & B ARE VIEWED FROM MATING SIDE OF RECEPTACLE ASSEMBLY.
- Δ 7 FOR USE WITH A NO. 4 BT TYPE SELF TAPPING SCREW.
- Δ 8 OBSOLETE PARTS: OBSOLETE CIS STREAMLINING PER D.RENAUD/D.SINISI



TYPE OF MOUNTING	DESCRIPTION	PART NUMBER
Δ 8 OBSOLETE	THRU BOLT SEE DETAIL C	SEE DETAIL A Δ 2 5552742-3
OBSOLETE	SELF-TAPPING Δ 7	SEE DETAIL B Δ 5 5552742-2
	SELF-TAPPING Δ 7	SEE DETAIL A Δ 2 5552742-1

THIS DRAWING IS A CONTROLLED DOCUMENT.

DIMENSIONS: INCHES	TOLERANCES UNLESS OTHERWISE SPECIFIED:	DIN 15000	10AUG05	McMASTER	10AUG05	Tyco Electronics Corporation
ϕ	0 PLC ± -	15000	10AUG05	W. MILLHIMES	10AUG05	Harrisburg, PA 17105-3608
	1 PLC ± -	15000	10AUG05	M. W. WILMISEY	10AUG05	
	2 PLC ± -	15000	10AUG05		10AUG05	
	3 PLC ± -	15000	10AUG05		10AUG05	
	4 PLC ± -	15000	10AUG05		10AUG05	
	ANGLES ± -	15000	10AUG05		10AUG05	

NAME: ASSEMBLY RECEPTACLE, 36 POSITION, RIGHT ANGLE, PRINTED CIRCUIT BOARD (CHAMP-LOK, THRU-BOLT & SELF-TAPPING)

SIZE: A1 CAGE CODE: 00779 DRAWING NO: 5552742

WEIGHT: -

CUSTOMER DRAWING SCALE: 2:1 SHEET: 1 OF 1 REV: D1