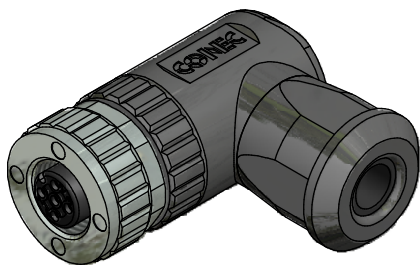
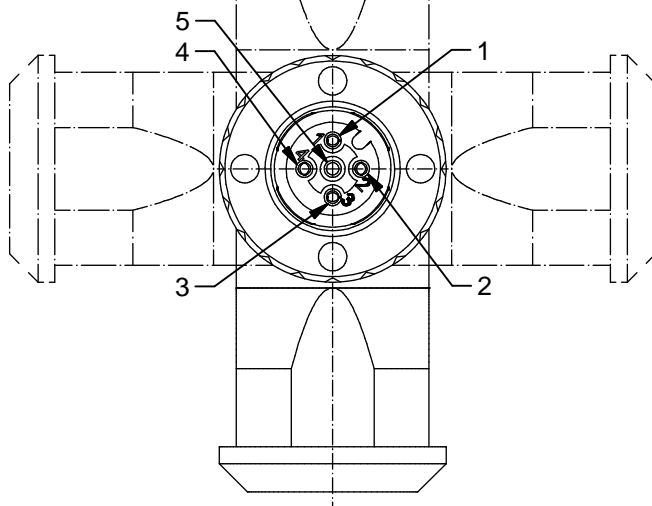


Housing in angled version is mountable in 90° angular degree positions

A-coding

4pos / 5pos



Technical specification:

Rated voltage: IEC 61076-2-101	4pos 5pos 250 V 60 V
Current rating: IEC 61076-2-101	7,5 A at 40°C, with 1,5mm ²
Insulation resistance: IEC 60512	>=100 MΩ
Pollution degree: IEC 60664-1	3/2
Degree of protection: IEC 60529	IP 67, in mated condition
Temperature range:	-30°C ... +85°C
Mating cycles: IEC 60512-9a	>=100
Wire cross section:	max. AWG16 / max. 1,50 mm ² (incl. sleeve)

Materials:

Contact:	CuZn
Contact plating:	Au over Ni
Contact carrier:	PA6, UL 94
Cable seal:	Elastomere
O-Ring:	FPM / NBR
Coupling nut:	GD-Zn, Ni plated
Housing:	PA6 GF, UL 94

Installation specification:

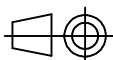
Recommended torque:	0,6 Nm
Conec installation tooling:	Torque wrench: 36-000200 Insert across flats 18: 36-000240
Recommended torque, screw termination contact:	0,3 Nm

Part no:	Description:	Pos:	Cable-Ø:
43-00096	SAL - 12 - RKWC4 - S / 150	4	4 - 8 mm
43-00098	SAL - 12 - RKWC5 - S / 150	5	4 - 8 mm

DO NOT ALTER CAD DRAWING BY HAND

Directive 2002/95/EC RoHS compliant

Index: d 17.03.14 BS Ä5133
data sheet a. description modified



dim. in mm

	date	name
drawn	19.01.09	Burschik
appd.	19.01.09	Schmidt

general tolerance:	0 ± 0,50mm
	0,0 ± 0,25mm
	0,00 ± 0,10mm



THIS DRAWING MAY NOT BE COPIED OR REPRODUCED IN ANY WAY, AND MAY NOT BE PASSED ON TO A THIRD PARTY WITHOUT WRITTEN PERMISSION. OWNERSHIP AND COPYRIGHT OF CONEC GmbH

title: Female connector M12x1, field attachable, angled, screw connection

dwg no:

43K1A835

part no:

see table