

AN-1457 LP3884X-ADJ Evaluation Board

1 Introduction

The LP38841-ADJ and LP38842-ADJ are ultra low dropout linear regulators that provide adjustable output voltages and load currents up to 800 mA (LP38841) and 1.5A (LP38842). This document describes the evaluation board provided to demonstrate the performance of these parts.

2 Basic Application Circuit

The basic application circuit shown in [Figure 1](#) reflects the electrical connections and component identifiers used on the evaluation board.

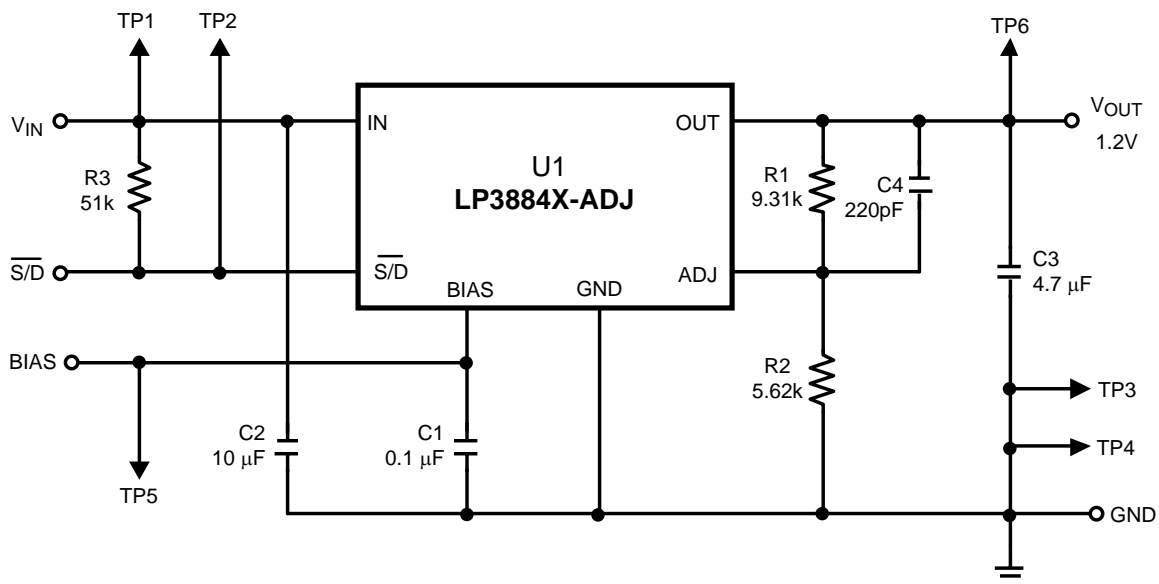


Figure 1. Basic Application Circuit Schematic

3 Capacitor C4 (Feedforward Compensation)

The feedforward capacitor C4 is used to provide increased phase margin. Any good quality X5R/X7R dielectric ceramic capacitor can be used. The value of capacitance for C4 depends on the value of R1. C4 may be calculated using the formula in [Equation 1](#):

$$C4 = 1 / (2 \times \pi \times 70k \times R1) \tag{1}$$

The value of C4 is calculated after R1 is selected to set the output voltage needed for the specific application.

4 Setting the Output Voltage

The first build of evaluation boards used R1/R2 values, which set the output voltage to 1.2 V. The nominal output voltage is easily changed by replacing R1. The formula that can be used to calculate the new value of R1 for a different output voltage is shown in [Equation 2](#):

$$V_{OUT} = V_{ADJ} (R1/R2) + V_{ADJ} \quad (2)$$

Solved for R1:

$$R1 = (V_{OUT} - V_{ADJ}) / V_{ADJ} \times R2 \quad (3)$$

The evaluation board is shipped with a 5.62 kΩ resistor installed at R2.

5 Power Dissipation

Power dissipation must be limited so that the junction temperature does not exceed 125°C. Power dissipation can be calculated using [Equation 4](#):

$$P_{DISS} = ((V_{IN} - V_{OUT}) \times I_{LOAD}) + (V_{IN} \times I_{Q(VIN)}) + (V_{BIAS} \times I_{Q(VBIAS)}) \quad (4)$$

In calculating junction temperature, a value of θ_{J-A} (junction-to-ambient thermal resistance) of approximately 50°C/W should be assumed for this board. Junction temperature (T_J) is calculated using [Equation 5](#):

$$T_J = P_{DISS} \times \theta_{(J-A)} + T_{AMBIENT} = P_{DISS} \times 50 + T_{AMBIENT} \quad (5)$$

Table 1. Component List

PCB	551012613-001 Rev A
U1	LP38842
TP1, TP2, TP3, TP4, TP5, TP6	Test point terminal, NEWARK 97H6311
VIN CONNECTOR	Banana jack (RED): DIGI-KEY 108-0902-001
VOUT CONNECTOR	Banana jack (BLUE): DIGI-KEY 108-0910-001
GROUND CONNECTOR	Banana jack (BLACK): DIGI-KEY 108-0903-001
S/D CONNECTOR	Banana jack (YELLOW): DIGI-KEY 108-0907-001
BIAS CONNECTOR	Banana jack (GREEN): DIGI-KEY 108-0904-001
R1	Banana, 0805 case, 9.31 kΩ, 1% DIGI-KEY 311-(9.31K)CCT-ND
R2	Resistor, 0805 case, 5.62 kΩ, 1% DIGI-KEY 311-(5.62K)CCT-ND
R3	R3: resistor, 0805 case, 51 kΩ, 5% DIGI-KEY 311-(51K)ACT-ND
C1	Ceramic capacitor, 0805 case, 0.1 μF, X5R/X7R dielectric: DIGI-KEY 478-3351-1-ND
C2	Ceramic capacitor, 10 μF, Taiyo-Yuden #LMK325BJ106MN
C3	Ceramic capacitor, 4.7 μF, Taiyo-Yuden # JMK316BJ475MD
C4	Ceramic capacitor, 0805 case, 220 pF, X5R/X7R dielectric: DIGI-KEY 311-1123-1-ND

6 PCB Layout Diagram

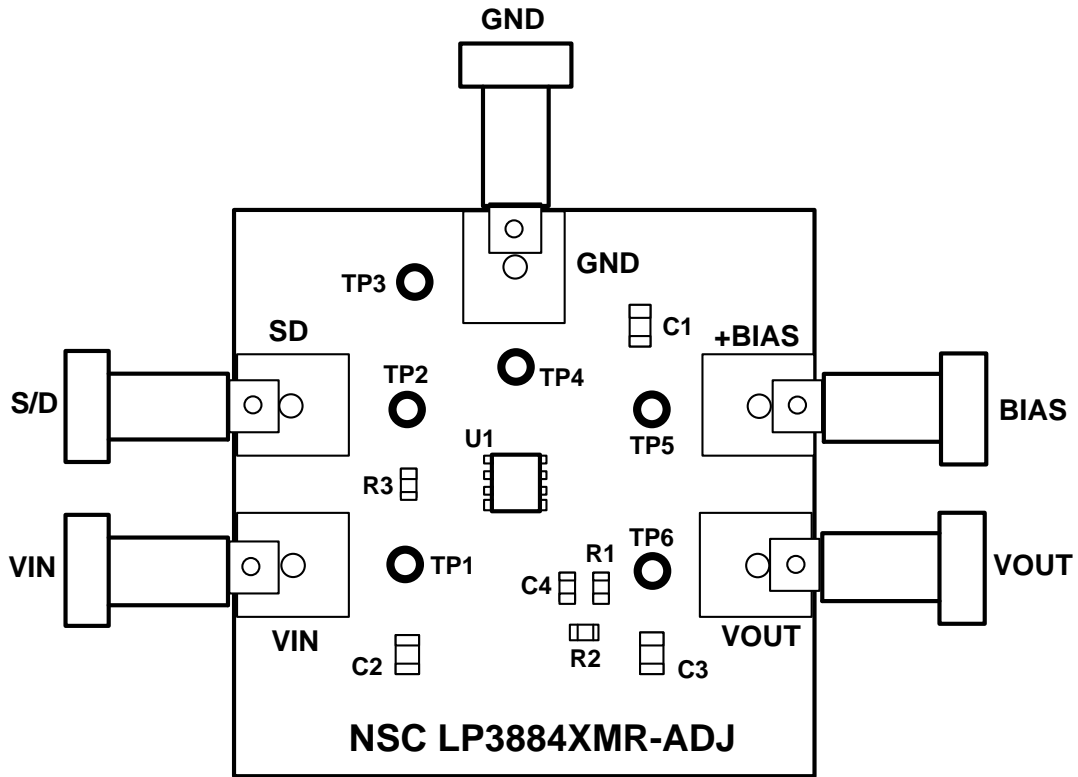


Figure 2. Top View

IMPORTANT NOTICE

Texas Instruments Incorporated and its subsidiaries (TI) reserve the right to make corrections, enhancements, improvements and other changes to its semiconductor products and services per JESD46, latest issue, and to discontinue any product or service per JESD48, latest issue. Buyers should obtain the latest relevant information before placing orders and should verify that such information is current and complete. All semiconductor products (also referred to herein as "components") are sold subject to TI's terms and conditions of sale supplied at the time of order acknowledgment.

TI warrants performance of its components to the specifications applicable at the time of sale, in accordance with the warranty in TI's terms and conditions of sale of semiconductor products. Testing and other quality control techniques are used to the extent TI deems necessary to support this warranty. Except where mandated by applicable law, testing of all parameters of each component is not necessarily performed.

TI assumes no liability for applications assistance or the design of Buyers' products. Buyers are responsible for their products and applications using TI components. To minimize the risks associated with Buyers' products and applications, Buyers should provide adequate design and operating safeguards.

TI does not warrant or represent that any license, either express or implied, is granted under any patent right, copyright, mask work right, or other intellectual property right relating to any combination, machine, or process in which TI components or services are used. Information published by TI regarding third-party products or services does not constitute a license to use such products or services or a warranty or endorsement thereof. Use of such information may require a license from a third party under the patents or other intellectual property of the third party, or a license from TI under the patents or other intellectual property of TI.

Reproduction of significant portions of TI information in TI data books or data sheets is permissible only if reproduction is without alteration and is accompanied by all associated warranties, conditions, limitations, and notices. TI is not responsible or liable for such altered documentation. Information of third parties may be subject to additional restrictions.

Resale of TI components or services with statements different from or beyond the parameters stated by TI for that component or service voids all express and any implied warranties for the associated TI component or service and is an unfair and deceptive business practice. TI is not responsible or liable for any such statements.

Buyer acknowledges and agrees that it is solely responsible for compliance with all legal, regulatory and safety-related requirements concerning its products, and any use of TI components in its applications, notwithstanding any applications-related information or support that may be provided by TI. Buyer represents and agrees that it has all the necessary expertise to create and implement safeguards which anticipate dangerous consequences of failures, monitor failures and their consequences, lessen the likelihood of failures that might cause harm and take appropriate remedial actions. Buyer will fully indemnify TI and its representatives against any damages arising out of the use of any TI components in safety-critical applications.

In some cases, TI components may be promoted specifically to facilitate safety-related applications. With such components, TI's goal is to help enable customers to design and create their own end-product solutions that meet applicable functional safety standards and requirements. Nonetheless, such components are subject to these terms.

No TI components are authorized for use in FDA Class III (or similar life-critical medical equipment) unless authorized officers of the parties have executed a special agreement specifically governing such use.

Only those TI components which TI has specifically designated as military grade or "enhanced plastic" are designed and intended for use in military/aerospace applications or environments. Buyer acknowledges and agrees that any military or aerospace use of TI components which have **not** been so designated is solely at the Buyer's risk, and that Buyer is solely responsible for compliance with all legal and regulatory requirements in connection with such use.

TI has specifically designated certain components as meeting ISO/TS16949 requirements, mainly for automotive use. In any case of use of non-designated products, TI will not be responsible for any failure to meet ISO/TS16949.

Products

Audio	www.ti.com/audio
Amplifiers	amplifier.ti.com
Data Converters	dataconverter.ti.com
DLP® Products	www.dlp.com
DSP	dsp.ti.com
Clocks and Timers	www.ti.com/clocks
Interface	interface.ti.com
Logic	logic.ti.com
Power Mgmt	power.ti.com
Microcontrollers	microcontroller.ti.com
RFID	www.ti-rfid.com
OMAP Applications Processors	www.ti.com/omap
Wireless Connectivity	www.ti.com/wirelessconnectivity

Applications

Automotive and Transportation	www.ti.com/automotive
Communications and Telecom	www.ti.com/communications
Computers and Peripherals	www.ti.com/computers
Consumer Electronics	www.ti.com/consumer-apps
Energy and Lighting	www.ti.com/energy
Industrial	www.ti.com/industrial
Medical	www.ti.com/medical
Security	www.ti.com/security
Space, Avionics and Defense	www.ti.com/space-avionics-defense
Video and Imaging	www.ti.com/video

TI E2E Community

e2e.ti.com