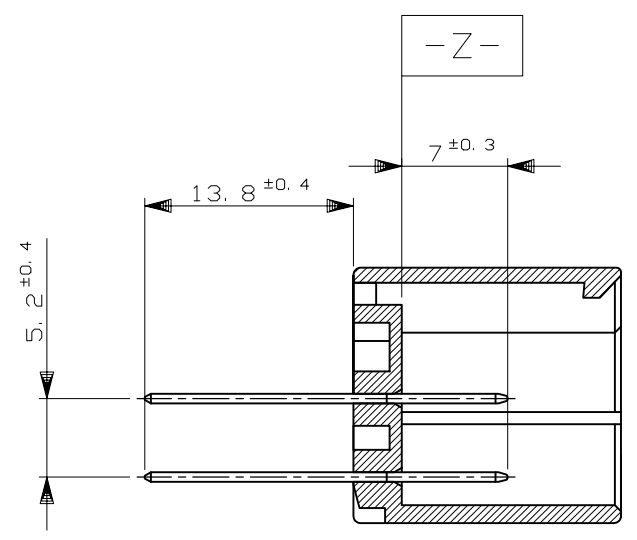
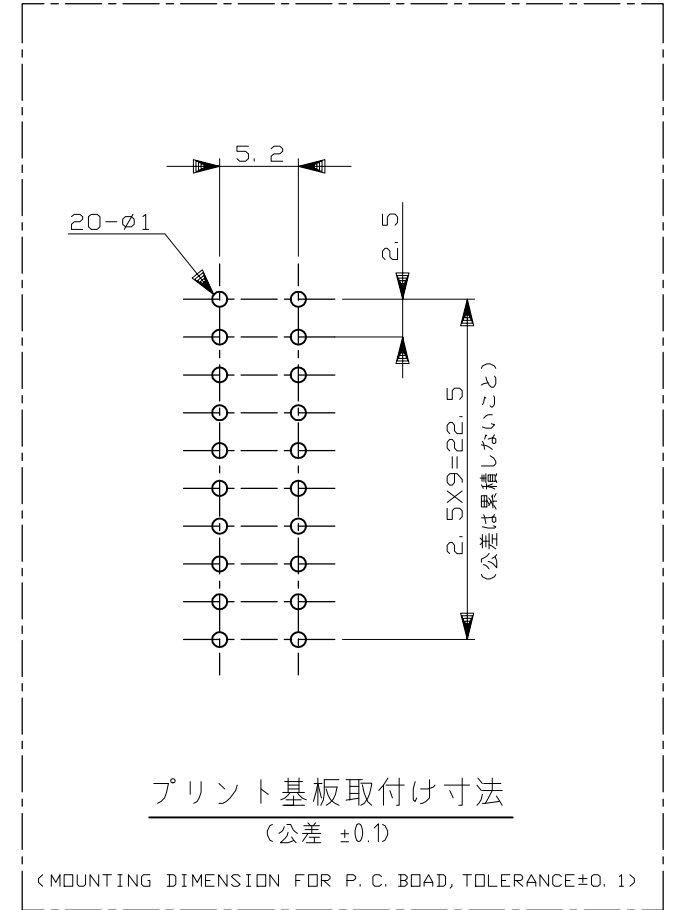
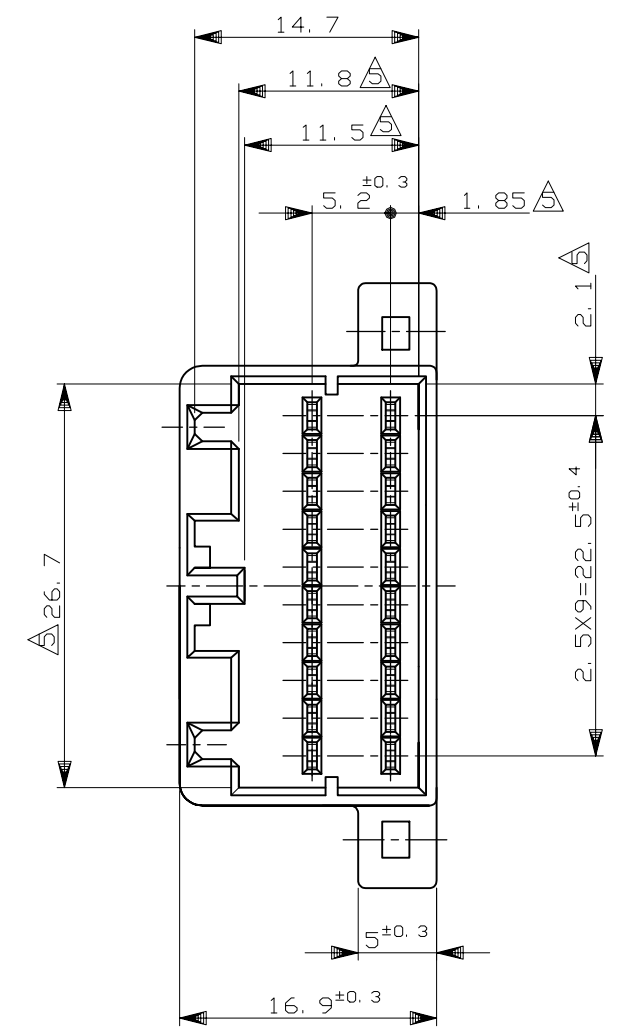
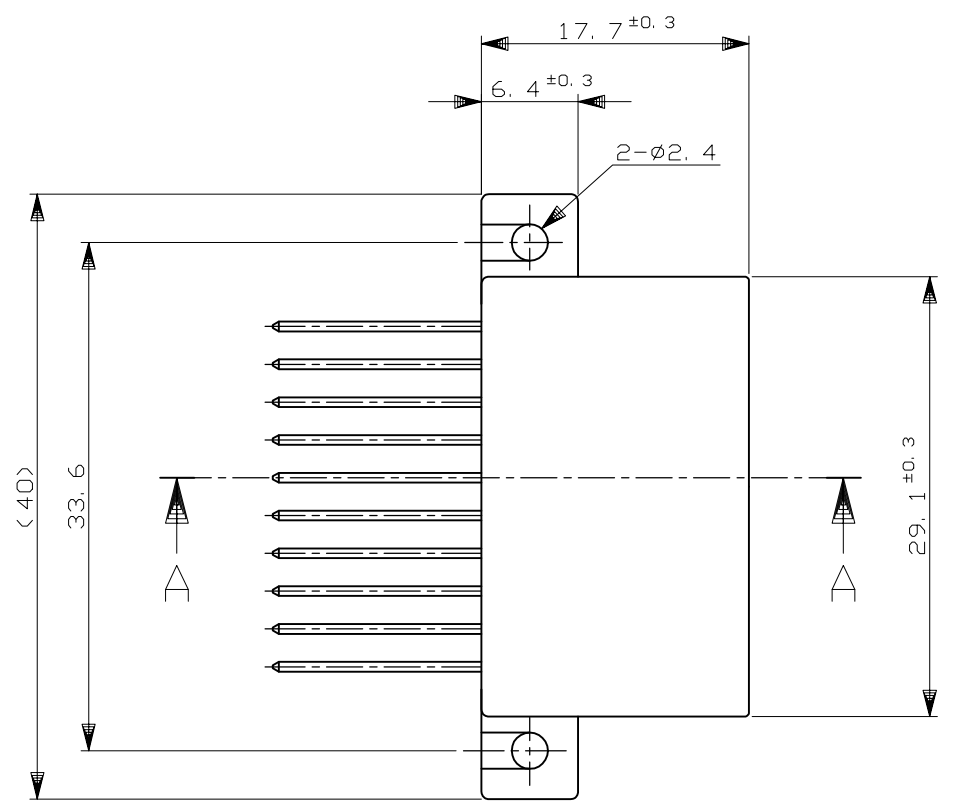


THIS DRAWING IS UNPUBLISHED. RELEASED FOR PUBLICATION  
 © COPYRIGHT - By - ALL RIGHTS RESERVED.

REVISIONS					
P	LTR	DESCRIPTION	DATE	DWN	APVD
	B2	REVISED	ECR-18-015766	07JAN2019	TS YN



1. APPLICABLE P.C.B BOARD THICKNESS ; 1.6mm
  2. RECOMMENDED MOUNTING SCREW 3mm DIA 8mm LENGTH TAPPING SCREW SPECIFIED IN JIS B1115, B1112 (TIGHTENING TORQUE ; 0.392N・m MAX)
  3. THE MATING PLUG HSG. PART NUMBER ; 175967
  4. APPLICABLE PRODUCT SPEC NO. ; 108-5281
- △ TO BE MEASURED WITHIN 2mm FROM [-Z-]

1. 適用プリント基板厚 ; 1.6mm
  2. 推奨取付ネジ ; JIS B1115, B1122 タッピングネジ、ナベ2種呼び径3, 長さ8mm (締付トルク ; 0.392N・m 以下)
  3. 嵌合相手ハウジング ; 175967
  4. 適用製品規格番号 ; 108-5281
- △ [-Z-] 面より2mmの範囲で測定

OBSOLETE	錫メッキ済 (PRE-TINNED)	青 (BLUE)	1-316875-5
OBSOLETE	錫メッキ済 (PRE-TINNED)	黒 (BLACK)	1-316875-2
	CONTACT FINISH (CONTACT 仕上げ)	HSG色 (COLOR)	PART NUMBER

断面 A-A  
 (SECT. A-A)

**OBSOLETE**

GENERAL TOLERANCE

0 < x ≤ 10	: ±0.2
10 < x ≤ 30	: ±0.25
30 < x ≤ 100	: ±0.3
ANGLE	: ±3°

THIS DRAWING IS A CONTROLLED DOCUMENT.

DIMENSIONS: mm	TOLERANCES UNLESS OTHERWISE SPECIFIED:
0 PLC	± -
1 PLC	± -
2 PLC	± -
3 PLC	± -
4 PLC	± -
ANGLES	± -
FINISH	-

MATERIAL  
 ハウジング : PBT  
 コンタクト : 黄銅

DWN	T.SHINOHARA	1/11'96	TE Connectivity		
CHK	M.TSUKAKOSHI	1/11'96			
APVD	A.TOMITA	1/11'96			
PRODUCT SPEC	SEE NOTE 4				
APPLICATION SPEC	-		NAME 040 SERIES MULTI-LOCK I/O CONNECTOR MK-II 20POSITION CAP HOUSING ASSEMBLY		
WEIGHT	6.5 g	SIZE	CAGE CODE	DRAWING NO	RESTRICTED TO
CUSTOMER DRAWING		A3	00779	C-316875	-
SCALE		2:1	SHEET	1 OF 1	REV
					B2