

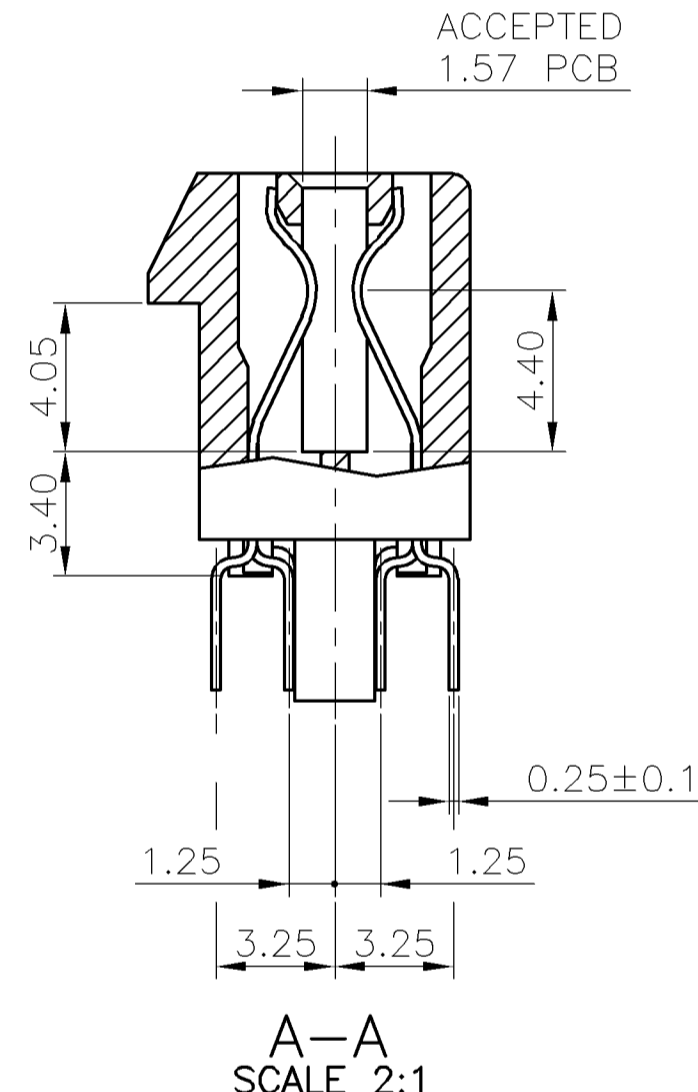
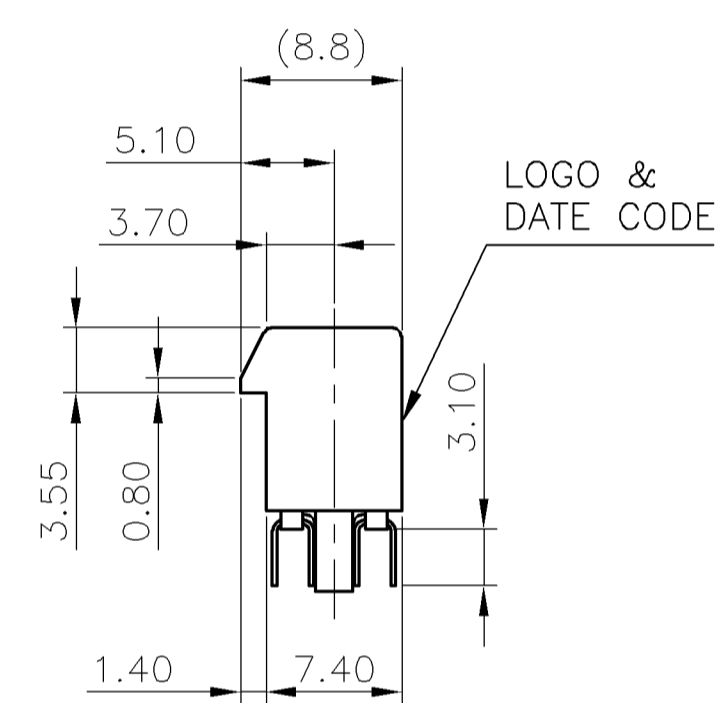
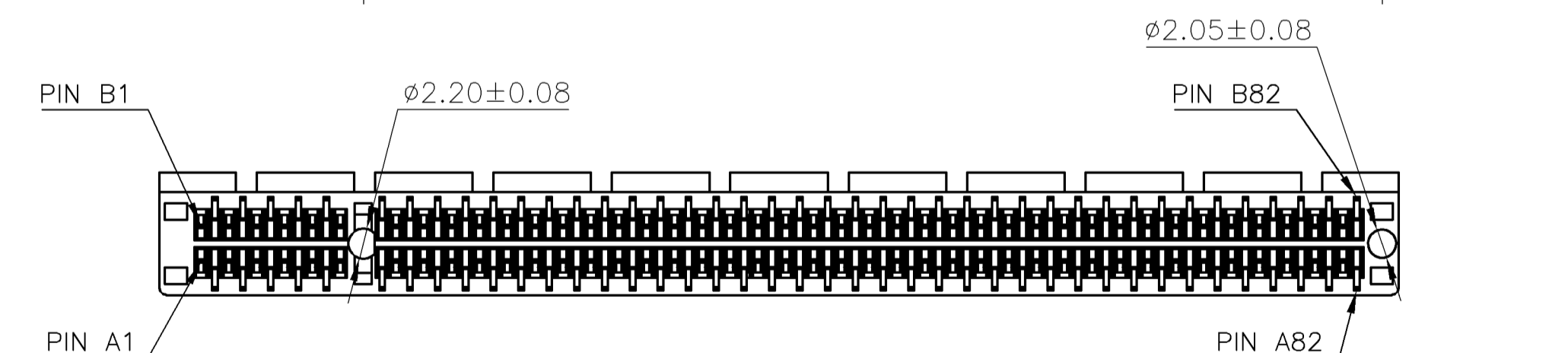
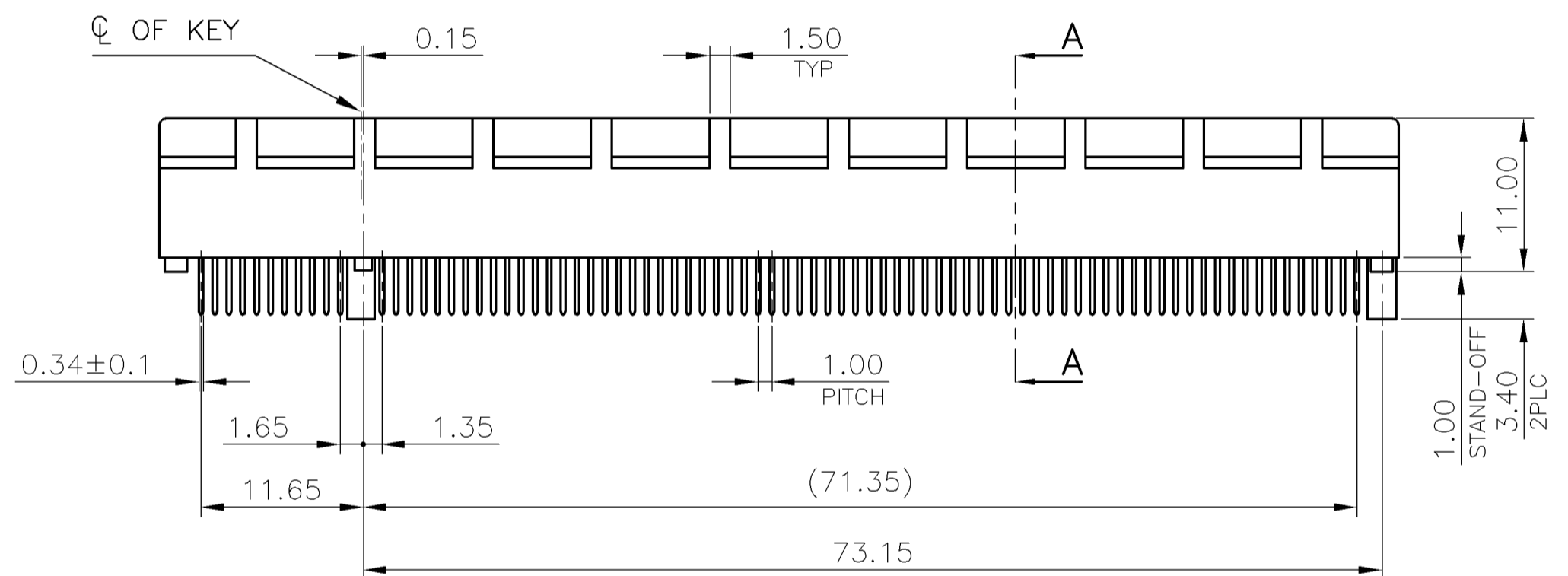
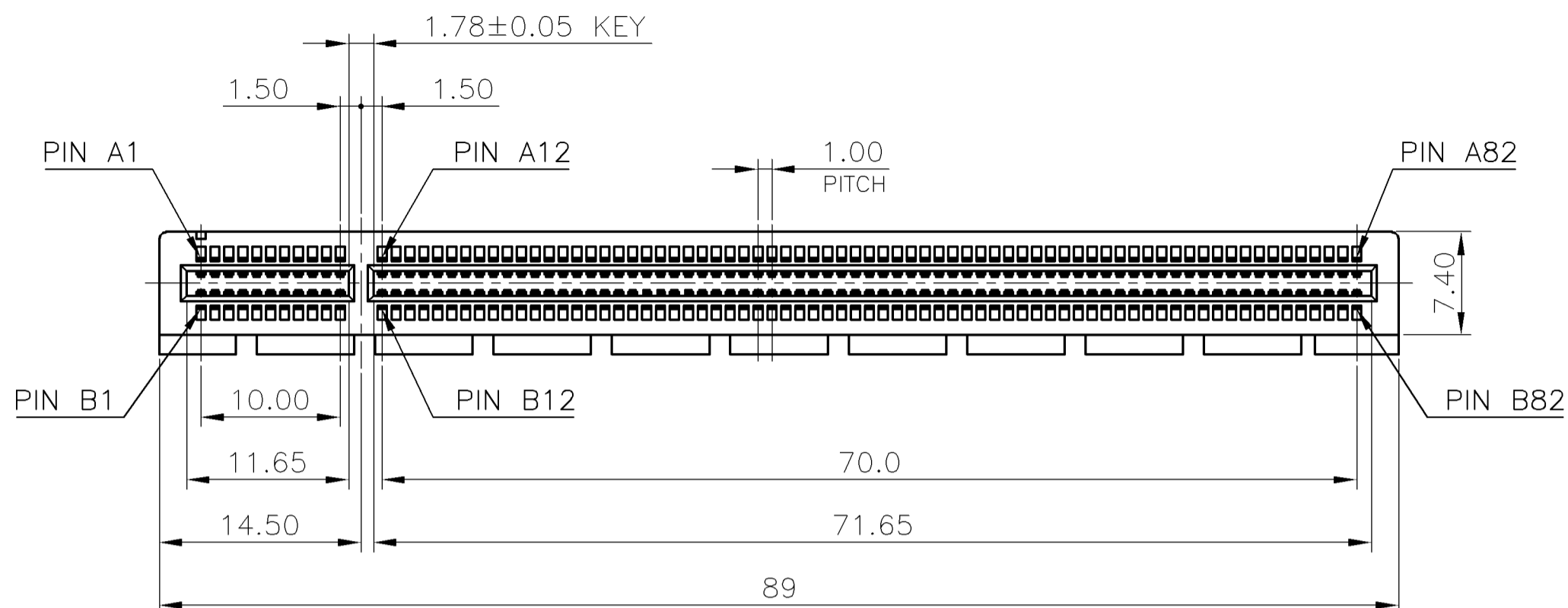
THIS DRAWING IS UNPUBLISHED. RELEASED FOR PUBLICATION AUG ,2006.

© COPYRIGHT - BY TYCO ELECTRONICS CORPORATION. ALL RIGHTS RESERVED.

LOC		DIST		REVISIONS			
P	LTR	DESCRIPTION		DATE	DWN	APVD	
	A1	REVISED (ECR-11-008810) CORRECT NOTE 3 & CHANGE PRODUCT SPEC TO 108-57871		27APR'11	E.L.	W.K.	

NOTES:

- MATERIAL:
  - HOUSING: PA46 WITH 40% G.F, UL94 V-0, COLOR: NATURAL.
  - CONTACT: PHOSPHOR BRONZE.
- FINISH:
  - CONTACT: 0.381um [15u"] MIN. GOLD PLATING ON CONTACT AREA.
  - 2.54um [100u"] MIN. MATTE-TIN PALTING ON SOLDER TAIL AREA.
  - 1.27um [50u"] MIN. NICKEL UNDERPLATING OVERALL.
- WAVE SOLDER CAPABLE TO 265°C PER TEST SPEC. 109-202 CONDITION B.
- WEIGHT: 8.30 GRAMS



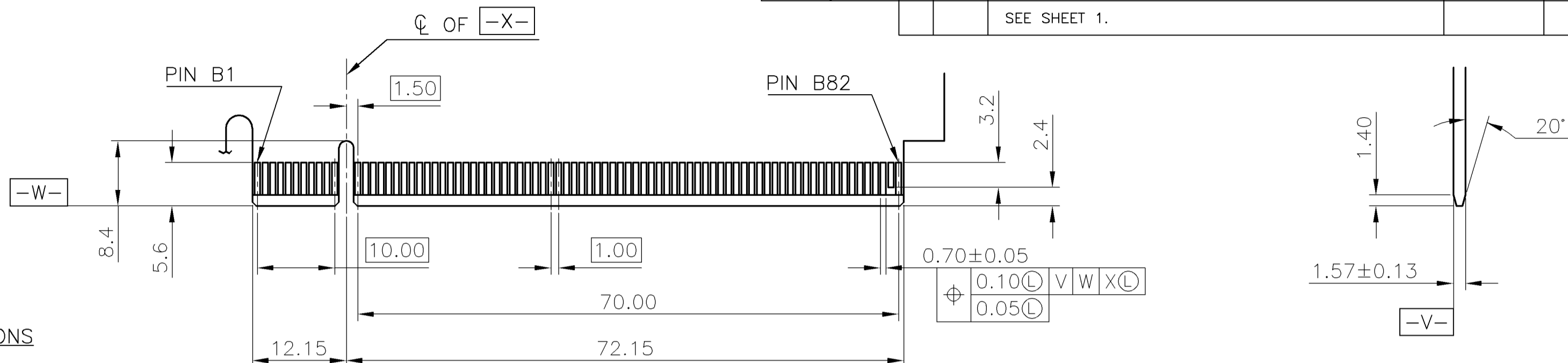
8.40	164	1759921-4
WEIGHT (g)	POS	PART NUMBER

THIS DRAWING IS A CONTROLLED DOCUMENT.		DWN B. HSING 08MAY2009	 TE Connectivity			
DIMENSIONS: MM		CHK S. CHIEN 08MAY2009				
TOLERANCES UNLESS OTHERWISE SPECIFIED:		APVD W. KODAMA 08MAY2009				
0 PLC ± - 1 PLC ± 0.3 2 PLC ± 0.2 3 PLC ± 0.15 4 PLC ± - ANGLES ± 3°		NAME				
MATERIAL SEE NOTE		FINISH SEE NOTE	PRODUCT SPEC 108-57871 APPLICATION SPEC			
SEE NOTE		SEE NOTE	SIZE A3	CAGE CODE 00779	DRAWING NO C=1759921	RESTRICTED TO
CUSTOMER DRAWING		SCALE -	SHEET 1 OF 3	REV A1		

LOC DW DIST

REVISIONS

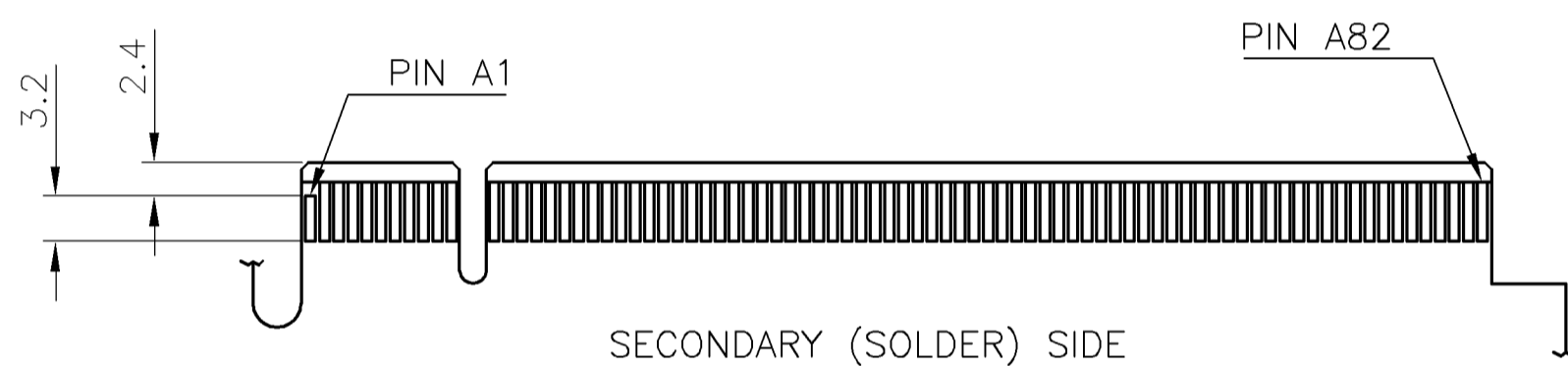
P	LTR	DESCRIPTION	DATE	DWN	APVD
		SEE SHEET 1.			



ADD-IN CARD EDGE-FINGER DIMENSIONS

NOTES:  
CHAMFER EDGE MUST BE FREE OF CUTTING BURRS

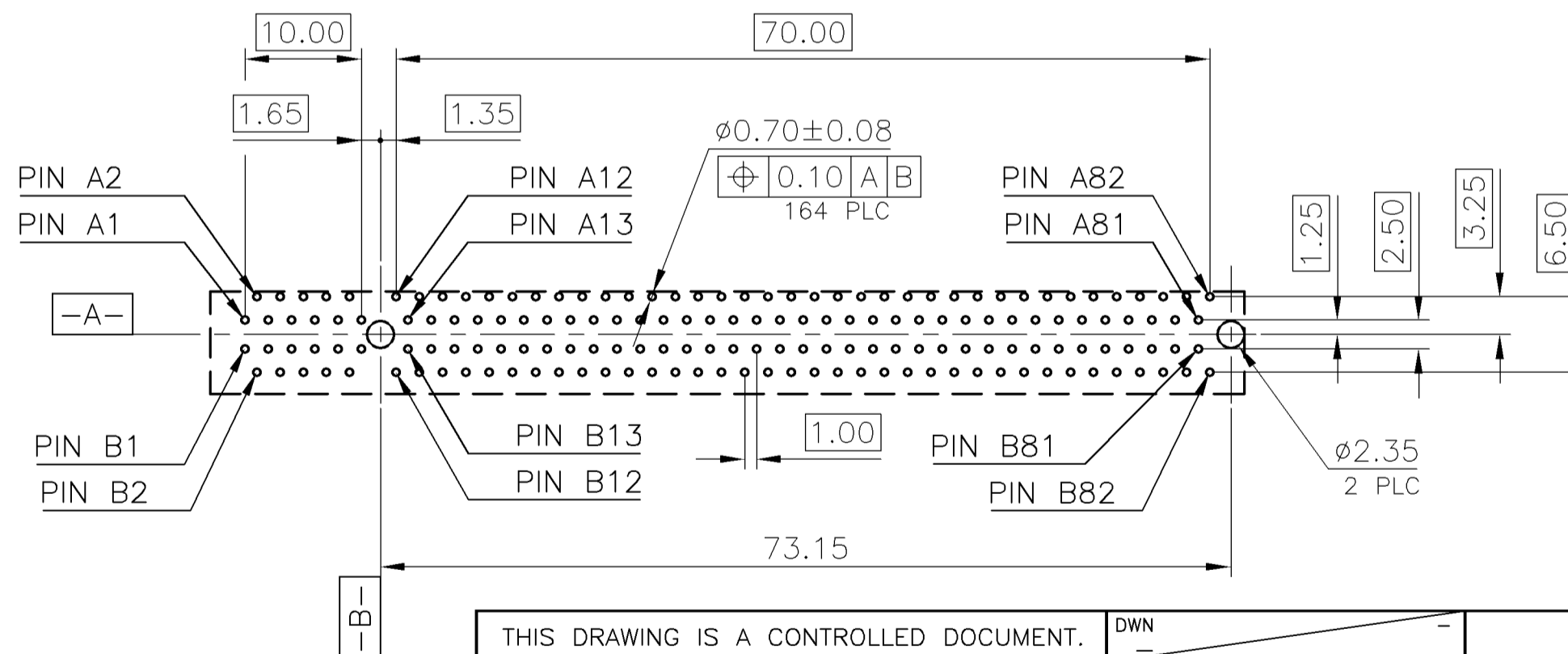
I/O PANEL DIRECTION  
PRIMARY (COMPONENT) SIDE



SECONDARY (SOLDER) SIDE

RECOMMENDED PCB LAYOUT

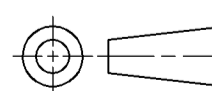
TOLERANCE: ±0.05  
(APPLY TO P.C.B THICKNESS: 2.36mm)



THIS DRAWING IS A CONTROLLED DOCUMENT.

DIMENSIONS:

MM

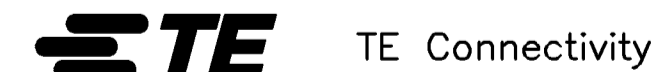


TOLERANCES UNLESS OTHERWISE SPECIFIED:

0 PLC	±
1 PLC	±
2 PLC	±
3 PLC	±
4 PLC	±
ANGLES	±
FINISH	±

MATERIAL

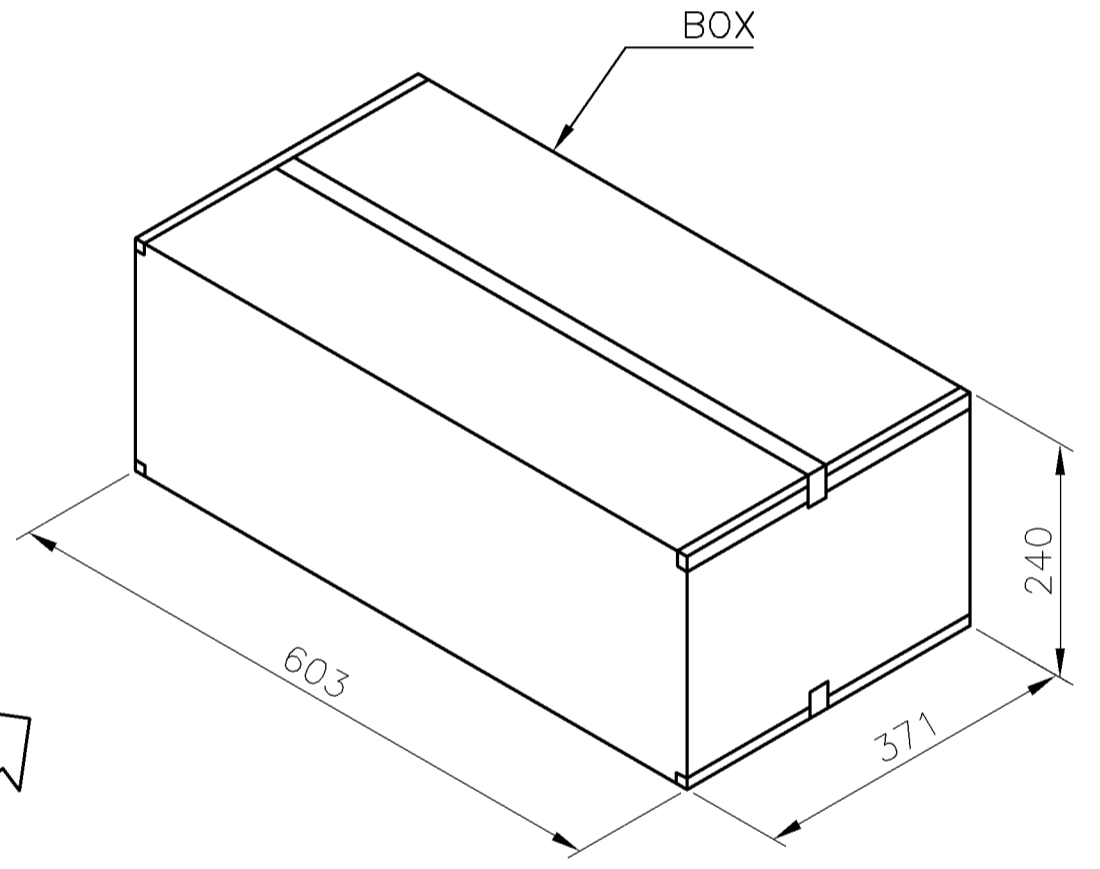
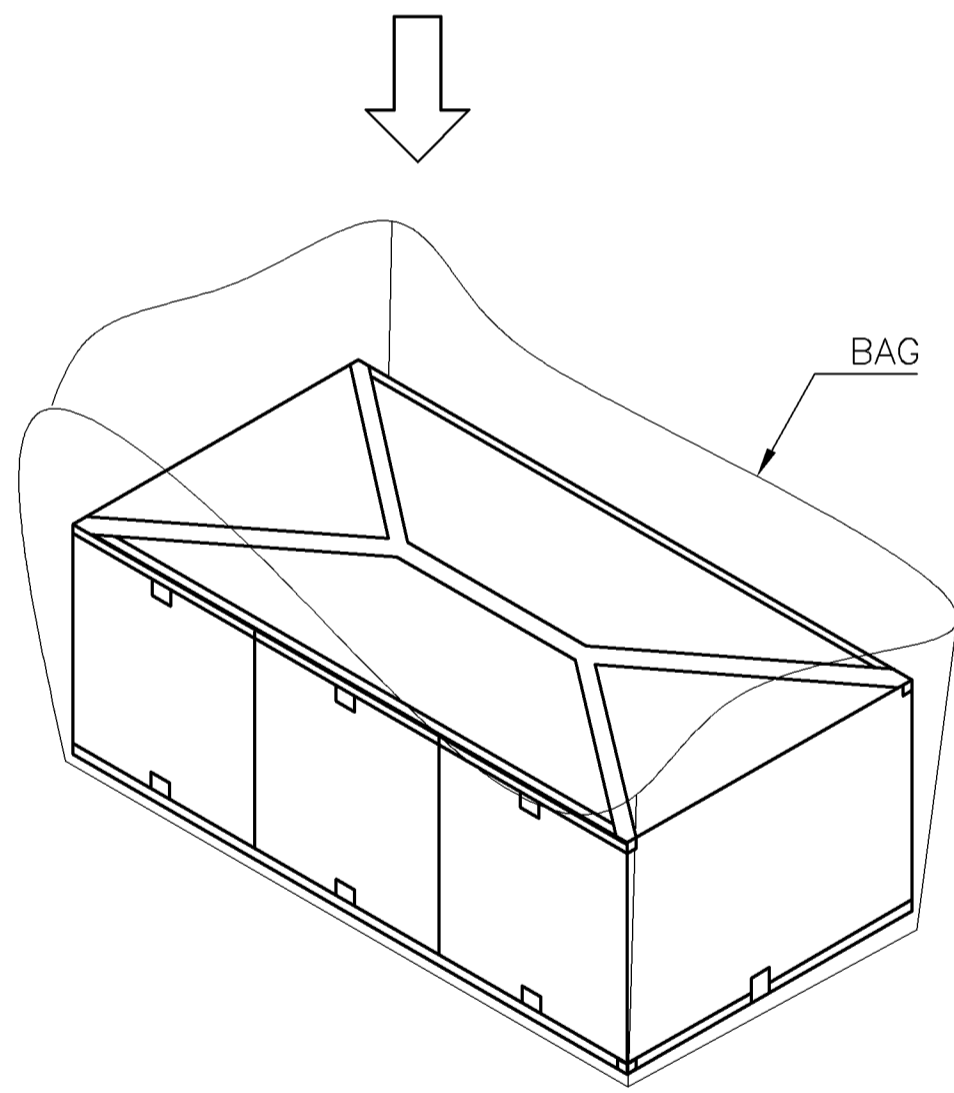
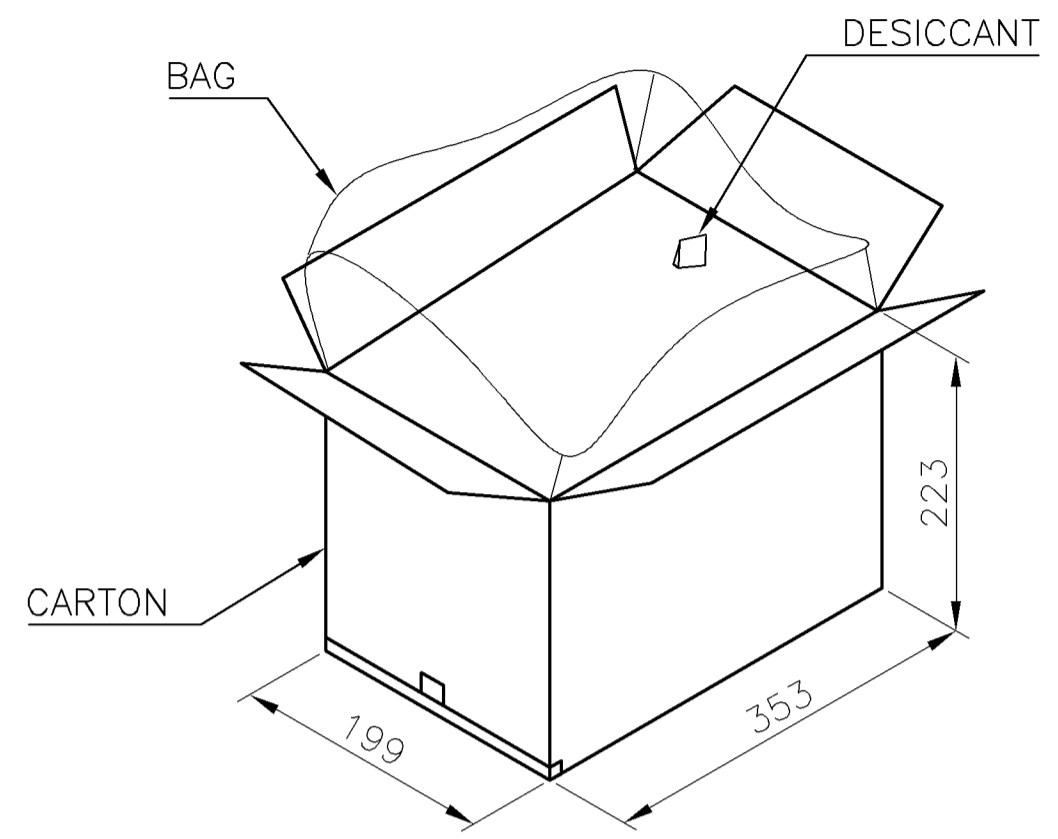
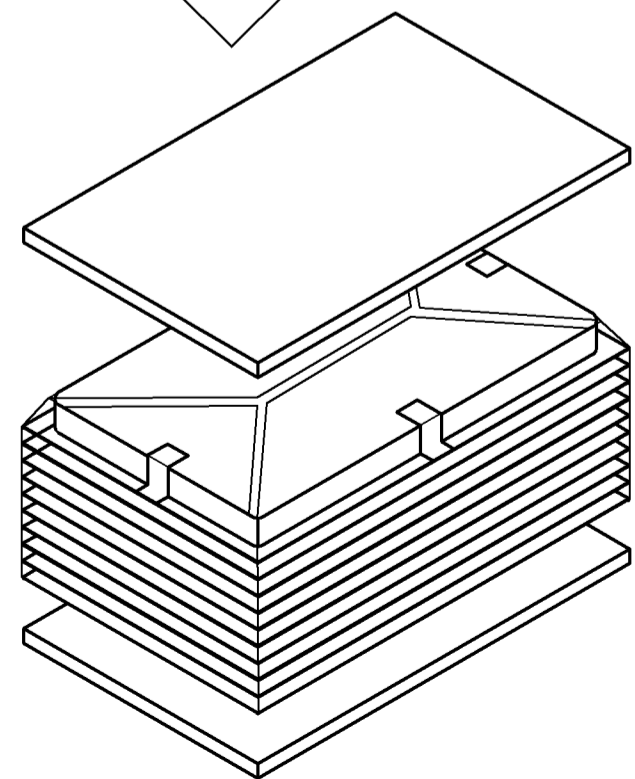
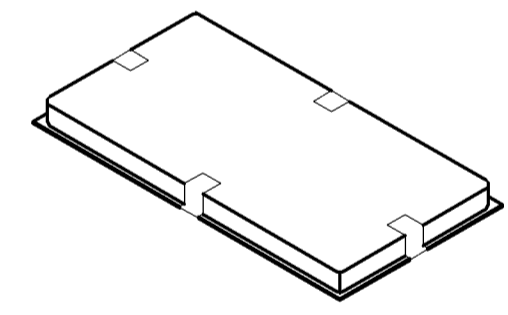
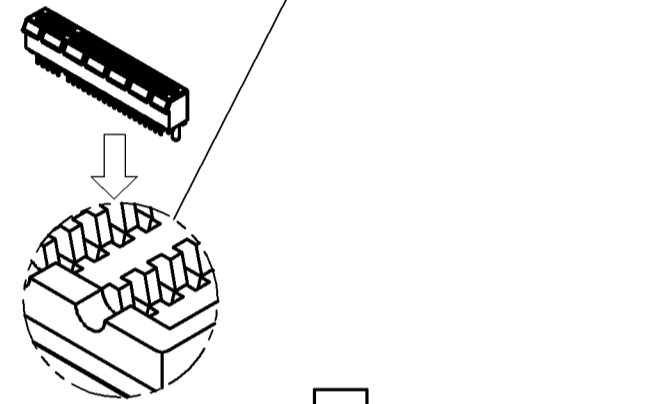
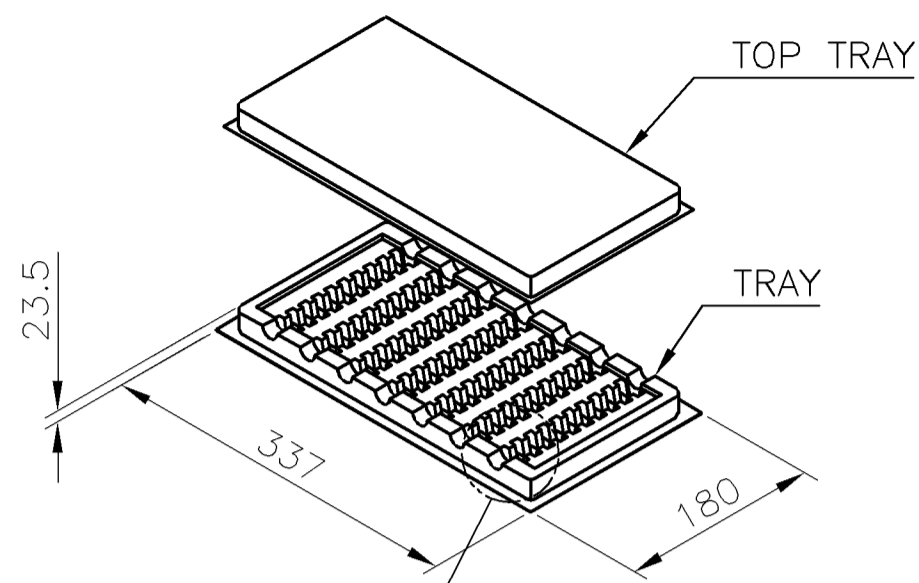
DWN	-
CHK	-
APVD	-
PRODUCT SPEC	-
APPLICATION SPEC	-
WEIGHT	-
CUSTOMER DRAWING	-



NAME			
PCI EXPRESS CARD EDGE CONNECTOR VERTICAL, DIP TYPE, 3GIO			
SIZE	CAGE CODE	DRAWING NO	RESTRICTED TO
A3	00779	C=1759921	-
SCALE	SHEET	REV	
-	2 OF 3	A1	

LOC DW DIST

P		LTR	DESCRIPTION	DATE	DWN	APVD
			SEE SHEET 1.			



- NOTES :
- MATERIAL :  
 TRAY : PVC, COLOR: TRANSPARENT.  
 CARTON: CORRUGATED FIBER  
 BOX: CORRUGATED FIBER
  - DIMENSION :  
 TRAY: SEE DRAWING  
 CARTON: SEE DRAWING  
 BOX : SEE DRAWING
  - QUANTITY : SEE TABLE
  - WEIGHT : SEE TABLE

10.2 Kg	8.2 Kg	30	10	3	900	164
GROSS WEIGHT	NET WEIGHT	PCS/ TRAY	TRAY/ CARTON	CARTON/ BOX	PCS/ BOX	POS.

THIS DRAWING IS A CONTROLLED DOCUMENT.

DIMENSIONS: MM	TOLERANCES UNLESS OTHERWISE SPECIFIED: 0 PLC ± - 1 PLC ± - 2 PLC ± - 3 PLC ± - 4 PLC ± - ANGLES ± -	DWN - CHK - APVD - PRODUCT SPEC - APPLICATION SPEC - WEIGHT -	TE Connectivity NAME <b>PCI EXPRESS CARD EDGE CONNECTOR VERTICAL, DIP TYPE, 3GIO</b>			
MATERIAL	FINISH	SIZE	CAGE CODE	DRAWING NO	RESTRICTED TO	
		A3	00779	C-1759921		
CUSTOMER DRAWING			SCALE -	SHEET 3 OF 3	REV A1	