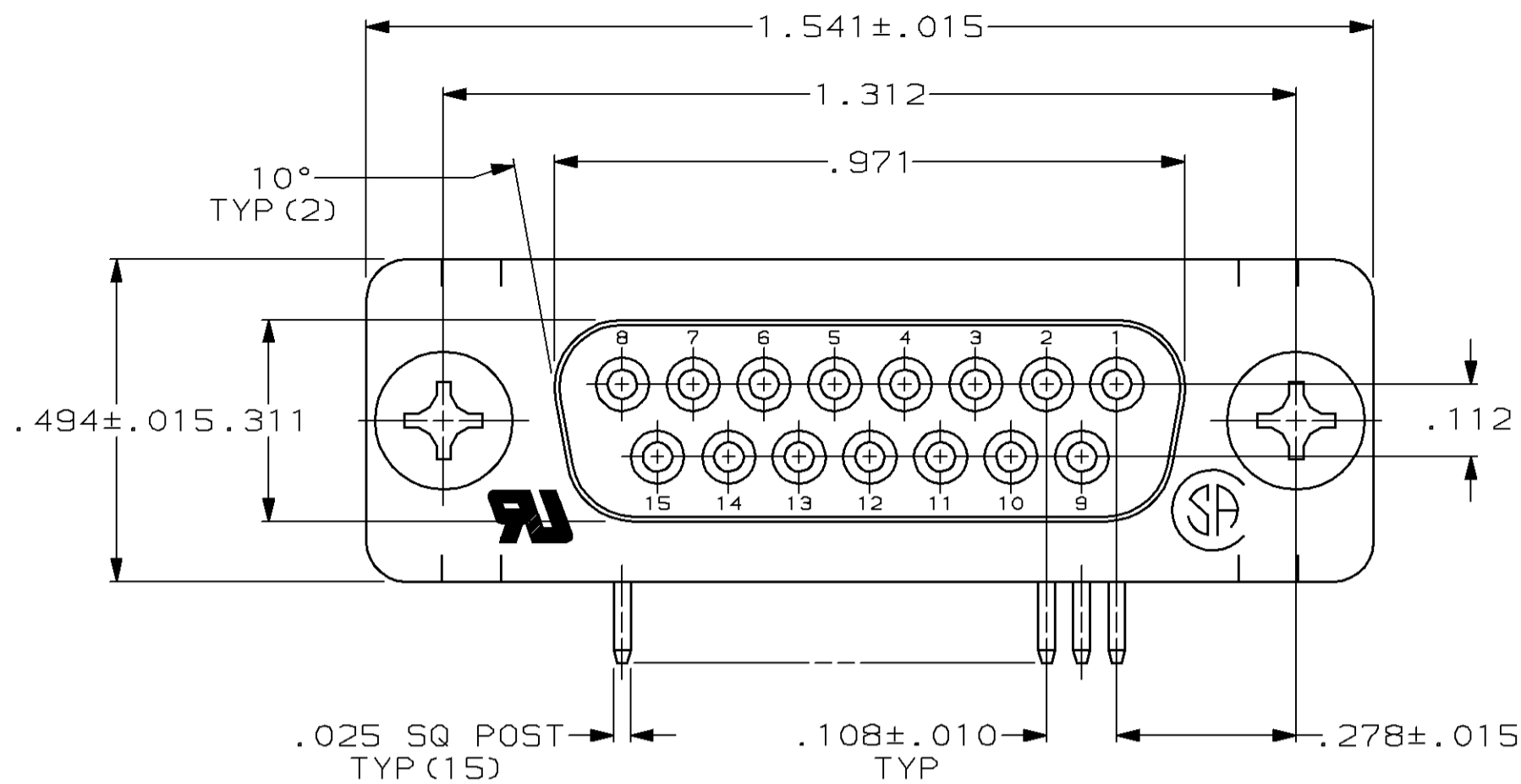
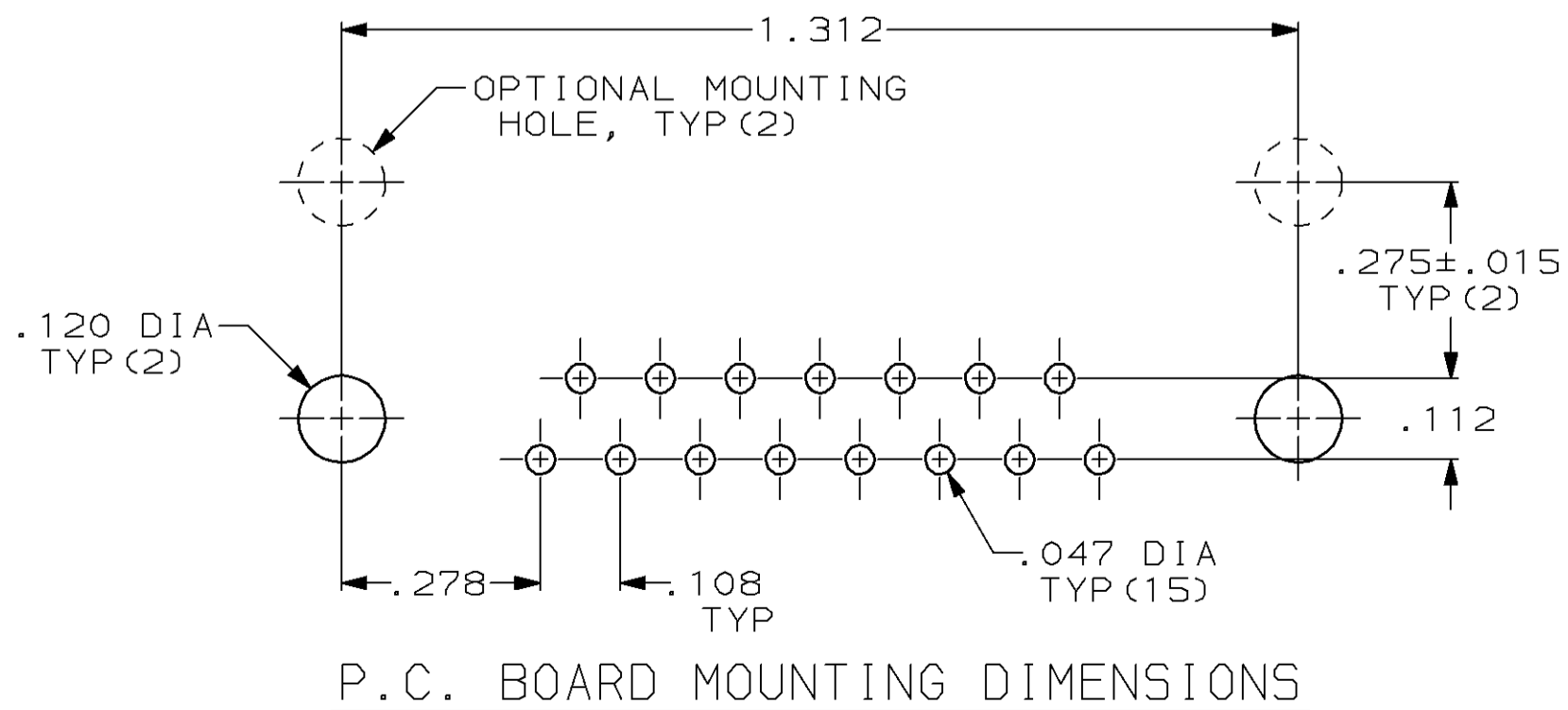
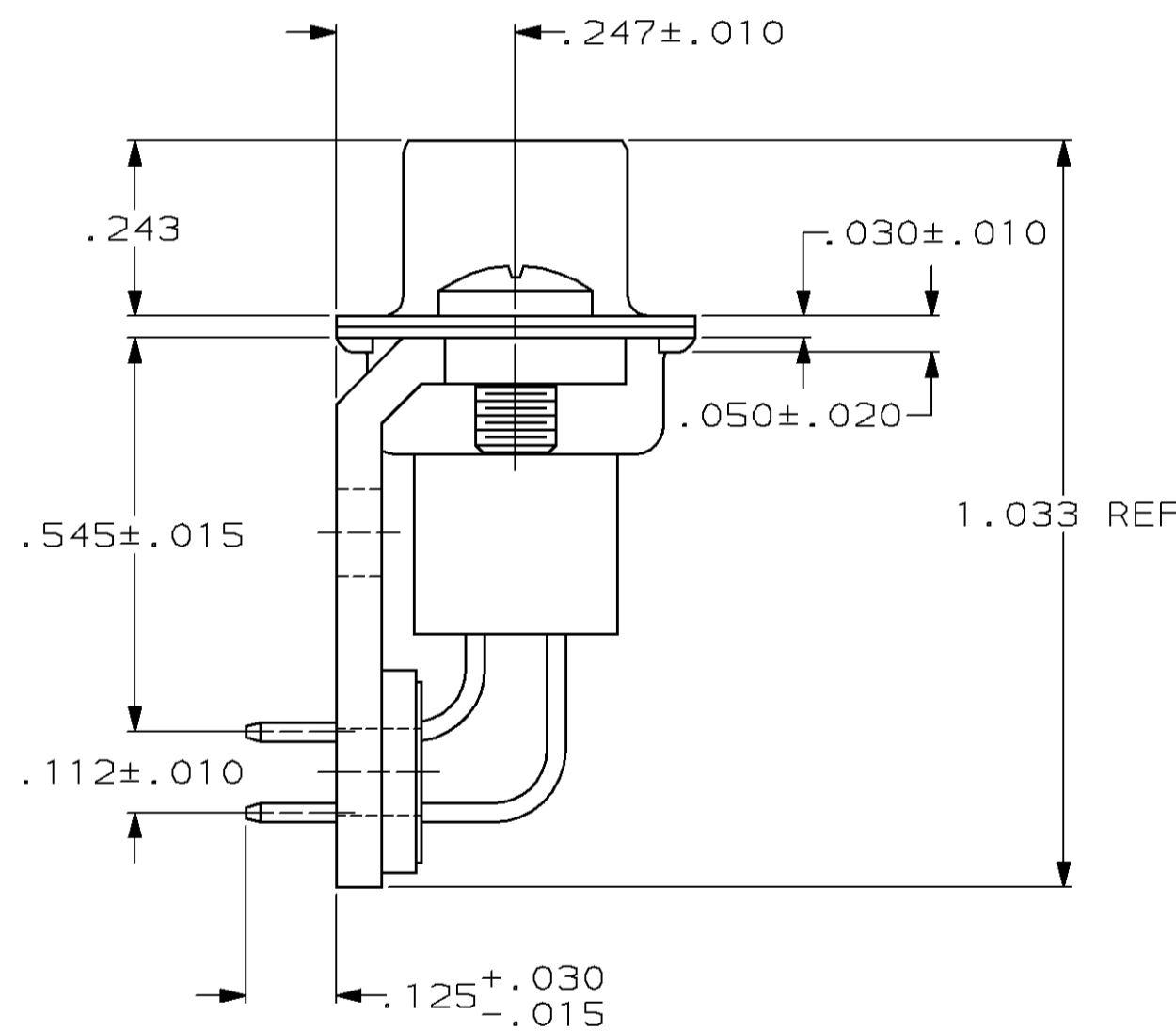
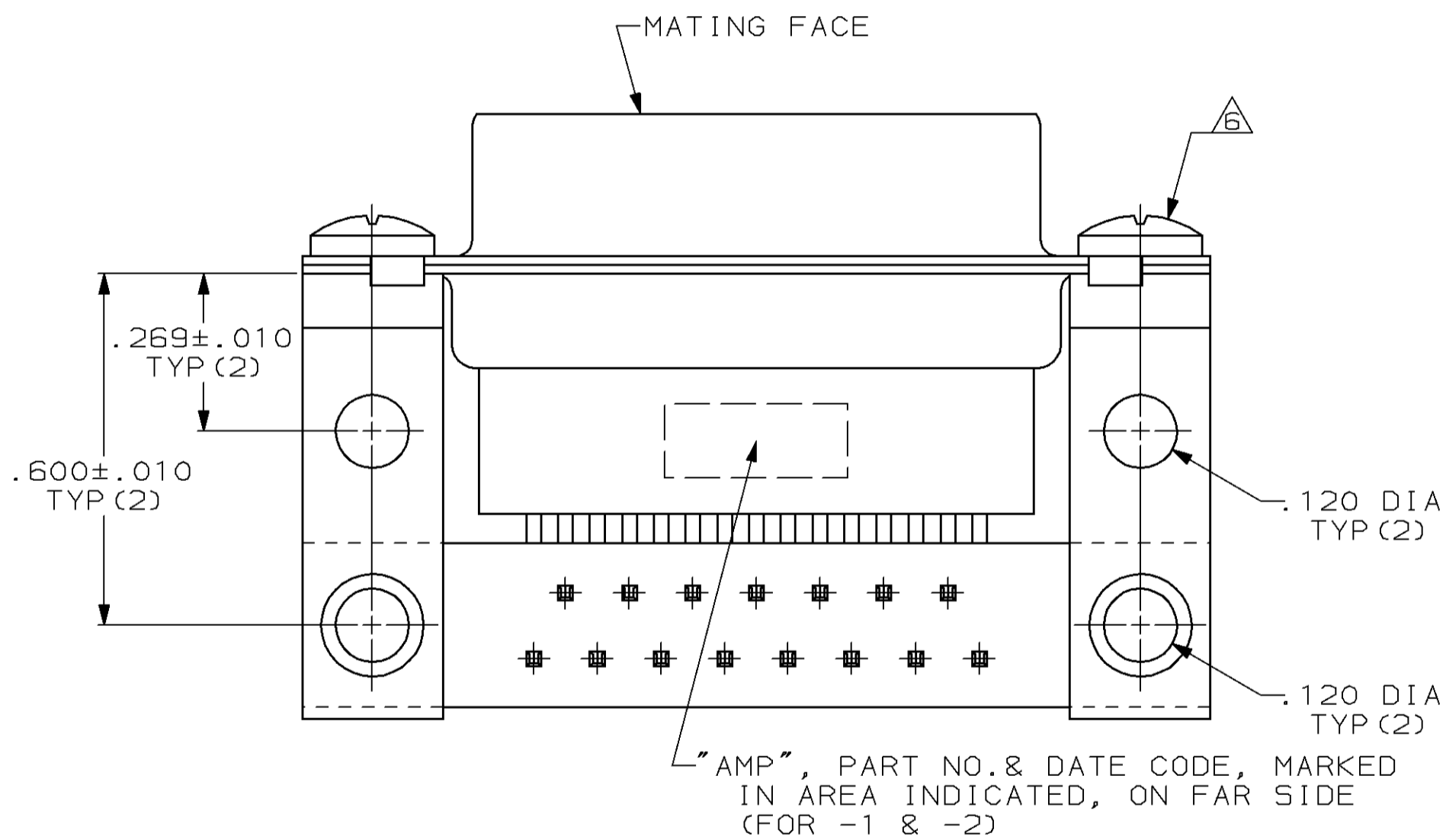


THIS DRAWING IS UNPUBLISHED. RELEASED FOR PUBLICATION  
 BY AMP INCORPORATED. ALL RIGHTS RESERVED.

LOC		DIST		REVISIONS			
P	LTR	DESCRIPTION	DATE	DWN	APVD		
BD	77	E	9-5-89	-	-		
		F	27 FEB 97	DH	RT		



- 1 MOLDED PARTS: THERMOPLASTIC, BLACK, 94V-0 RATED. SHELLS & BRACKETS: STEEL PER ASTM A109. CONTACTS: PHOSPHOR BRONZE PER QQ-B-750.
- 2 SHELLS AND BRACKETS: TIN PLATED. CONTACTS: SEE TABLE.
- 3 GOLD FLASH FOR A LENGTH OF .100 MIN FROM MATING END, .000100 MIN TIN-LEAD ON OPPOSITE END, BOTH OVER .000050 MIN NICKEL.
- 4 .000030 MIN GOLD FOR A LENGTH OF .100 MIN FROM MATING END, .000100 MIN TIN-LEAD ON OPPOSITE END, BOTH OVER .000050 MIN NICKEL.
- 5 TIN PLATING PER MIL-T-10727, GOLD PLATING PER MIL-G-45204, NICKEL PLATING PER QQ-N-290.
- 6 SCREWS ARE FOR -1 & -2.
- 7. CONNECTOR MATES WITH ANY 15 POSITION PLUG IN AMPLIMITE SERIES AND COMPLIES WITH AMP 108-40,005 WHERE APPLICABLE.



CONTACT FINISH	PART NUMBER
4	745113-3
4	745113-2
3	745113-1

THIS DRAWING IS A CONTROLLED DOCUMENT.		DWN J. GERACE 12-23-83	<b>AMP</b> AMP Incorporated Harrisburg, PA 17105-3608
DIMENSIONS: INCHES		CHK J. GERACE 12-23-83	
TOLERANCES UNLESS OTHERWISE SPECIFIED:		APVD J. ASSINI 3-15-84	NAME RECEPTACLE ASSY, SIZE 2, 15 POSN, R/A, .545 SERIES, AMPLIMITE™ HDP
0 PLC ±		PRODUCT SPEC -	
1 PLC ±		APPLICATION SPEC -	SIZE A2
2 PLC ±		WEIGHT -	CAGE CODE 00779
3 PLC ±.005		CUSTOMER DRAWING	DRAWING NO. C=745113
4 PLC ±		SCALE 4:1	SHEET 1 OF 1
ANGLES ±2°			REV F
FINISH			

745113