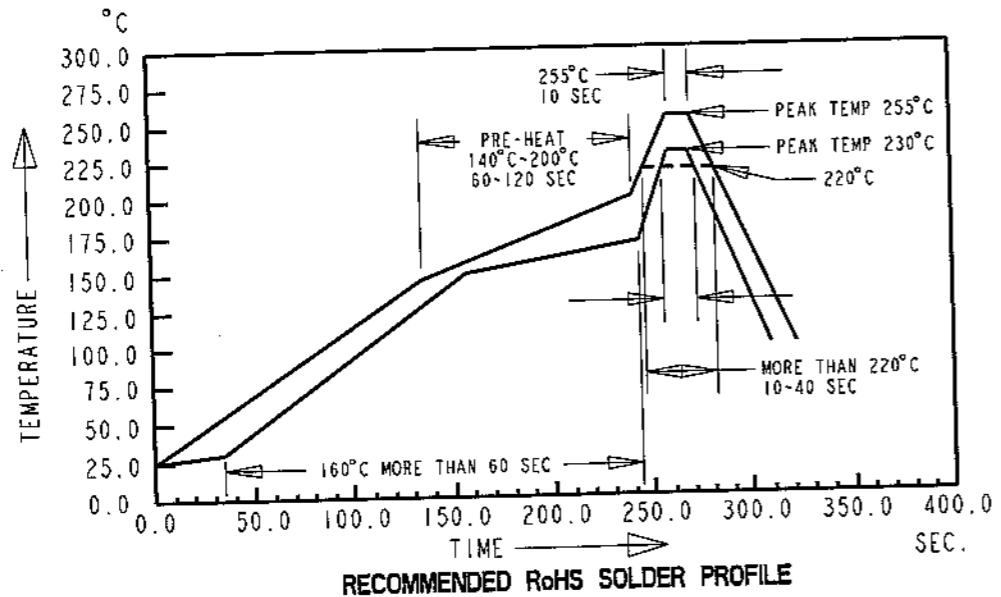
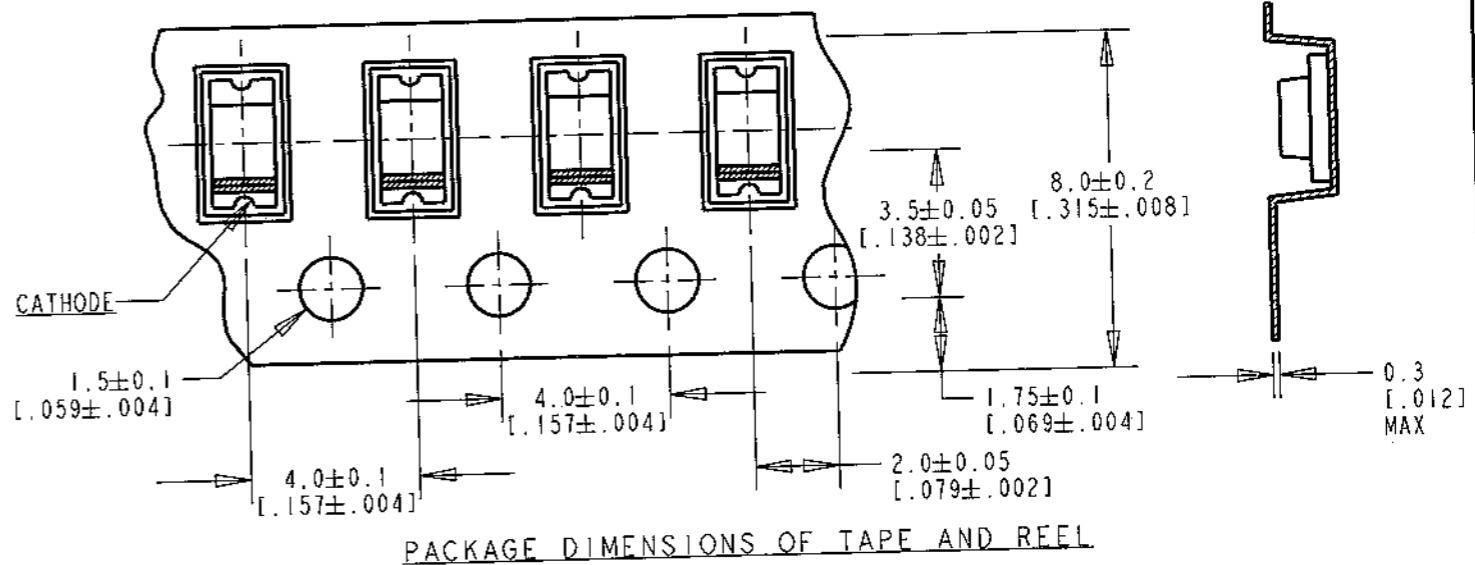
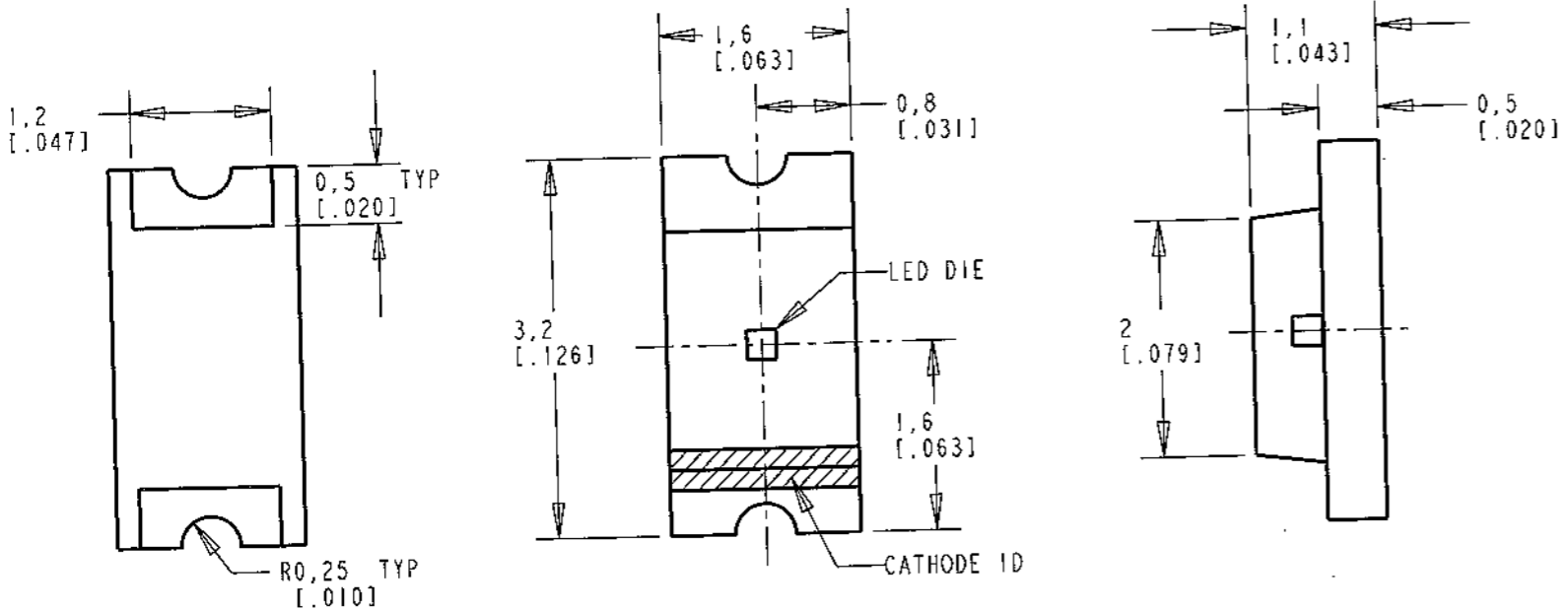


REV	ECN NO	REVISIONS	DRN	CKD	APP	DATE
A		NEW RELEASE	TC	DC	N.O.	4-1-99
B		ADDED NOTE 9.	TC	DC	N.O.	6-9-99
C		ADDED RoHS COMPLIANT "F" SUFFIX P/Ns, RoHS AND NORMAL REFLOW PROFILE & RoHS NOTE; UPDATED FORMAT; REVISED LEAD FINISH AND PACKAGING NOTES	TWC	MES	N.O.	8-5-05
D		ADDED "1,2", "0,5 TYP", & "R0,25" DIMS ON LED; REMOVED NON-"F" P/N'S IN NOTE 8; REMOVED NON-RoHS REFLOW PROFILE; UPDATED SOLDERING SPECS.	KLJ	M.P.		10-16-08



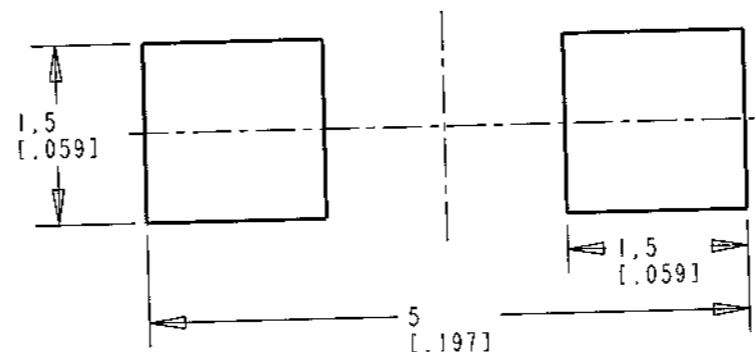
NOTES:

- EPOXY COLOR: WATER CLEAR
- DIE: GaP
- LEADS: GOLD (Au) PLATED ON COPPER ALLOY (Cu) ON FR-4 SUBSTRATE
- SOLDER ADHERANCE: BOTH LEADS PER MIL-STD-202E, METHOD 208C
- PART TAPED AND REELED PER EIA-RS-481-1.
- PART SUPPLIED 3000 DEVICES PER 7" DIAMETER REEL, ONE REEL PER SEALED ALUMINUM BAG WITH DESICCANT.
- LABELING FOR REEL AND OUTSIDE OF ALUMINUM FOIL BAG: DIALIGHT P/N, QUANTITY PER REEL, DATE CODE, INTENSITY BIN CODE, LOT NUMBER, AND COUNTRY OF ORIGIN.
- DIALIGHT P/N: 597-3302-602F, -607F
- TAPE AND REEL LEDS MAY REQUIRE RE-TAPING AFTER TWELVE MONTHS.
- PART NUMBERS WITH "F" SUFFIX ENDING ARE RoHS COMPLIANT. REEL AND BAG ARE MARKED WITH "RoHS COMPLIANT" LABEL OR EQUIVALENT MARKINGS.



OPERATING CHARACTERISTICS AT 25°C AMBIENT					
LED CHARACTERISTICS	MIN	TYP	MAX	UNITS	TEST CONDITIONS
LUMINOUS INTENSITY	4.0	8.0	30.0	mcd	I <sub>f</sub> = 10 mA
FORWARD VOLTAGE		2.1	2.6	V	I <sub>f</sub> = 20 mA
DOMINANT WAVELENGTH		569		nm	
PEAK WAVELENGTH		565		nm	θ PEAK
REVERSE CURRENT			100	μA	V <sub>r</sub> = 5 V
VIEWING ANGLE (2 θ 1/2)		130		DEG	
SPECTRAL LINE HALF-WIDTH		30		nm	
CAPACITANCE		35		pF	V <sub>r</sub> = 0 V; f = 1 MHz

ABSOLUTE MAXIMUM RATINGS AT 25°C AMBIENT		
	VALUE	UNITS
POWER DISSIPATION	100	mW
CONTINUOUS FORWARD CURRENT	30	mA
PEAK FORWARD CURRENT (1/10 DUTY CYCLE, 0.1ms PULSE WIDTH)	120	mA
DERATE LINEARLY FROM 50°C	0.6	mA/°C
REVERSE VOLTAGE	5	V
OPERATING TEMPERATURE	-55 TO +85	°C
STORAGE TEMPERATURE	-55 TO +85	°C
SOLDERING TEMPERATURE (FOR 5 SEC)	260	°C



THIS DRAWING AND THE CONTENTS HEREIN ARE CONFIDENTIAL AND THE SOLE PROPERTY OF DIALIGHT. REPRODUCTION OF THIS DRAWING OR CONSTRUCTION OF ANY PARTS WITHIN THIS DRAWING ARE FORBIDDEN WITHOUT THE WRITTEN CONSENT OF DIALIGHT.

SCALE: DRAWING SCALE	DRAWING NUMBER	REV
ALL DIM'S IN: INCHES (MM)	C-16509	D
TOLERANCES: UNLESS OTHERWISE SPECIFIED	TITLE GREEN SMT LED RoHS COMPLIANT	
FRACTIONS: ±1/64	MATERIAL	
DECIMALS (.XX): ±.01		
DECIMALS (.XXX): ±.005		
DECIMALS (.XXXX): ±.0005		
ANGLES: ±1°	FINISH:	
FSCM 83330	SHEET 1 OF 1 FAMILY TABLE:	

1501 ROUTE 34 SOUTH FARMINGDALE, NJ 07727