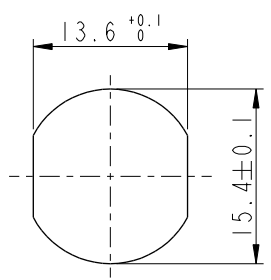


THIS DOCUMENT IS SUBJECT TO CHANGE WITHOUT NOTICE. IT IS CONFIDENTIAL AND A PROPERTY OF Amphenol LTW. DISCLOSURE TO THIRD PARTY HAS TO BE AUTHORIZED BY Amphenol LTW.

REV.	ECN NO.	DATE	SIGN	DESCRIPTION
E	C201447	2020/09/18	Ruru	△E X6
F	C210309	2021/02/23	Ruru	△E X3
G	C211340	2021/08/23	Allen Pan	△G X2



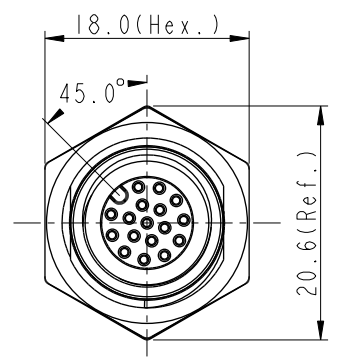
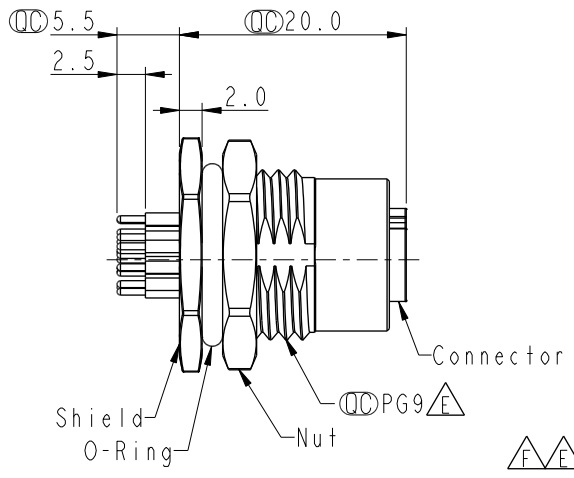
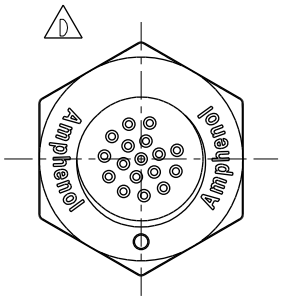
Recommended Panel Cut-Out

△B △E

△C △D △E

M12A-XXPFFP-SF8001

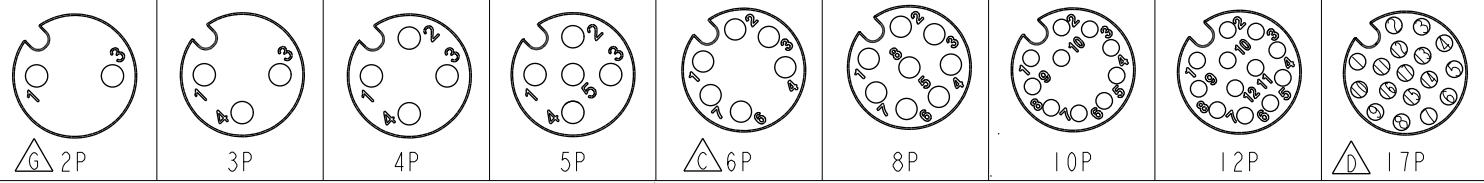
XX: No. Of Pin



△F △E

Note:

- \* RoHS Compliant
- \* Ⓞ Important dimension
- △\* Waterproof rate: IPX8, unmated 1m/24h  
IPX9K, unmated
- \* Connector  
Housing: Thermoplastic, Black  
Pin: Copper alloy, Gold plated  
O-Ring: Rubber, Green
- \* Shield: Metal
- \* Nut: Metal
- \* O-Ring: Rubber, Black
- \* For panel thickness max: 4.5mm
- \* Nut is packed separately in pe bag



Pin Assignment Front View

UNIT: mm		
TOLERANCE	.X ±0.25	
.XX ±0.1		
.XXX ±0.05		
ANGLES	±1°	

TITLE N SEN, M12 A, SCREW RECEPTACLE, F, F, PCB S △E		
SCALE 2:1	SIZE A4	SHEET 1 OF 2
REV. G	WC-REV. A.5	Ⓞ: Inspection item

**Amphenol LTW**  
安費諾亮泰企業股份有限公司

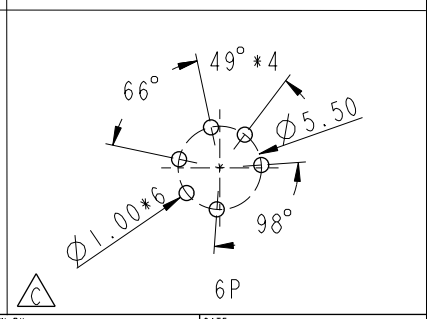
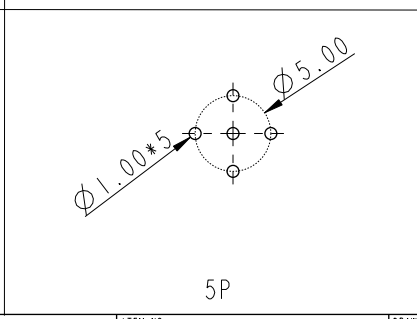
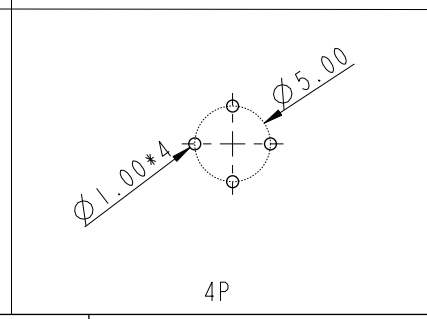
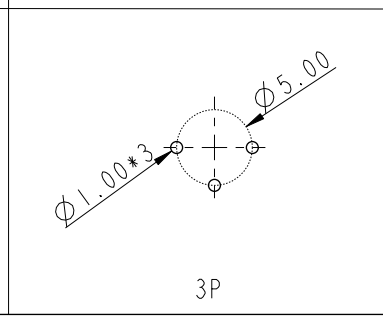
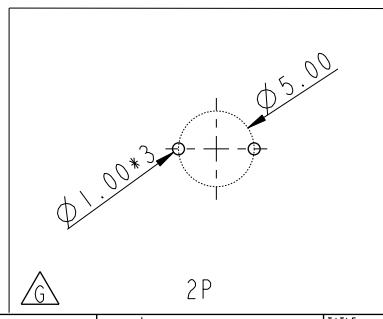
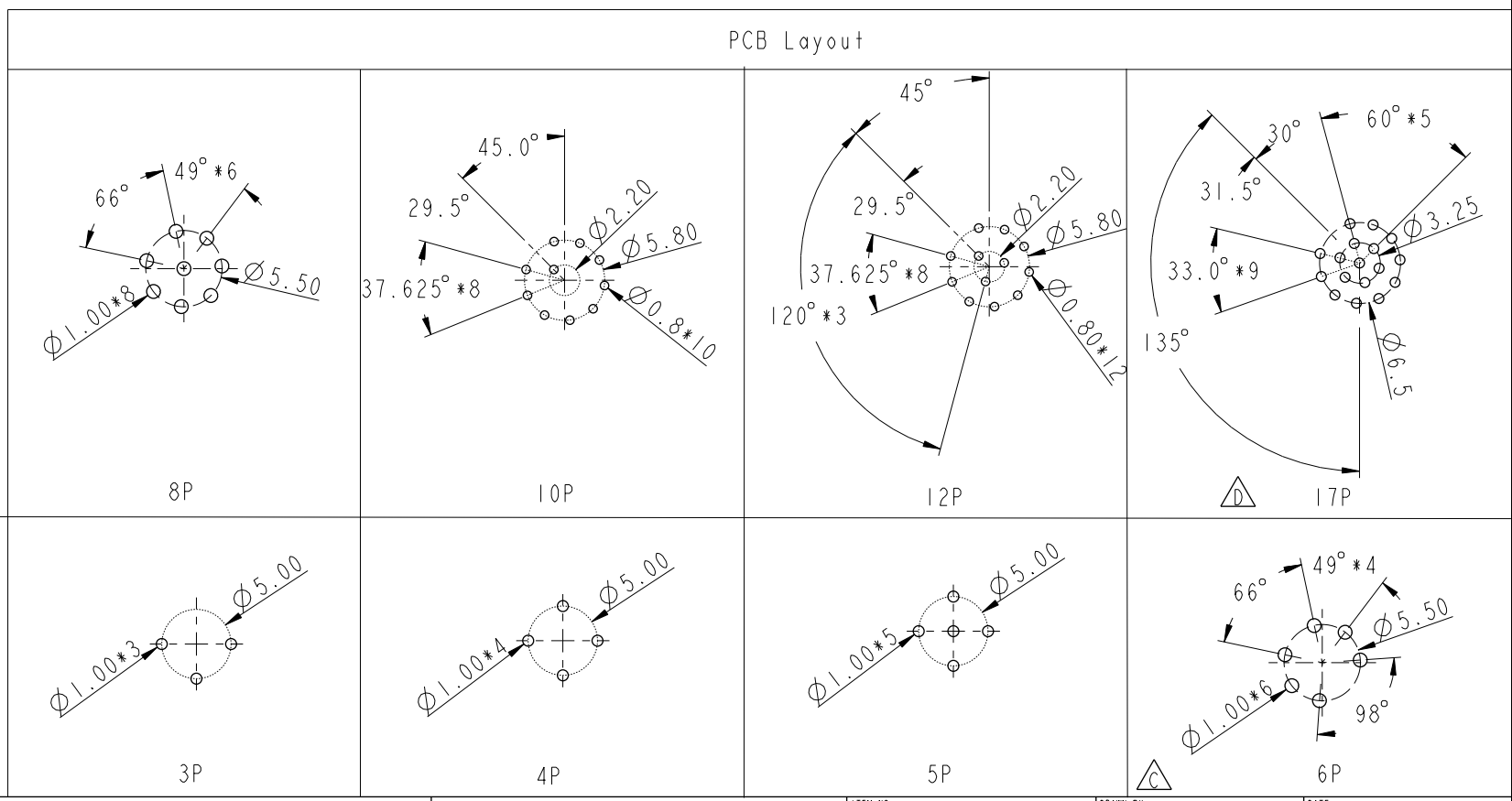
ITEM NO	M12A-XXPFFP-SF8001
DWG NO	△E M12A-XXPFFP-SF8001
CUSTOMER	ALTW

DRAWN BY	Yulong_wang
CHECKED BY	Jinhai
APPROVED BY	Jerry

DATE	2016-08-08
DATE	2016-08-08
DATE	2016-08-08

THIS DOCUMENT IS SUBJECT TO CHANGE WITHOUT NOTICE. IT IS CONFIDENTIAL AND A PROPERTY OF Amphenol LTW. DISCLOSURE TO THIRD PARTY HAS TO BE AUTHORIZED BY Amphenol LTW.

PCB Layout



UNIT: mm	
TOLERANCE	
.X	±0.25
.XX	±0.1
.XXX	±0.05
ANGLES	±1°

TITLE N SEN, M12 A, SCREW RECEPTACLE, F, F, PCB S			
SCALE 2:1	SIZE A4	SHEET 2 OF 2	
REV. G	WC-REV. A.4	☉: Inspection item	

**Amphenol LTW**  
安費諾亮泰企業股份有限公司

ITEM NO	
DWG NO	M12A-XXPFFP-SF8001
CUSTOMER	ALTW

DRAWN BY	Yulong_wang
CHECKED BY	Jinhai
APPROVED BY	Jerry

DATE	2016-08-08
DATE	2016-08-08
DATE	2016-08-08