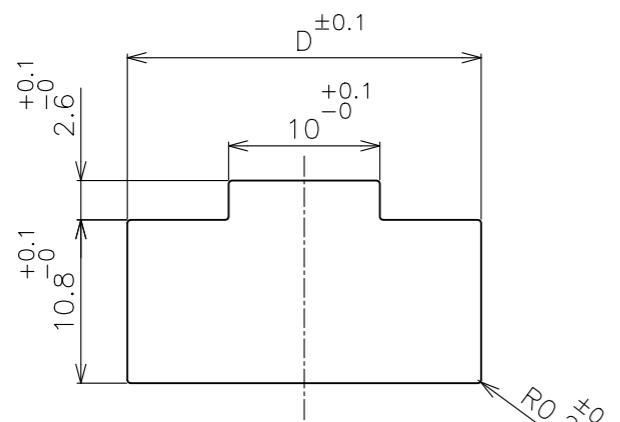
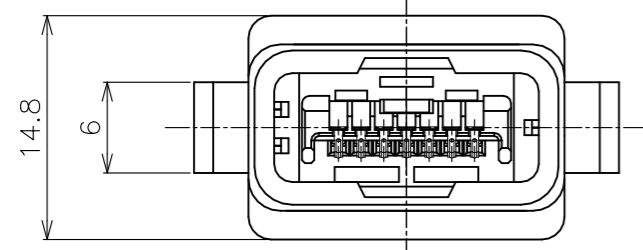
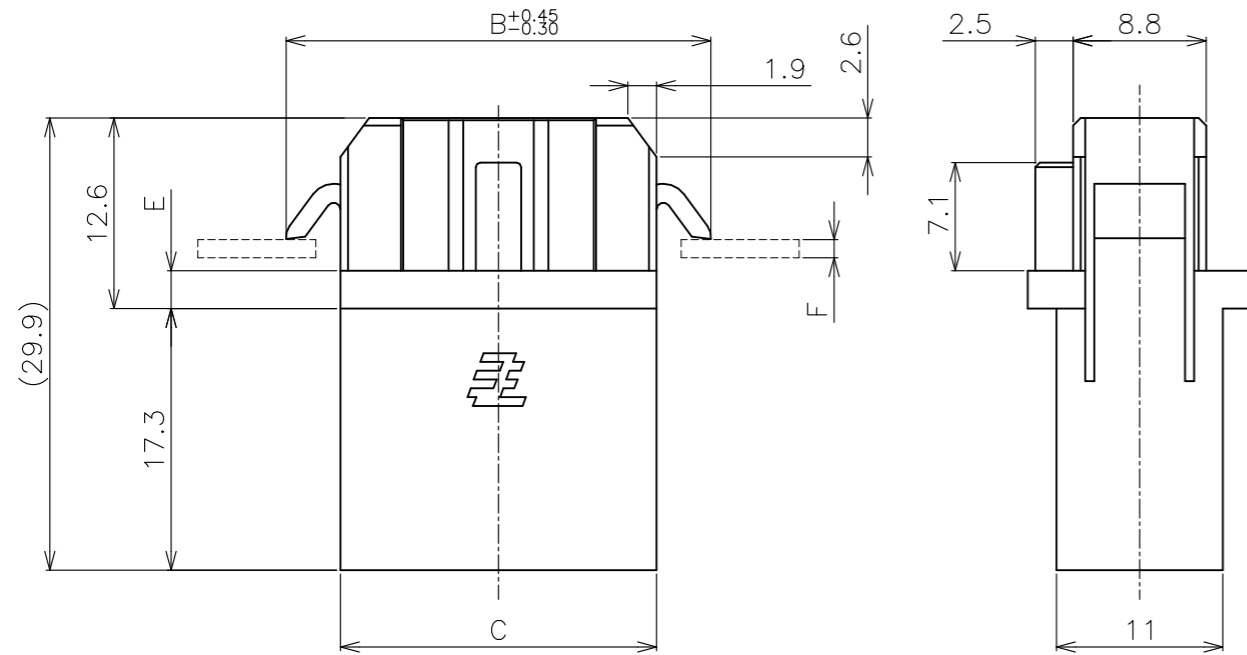
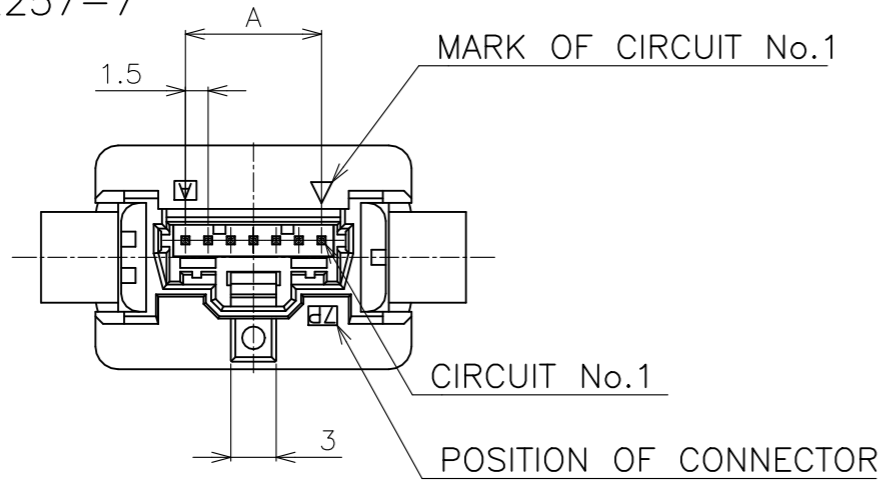


AS SHOWN : 1612257-7



PANEL CUTOUT DIMENSION

REVISIONS					
P	LTR	DESCRIPTION	DATE	DWN	APVD
E1		REVISED ECR-20-002472	10MAR2020	J.J	W.H

NOTES:

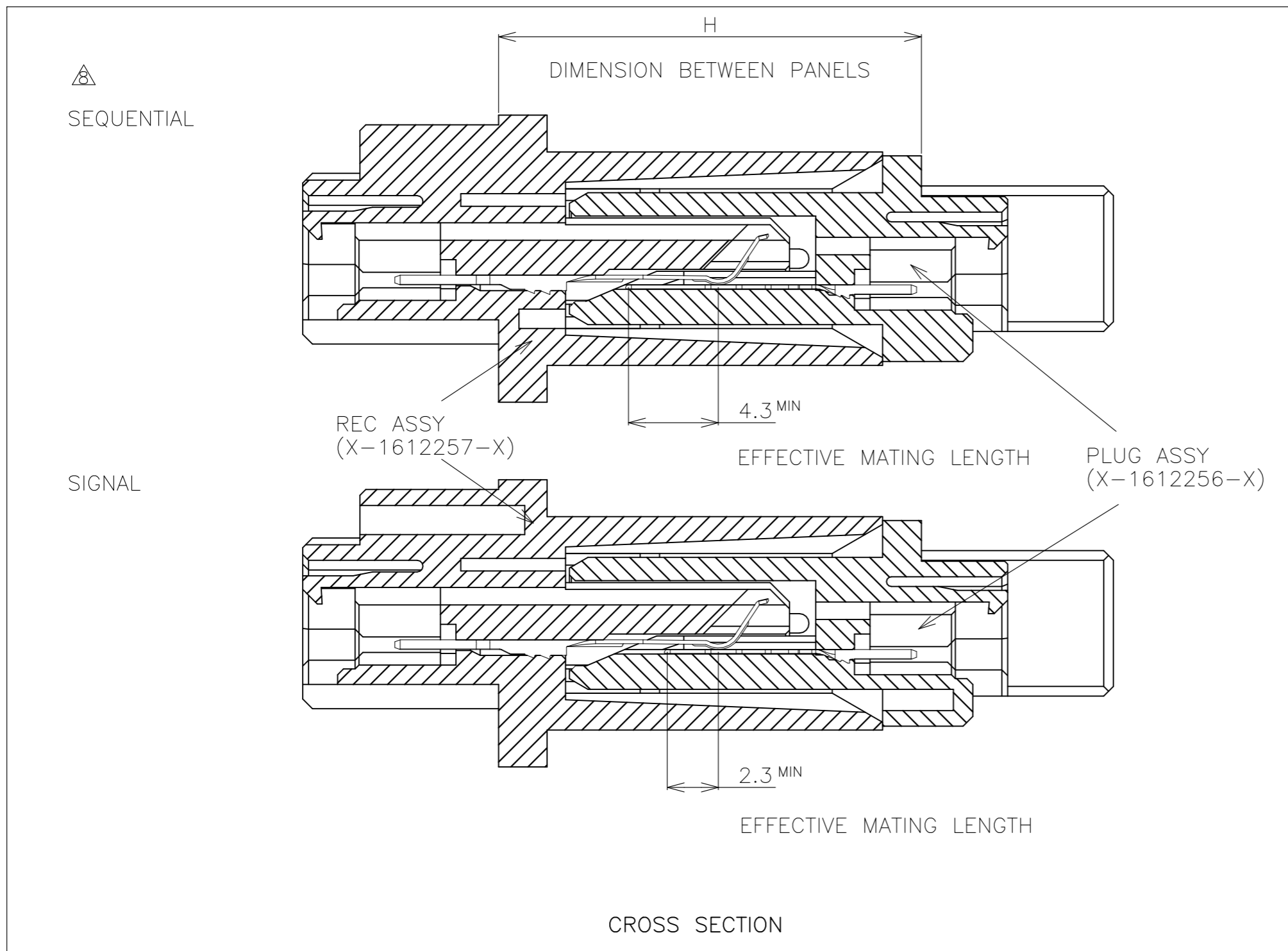
- USE WITH MINI CT MT TYPE P/N : X-353293-X (ASSY)  
CRIMP TYPE P/N : 353907-1 (CONTACT)  
353907-1(L/P) (CONTACT)  
X-353908-X (HOUSING)
- MATERIAL HOUSING : PBT G.F. UL94 V-0, COLOR: BLACK  
CONTACT : COPPER ALLOY
- FINISH CONTACT : NICKEL UNDER PLATED ALL OVER  
CONTACT AREA : GOLD PLATED  
POST AREA : Sn 100% PLATED
- THE PANEL SHOULD BE PUNCHED SO THAT THE HOUSING ENTERS THE PANEL IN THE SAME DIRECTION AS PUNCH.
- FLOATING DIMENSION : 0.5 MAX  
(INCLUDE THE AMOUNT OF AXIAL GAPS)
- DIMENSION BETWEEN PANELS MUST BE SET 21.8-22.8mm.  
(INCLUDE THE CLEARANCE BETWEEN CONNECTOR AND PANEL)
- GENERAL TOLERANCE  
10 > : ±0.2  
30 > : >10: ±0.25  
100 > : >30: ±0.3  
ANGLES: ±3°
- SEQUENTIAL CIRCUIT NO. IS REFERRED CUSTOMER DRAWING : 1612256.

1-1612256-4		1.0 ±0.1		33.9	31.4	38.6	19.5	14	2-1612257-4	
1-1612256-4				33.9	31.4	38.6	19.5	14	1-1612257-4	
1-1612256-2	21.8 ⚠		2.5	30.9	28.4	35.6	16.5	12	1-1612257-2	
1-1612256-0		2.0 ±0.1		27.9	25.4	32.6	13.5	10	1-1612257-0	
1612256-7				23.4	20.9	28.1	9.0	7	1612257-7	
COUNTER MATING CONNECTOR P/N	G	F	E	D	C	B	A	POS.	P/N	
	DIMENSION BETWEEN PANELS		APPLIED PANEL THICKNESS	DIMENSIONS						

THIS DRAWING IS A CONTROLLED DOCUMENT.		DWN H.HOSHINO 05AUG02	<b>TE Connectivity Ltd.</b>			
		CHK T.KUSUHARA 05AUG02				
		APVD I.ENOMOTO 05AUG02	NAME			
DIMENSIONS: MM 		TOLERANCES UNLESS OTHERWISE SPECIFIED: 0 PLC ± 1 PLC ± ⚠ 2 PLC ± 3 PLC ± 4 PLC ± ANGLES ± FINISH ⚠		PRODUCT SPEC 108-5836 APPLICATION SPEC		
MATERIAL		WEIGHT	SIZE	CAGE CODE	DRAWING NO	RESTRICTED TO
			A3	00779	C-1612257	—
CUSTOMER DRAWING			SCALE	SHEET	REV	
			2:1	1 OF 2	E1	

AS SHOWN : 1612257-7

P	LTR	DESCRIPTION	DATE	DWN	APVD
-	-	SEE SHEET 1	-	-	-



THIS DRAWING IS A CONTROLLED DOCUMENT.		DWN	<b>STE</b> TE Connectivity Ltd.		
DIMENSIONS: MM		CHK			
TOLERANCES UNLESS OTHERWISE SPECIFIED:		APVD	NAME		
0 PLC ±		PRODUCT SPEC	RECEPTACLE ASSEMBLY		
1 PLC ±		APPLICATION SPEC	MINI CT DC DRAWER SNAP-FIT		
2 PLC ±		WEIGHT	SIZE	CAGE CODE	DRAWING NO
3 PLC ±		CUSTOMER DRAWING	A3	00779	C-1612257
4 PLC ±			SCALE	SHEET	REV
ANGLES ±		4:1	2 OF 2	E1	
FINISH		RESTRICTED TO			