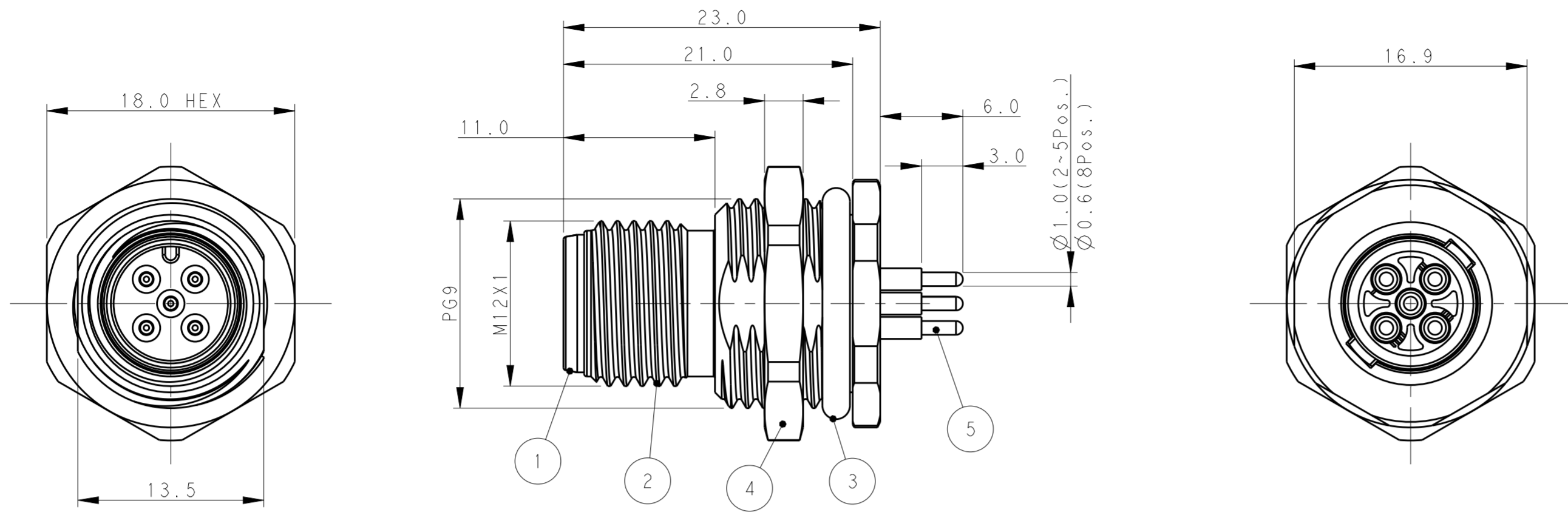


THIS DRAWING IS UNPUBLISHED. RELEASED FOR PUBLICATION 20  
 © COPYRIGHT 20 BY - ALL RIGHTS RESERVED.

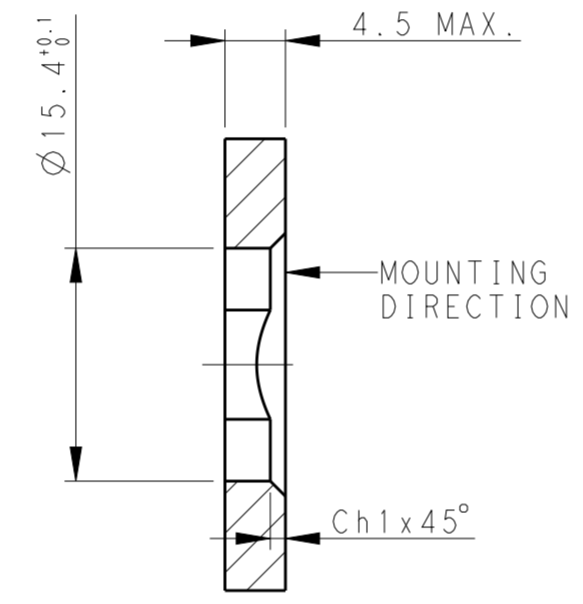
REVISIONS					
P	LTR	DESCRIPTION	DATE	DWN	APVD
A		INITIAL RELEASE	23JUL2018	G.W	C.W
B		ECR-19-018748	28DEC2019	G.W	C.W



M12, MALE, A-CODED, 5POLES

TABLE 1

TECHNICAL DATA	T4140012021-001	T4140012031-001	T4140012041-001	T4140012051-001	T4140012081-001
RATED VOLTAGE	250V	250V	250V	60V	30V
RATED CURRENT	4A	4A	4A	4A	2A
POLLITION DEGREE	3	3	3	3	3
OVERVOLTAGE CATEGORY	II	II	II	II	II
MATERIAL GROUP	II	II	II	II	II
CONTACT RESISTANCE	<=10mΩ	<=10mΩ	<=10mΩ	<=10mΩ	<=10mΩ
INSULATION RESISTANCE	>100MΩ	>100MΩ	>100MΩ	>100MΩ	>100MΩ
DEGREE OF PROTECTION	IP67	IP67	IP67	IP67	IP67
OPERATION TEMPEATURE	-40~85°C	-40~85°C	-40~85°C	-40~85°C	-40~85°C

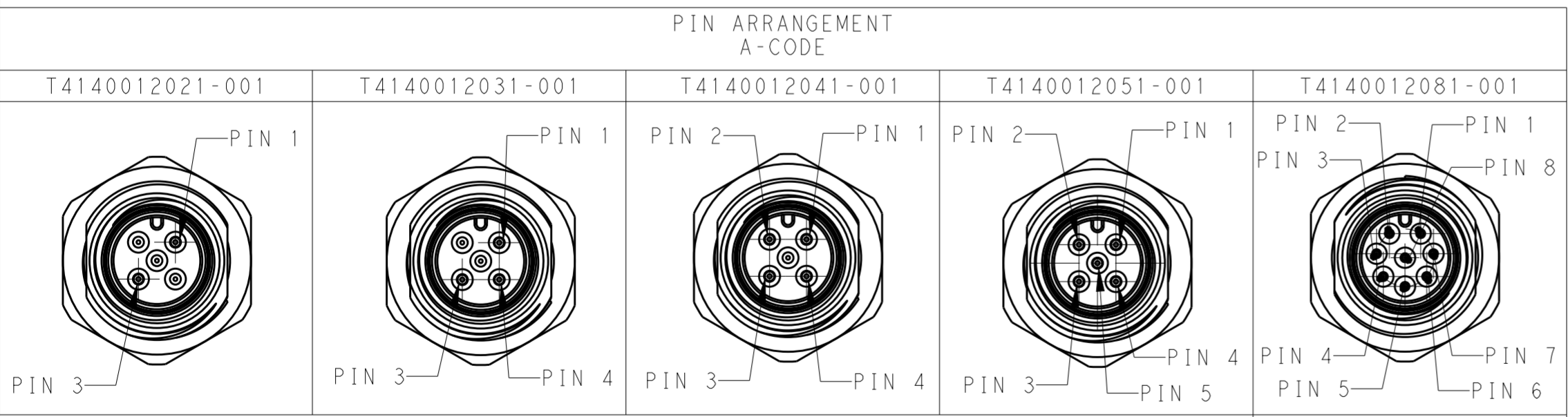


RECOMMENDED PANEL CUTOUT

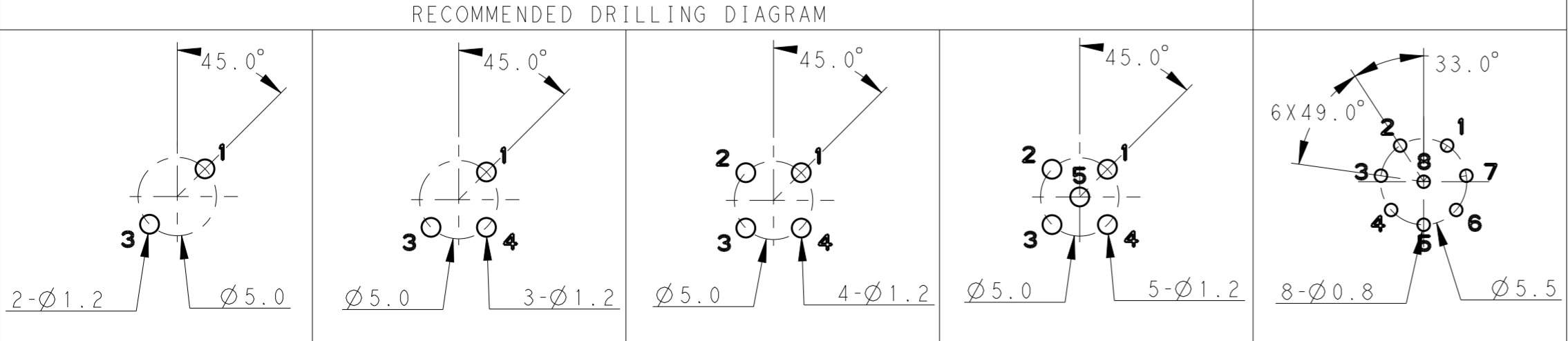
- NOTE:
1. TECHNICAL DATA: SEE TABLE 1
  2. RECOMMENDED MOUNT PANEL SEE DETAIL
  3. PACKAGING: 1PCS/BAG
  4. ALL DIMENSIONS ARE FOR NOMINAL REFERENCE ONLY UNLESS OTHERWISE STATED

- 注释:
1. 技术参数, 见表1
  2. 推荐开孔尺寸详见如图所示
  3. 包装: 1PCS/袋
  4. 所有尺寸仅供参考, 除非另有说明

TE PN	TYPE	NUMBER OF POLES
T4140012021-001	RPC-M12-MF-2CON-PG9-LBU1	2
T4140012031-001	RPC-M12-MF-3CON-PG9-LBU1	3
T4140012041-001	RPC-M12-MF-4CON-PG9-LBU1	4
T4140012051-001	RPC-M12-MF-5CON-PG9-LBU1	5
T4140012081-001	RPC-M12-MF-8CON-PG9-LBU1	8



PIN ARRANGEMENT A-CODE



RECOMMENDED DRILLING DIAGRAM

PLATING	MATERIAL	DESCRIPTION	ITEM	2140012021-001	2140012031-001	2140012041-001	2140012051-001	2140012081-001
FLASH GOLD	COPPER ALLOY	CONTACT	5	2	3	4	5	8
NICKEL PLATED	COPPER ALLOY	METAL NUT	4	1	1	1	1	1
-	RUBBER	O-RING	3	1	1	1	1	1
NICKEL PLATED	COPPER ALLOY	M12, MALE, METAL BODY	2	1	1	1	1	1
-	PA66	M12, MALE HSG	1	1	1	1	1	1

THIS DRAWING IS A CONTROLLED DOCUMENT.

DWN: 28DEC2019 GAVIN WANG  
 CHK: 28DEC2019 KEVIN HUANG  
 APVD: 28DEC2019 CHRIS WANG

STE TE Connectivity

M12 PANEL MOUNT CONNECTOR  
 A CODE, MALE, REAR MOUNTING  
 PCB SOLDERING

PRODUCT SPEC: 108-106140  
 APPLICATION SPEC: 114-137144

MATERIAL: - FINISH: - WEIGHT: -

CUSTOMER DRAWING SCALE: 2:1 SHEET: 1 OF 1 REV: B