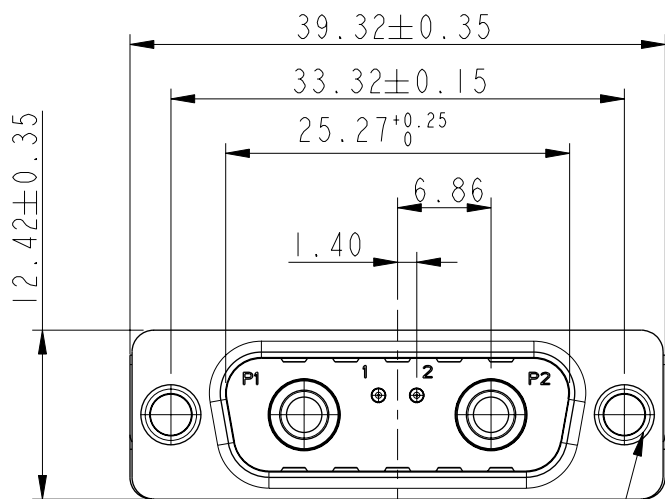
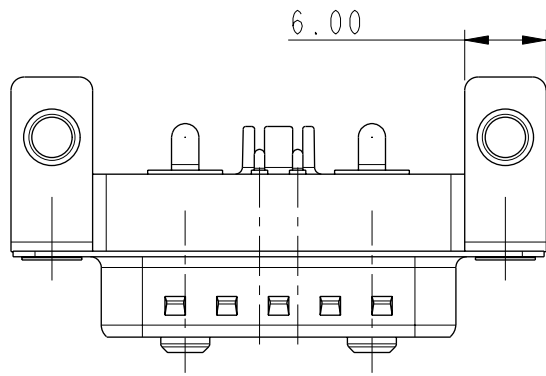


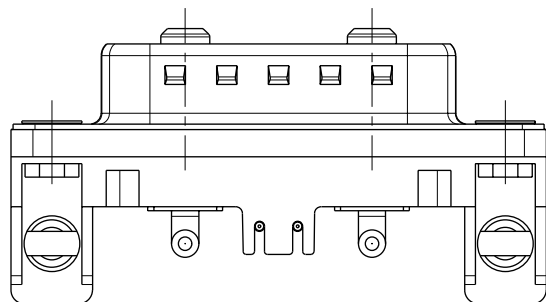
"This Product Meets European union directives & other country regulations as described in GS-22-008"
 Packing as per GS 14-1104

PART NO. 10070158-00319XLF

X-440 Threaded Insert
 L-M3 Threaded Insert

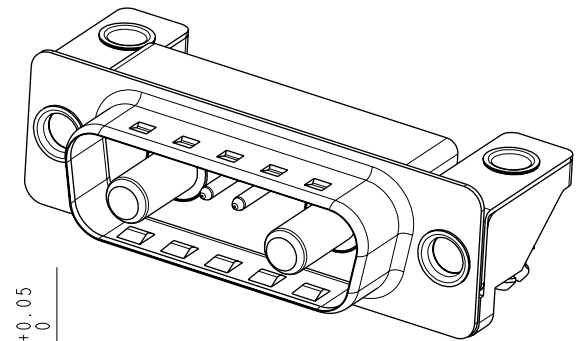
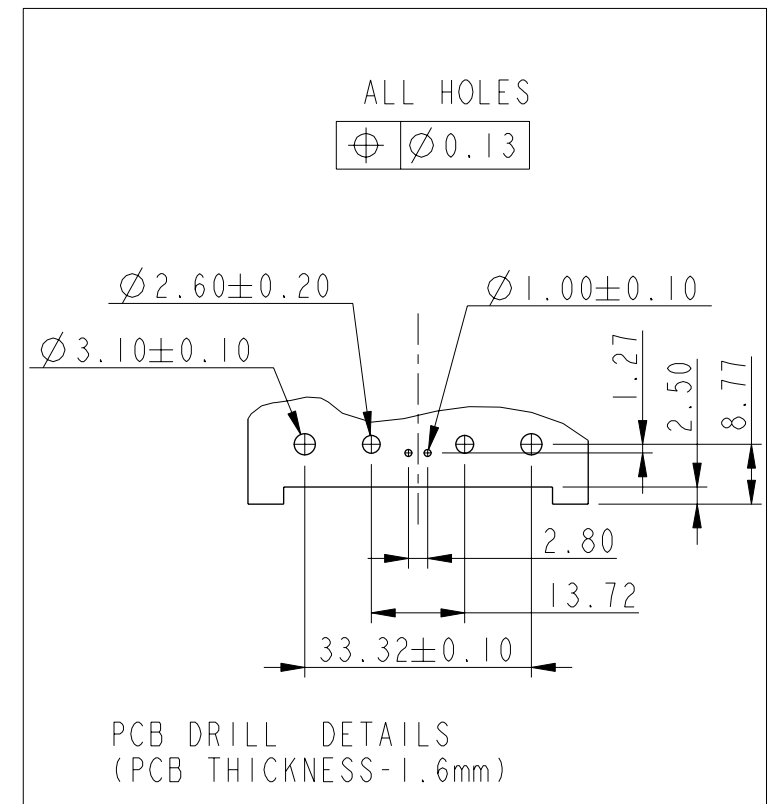
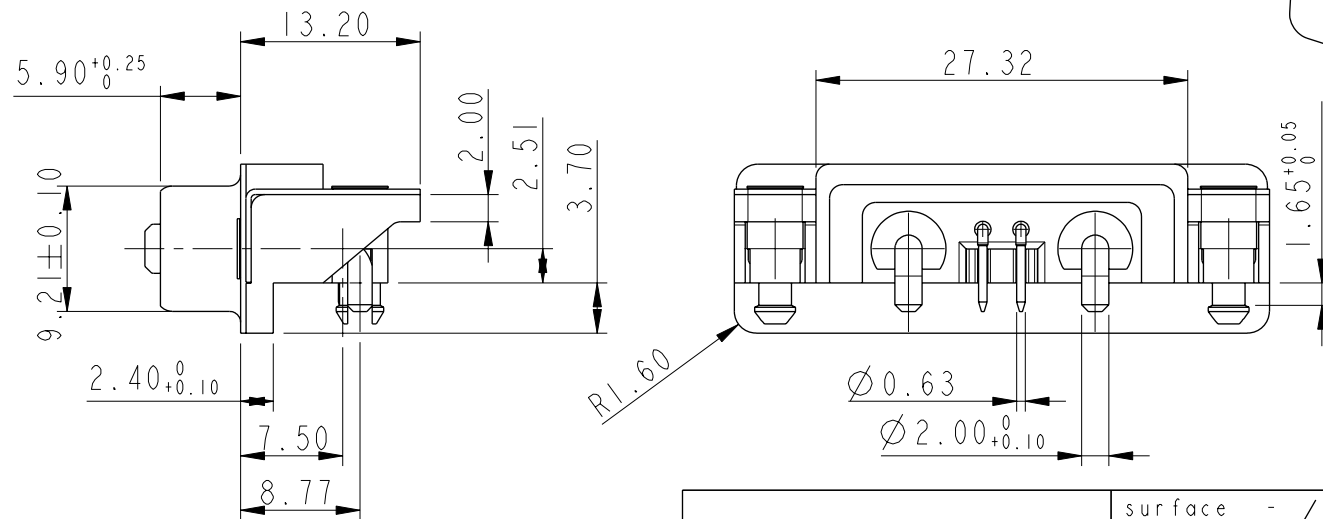


THREADED INSERT



TECHNICAL SPECIFICATIONS

- 1: MATERIAL:
 INSULATOR : High Temperature Thermoplastics
 CONTACTS : Copper alloy
 SHELLS : Steel with Nickel Plated
- 2: PLATING:
 CONTACT ACTIVE ZONE : GOLD or Equivalent (200 matings)
 TERMINATION ZONE : TIN over Cu
 HARPOON : BRASS- TIN
 CLINCH NUT : BRASS- Nickel
- 3: ELECTRICAL DATA:
 Current Rating : 48V/24A for Power contact
 : 0.375 A for signal contact
 Test Voltage : 1000V
 Contact Resistance : For Power contacts - $\leq 10\text{m}\Omega$
 : For Signal contacts - $\leq 25\text{m}\Omega$
 Insulation Resistance: 5000M Ohm
 Electrical continuity between shell and harpoon
- 4: ENVIRONMENTAL CHARACTERISTICS- ROHS Compatible
 Operating temperature : 70°C+30°C Temperature rise



Copyright FCI.

rev	ecn no	dr	date
A	107-0051	NG	2007-07-17
B	107-0163	NG	2007-11-30
C	108-0019	NG	2008-02-08
-	-	-	-
-	-	-	-
-	-	-	-

www.fciconnect.com		surface - ✓ ISO 1302	tolerance std ISO 406 ISO 1101	projection mm
TOLERANCES UNLESS OTHERWISE SPECIFIED				
Dr	NIRMAL G	2006-10-19	ANGULAR	0.X ±0.3
Eng	NIRMAL G	2007-11-29	LINEAR	0.XX ±0.10
Chr	ANISH SALAM	2008-02-08	0° ±2°	0.XXX ±0.050
Appr	BIJU K PAUL	2008-02-08	Product family	-D-SUB
title SINGLE_PCB CONNECTOR -48V			size	A3
MicroTCA_MALE SOLDER TO BOARD VERSION			ECN	107-0163
catalog no			Spec ref	
dwg no			10070158-003	Rev. C
CUSTOMER			sheet 1 of 1	