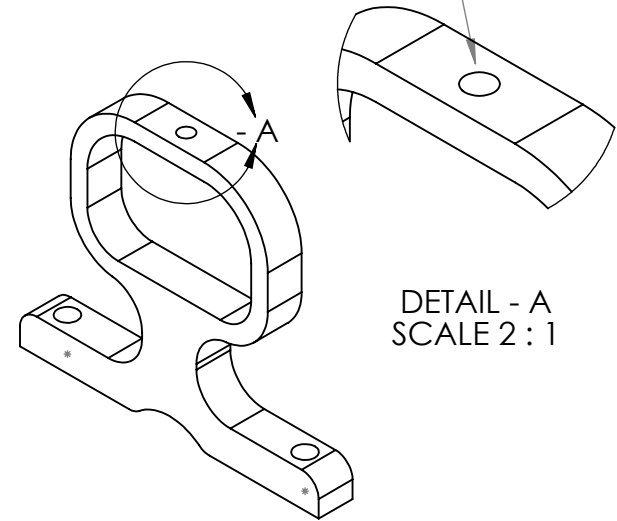


6-32 UNC



PROPRIETARY INFORMATION
 THE INFORMATION CONTAINED IN THIS DRAWING IS THE SOLE PROPERTY OF PARALLAX, INC. ANY REPRODUCTION IN PART OR IN WHOLE WITHOUT THE WRITTEN PERMISSION OF PARALLAX INC. IS PROHIBITED.

UNLESS OTHERWISE SPECIFIED
 DIMENSIONS ARE IN INCHES (mm)
 LENGTH TOLERANCES:
 X.XX ±0.010 IN
 X.XXX ±0.005 IN
 ANGLE TOLERANCES:
 X ±5°
 X.X ±1°

PARALLAX  TM
 599 MENLO DRIVE www.PARALLAX.com
 ROCKLIN, CA 95765 (916) 624-8333

Date: 06/16/2017

Part # 720-28055 Rev A-1

Parent Part # 725-28055

Product Title

LW 20 Sensor Stand

Drawn by: K Glass

SCALE 1:1 Material: 6061 Alum Alloy

Sheet 1