

4

3

2

1

THIS DRAWING IS UNPUBLISHED. RELEASED FOR PUBLICATION MAY 2011.
 © COPYRIGHT 2011 By Tyco Electronics Japan G.K. ALL RIGHTS RESERVED.

LOC	DIST	REVISIONS			
P	LTR	DESCRIPTION	DATE	DWN	APVD
J	-	U1 REVISED	20MAY'15	J.W	C.W

Technical drawings of the ILM cover assembly. The top view shows a rectangular cover with dimensions: REF 9.73, 54.4, REF 36, 15.25, REF 66.08, 61.2, 73.3, REF 6.5, and REF 1.9. Callouts include ①, ②, ③, ④, and ⑤. A detail view shows a T-20 6-LOBE DRIVE with dimensions REF 0.4, 0.6, and 0.9. A side view shows the lever mechanism with dimensions REF 33.2, REF 56.5, and REF 122.6. Callouts include ③ and ④. Labels include 'LOAD PLATE OPEN POSITON', 'LEVER LOCK POSITON', 'LEVER OPEN POSITION', and 'TE 13XXLM'. A date code 'XXXXXX' is shown.

Top view of the ILM cover assembly showing callouts ② and ⑤. A dimension of $\phi 5.6$ is indicated.

3D VIEW (REFERENCE)

1939738-1 : AS SHOWN

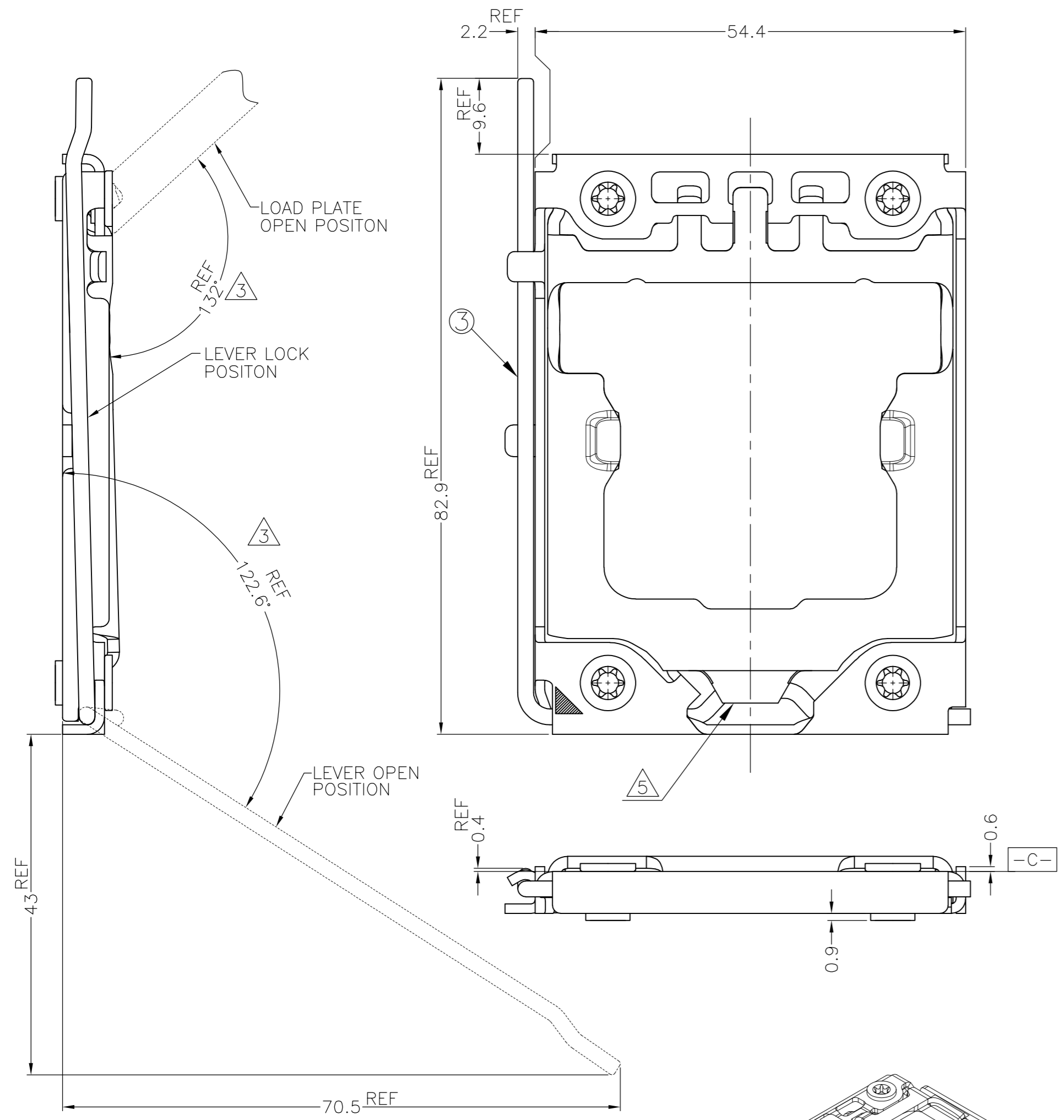
WEIGHT(g)	DESCRIPTION	PART NUMBER
47.1	U LEVER TYPE WITH COVER	2-1939738-1
44.2	SHORT STRAIGHT LEVER TYPE	1-1939738-1
44.0	STRAIGHT LEVER TYPE	1-1939738-2
44.2	U LEVER TYPE	1939738-1

THIS DRAWING IS A CONTROLLED DOCUMENT.		DWN H.TAGUCHI 17DEC2007	TE TE Connectivity	
DIMENSIONS: mm		CHK S.HASHIMOTO 17DEC2007		
TOLERANCES UNLESS OTHERWISE SPECIFIED:		APVD S.HASHIMOTO 17DEC2007	NAME	
0 PLC	±	PRODUCT SPEC	ILM COVER ASSY	
1 PLC	±	108-78496	LGA13XX	
2 PLC	±	APPLICATION SPEC	SIZE A2	CAGE CODE 00779
3 PLC	±	114-5432	DRAWING NO	RESTRICTED TO
4 PLC	±	SEE TABLE	C=1939738	-
ANGLES	±	CUSTOMER DRAWING	SCALE 2:1	SHEET 1 of 3
FINISH	±		REV U1	

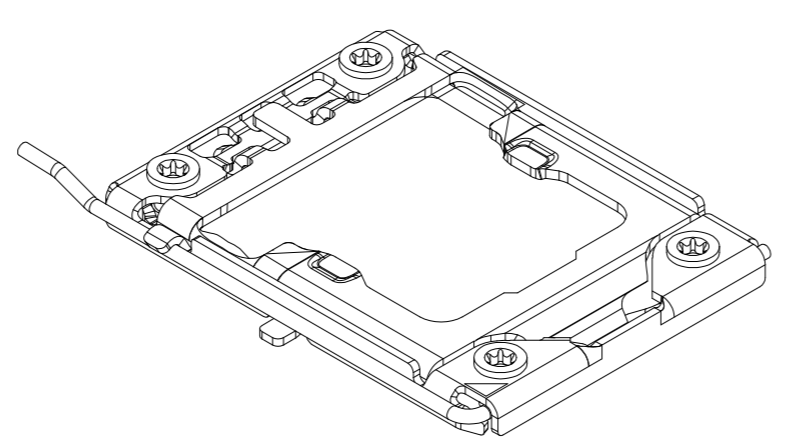
1471-9 (3/11)

1939738

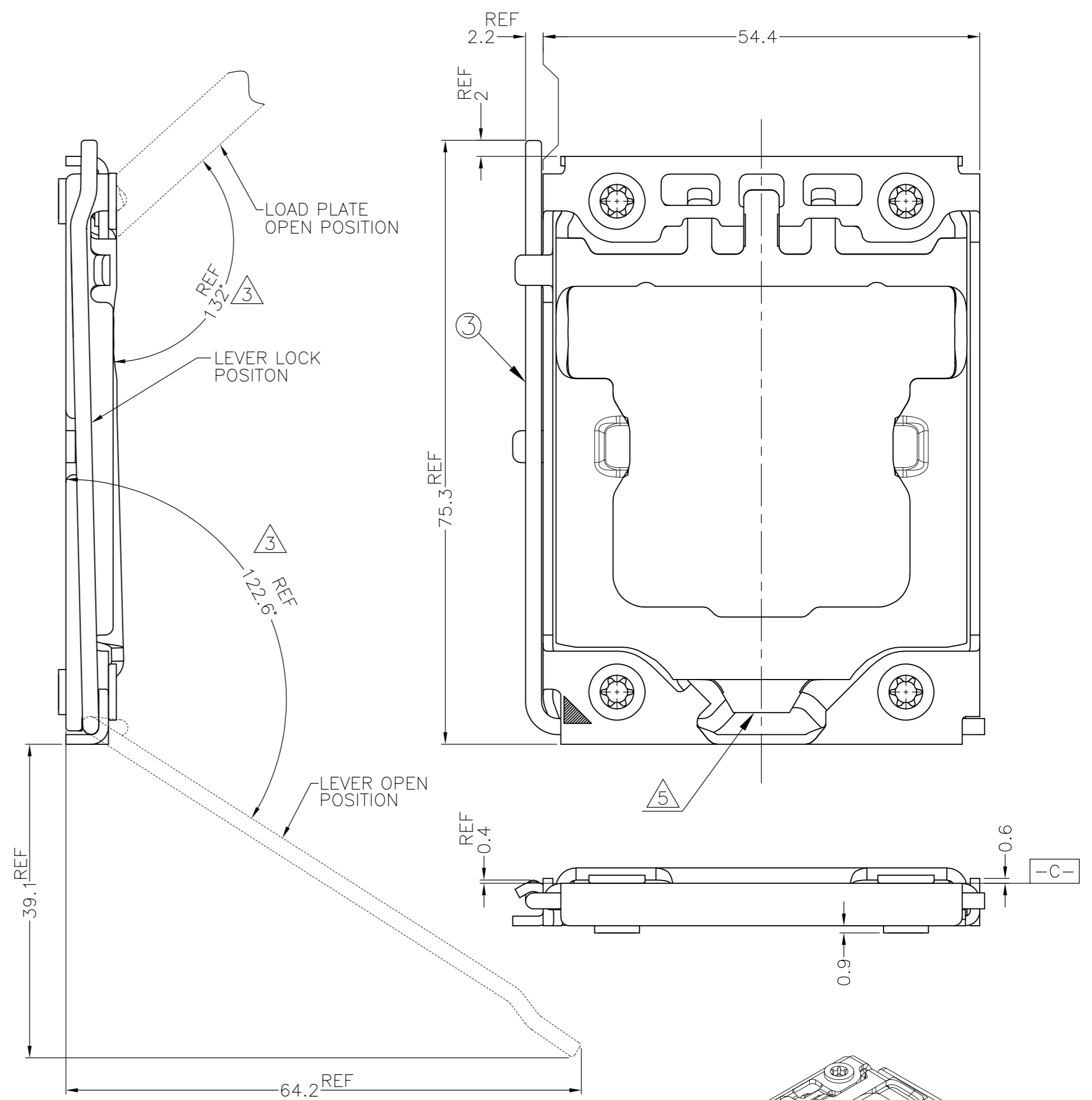
LOC		DIST		REVISIONS			
P	LTR	DESCRIPTION	DATE	DWN	APVD		
-	-	SEE SHEET 1	-	-	-		



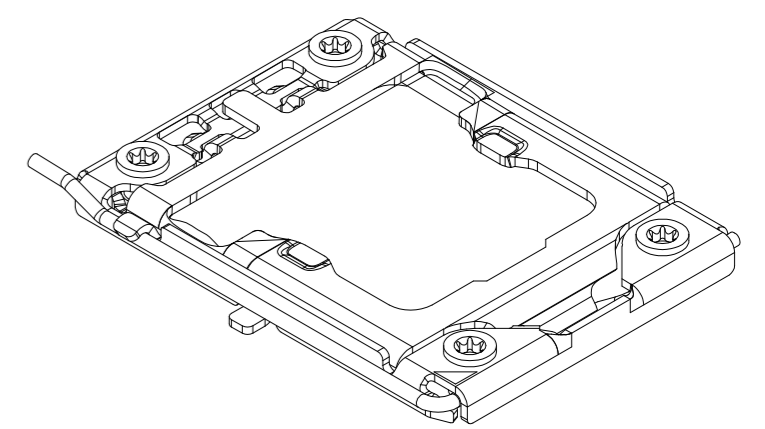
1-1939738-2 : AS SHOWN



3D VIEW (REFERENCE)



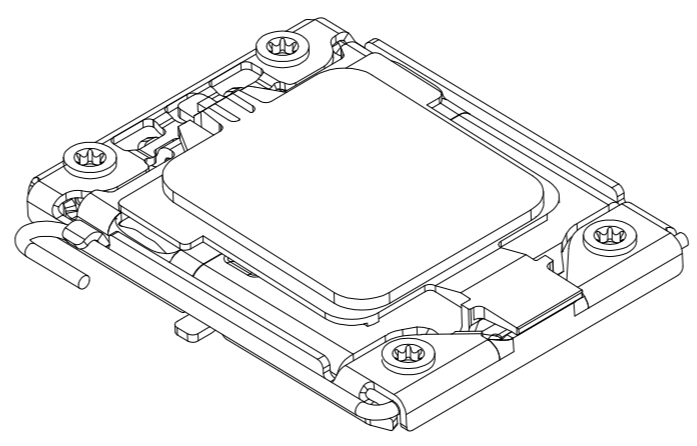
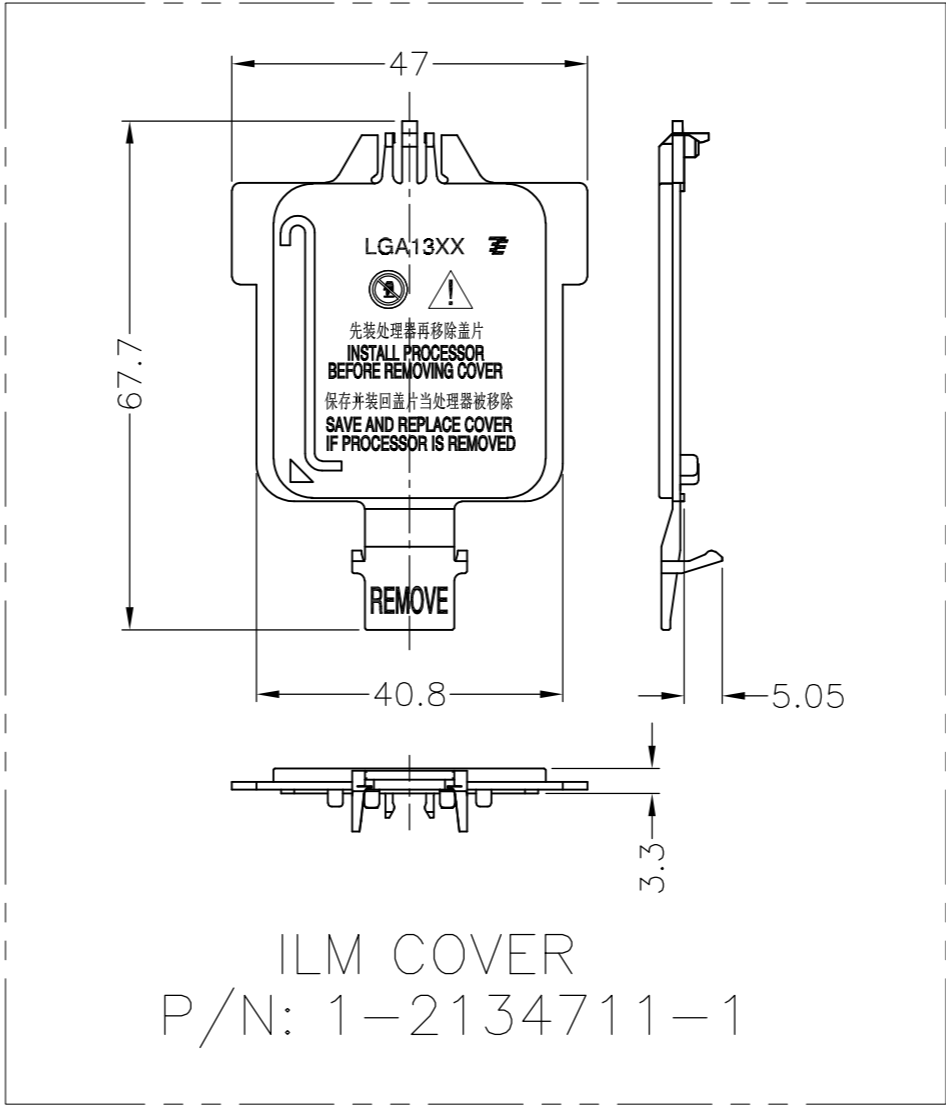
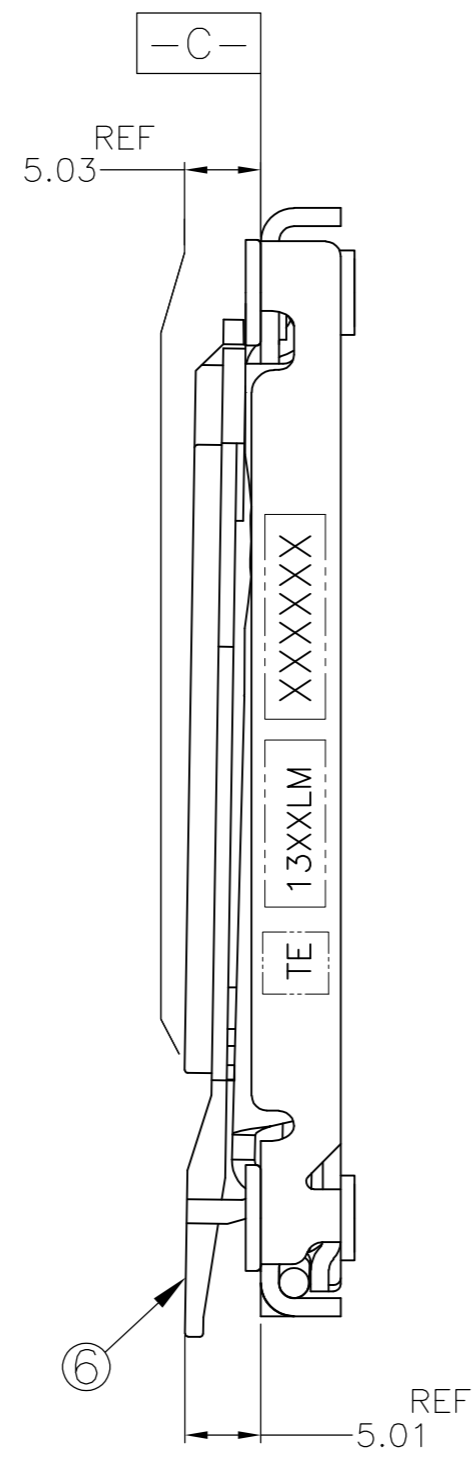
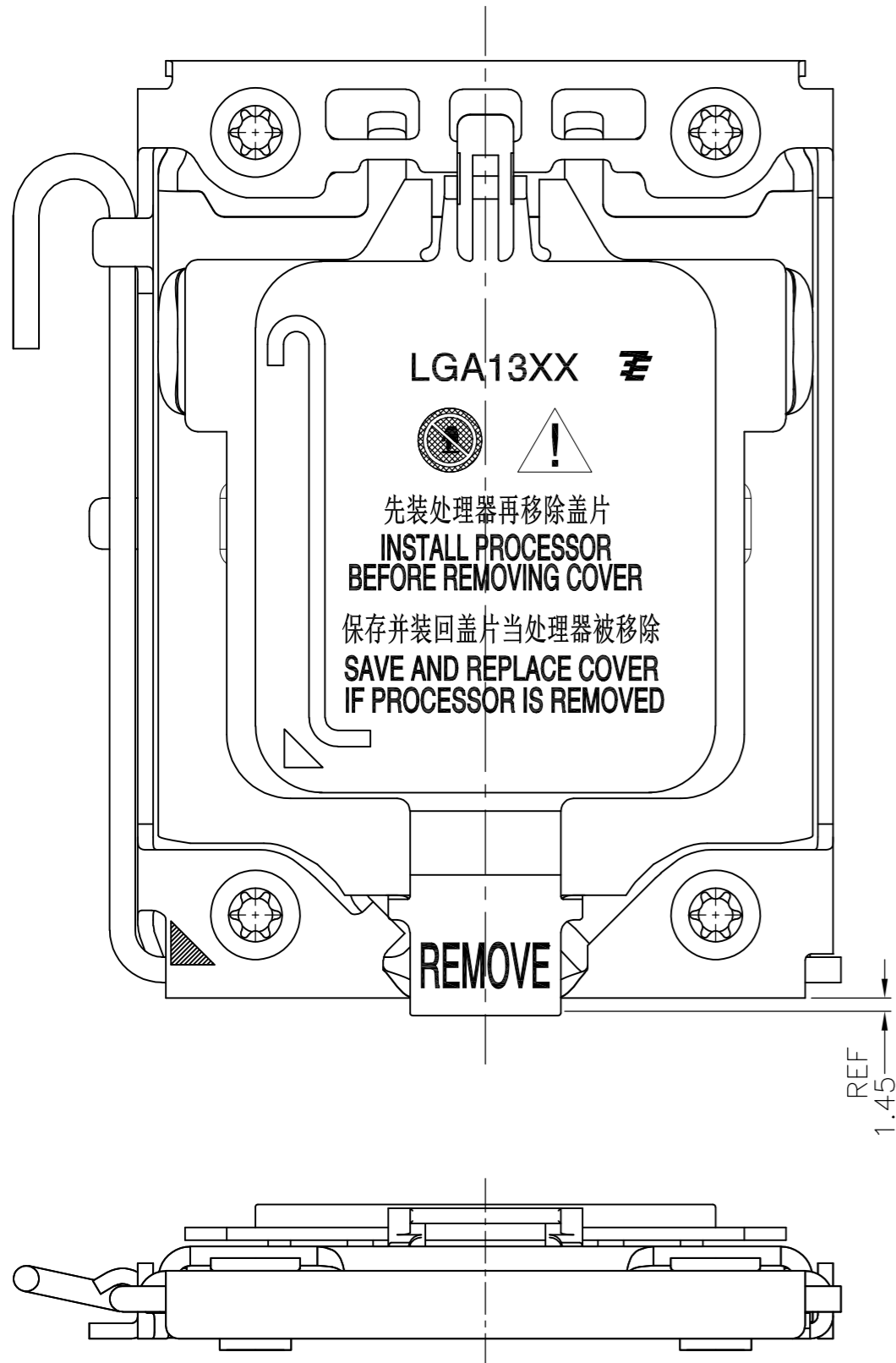
1-1939738-1 : AS SHOWN



3D VIEW (REFERENCE)

THIS DRAWING IS A CONTROLLED DOCUMENT.		DWN		
DIMENSIONS: mm		CHK		
TOLERANCES UNLESS OTHERWISE SPECIFIED		APVD		
0 PLC ±		PRODUCT SPEC	NAME	
1 PLC ± -		APPLICATION SPEC	ILM COVER ASSY	
2 PLC ± -		WEIGHT	SIZE	CAGE CODE
3 PLC ± -		CUSTOMER DRAWING	A2	00779
4 PLC ± -		SCALE	DRAWING NO	RESTRICTED TO
ANGLES ± -		NTS	C=1939738	-
FINISH		SHEET	2	OF 3
		REV	U1	

LOC		DIST		REVISIONS			
P	LTR	DESCRIPTION	DATE	DWN	APVD		
J	-	SEE SHEET 1	-	-	-		



3D VIEW (REFERENCE)

- MATERIAL
 - ① FRAME: STAINLESS STEEL
 - ② LOAD PLATE: STAINLESS STEEL
 - ③ LEVER: SUS304, 2 DIA
 - ④ NUT: STEEL
 - FINISH: NICKEL PLATING
 - ⑤ COLLAR: STEEL
 - FINISH: NICKEL PLATING
 - ⑥ COVER: THERMO-PLASTIC, UL94 V-0, BLACK
2. APPLICABLE SOCKET ASSY LGA1366 OR SOCKET ASSY LGA1356 (DRAWING NUMBER: 1981837 OR 1554116 OR 2229732)
- ⚠ DO NOT OPEN WITH FORCE FROM OPEN END
- ⚠ INDICATED DATE CODE ON THE FRAME
- ⚠ LOAD PLATE IS NOT LOCKED BY LEVER

2-1939738-1 : AS SHOWN
UNLESS SPECIFIED
DIMENSIONS ARE SAME WITH -1

THIS DRAWING IS A CONTROLLED DOCUMENT.		DWN			
DIMENSIONS: mm		CHK			
TOLERANCES UNLESS OTHERWISE SPECIFIED		APVD	NAME		
0 PLC ±		PRODUCT SPEC	ILM COVER ASSY		
1 PLC ± -		APPLICATION SPEC	LGA13XX		
2 PLC ± -		WEIGHT	SIZE	CAGE CODE	DRAWING NO
3 PLC ± -		MATERIAL	A2	00779	C=1939738
4 PLC ± -			CUSTOMER DRAWING	SCALE	SHEET
ANGLES ± -		FINISH	NTS	3 OF 3	U1