

T-45-23-13

54/74197 54LS/74LS197

PRESETTABLE BINARY COUNTERS

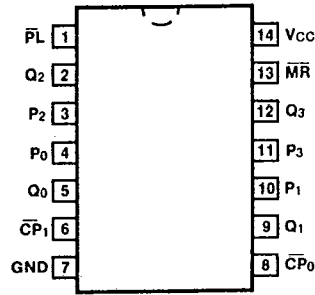
DESCRIPTION — The '197 ripple counter contains divide-by-two and divide-by-eight sections which can be combined to form a modulo-16 binary counter. State changes are initiated by the falling edge of the clock. The '197 has a Master Reset (\overline{MR}) input which overrides all other inputs and asynchronously forces all outputs LOW. A Parallel Load input (\overline{PL}) overrides clocked operations and asynchronously loads the data on the Parallel Data inputs (P_n) into the flip-flops. This preset feature makes the circuit usable as a programmable counter. The circuit can also be used as a 4-bit latch, loading data from the Parallel Data inputs when \overline{PL} is LOW and storing the data when \overline{PL} is HIGH. For detail specifications and functional description, please refer to the '196 data sheet.

- HIGH COUNTING RATES — TYPICALLY 70 MHz
- ASYNCHRONOUS PRESET
- ASYNCHRONOUS MASTER RESET

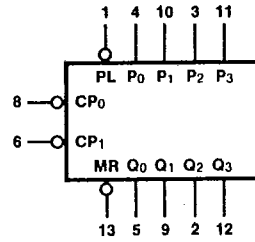
ORDERING CODE: See Section 9

PKGS	PIN OUT	COMMERCIAL GRADE	MILITARY GRADE	PKG TYPE
		$V_{CC} = +5.0 V \pm 5\%$, $T_A = 0^\circ C$ to $+70^\circ C$	$V_{CC} = +5.0 V \pm 10\%$, $T_A = -55^\circ C$ to $+125^\circ C$	
Plastic DIP (P)	A	74197PC, 74LS197PC		9A
Ceramic DIP (D)	A	74197DC, 74LS197DC	54197DM, 54LS197DM	6A
Flatpak (F)	A	74197FC, 74LS197FC	54197FM, 54LS197FM	3I

CONNECTION DIAGRAM PINOUT A



LOGIC SYMBOL



$V_{CC} = \text{Pin } 14$
 $GND = \text{Pin } 7$

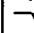
INPUT LOADING/FAN-OUT: See Section 3 for U.L. definitions

PIN NAMES	DESCRIPTION	54/74 (U.L.) HIGH/LOW	54/74LS (U.L.) HIGH/LOW
\overline{CP}_0	$\div 2$ Section Clock Input (Active Falling Edge)	2.0/3.0	1.0/1.5
\overline{CP}_1	$\div 8$ Section Clock Input (Active Falling Edge)	2.0/2.0	1.0/0.81
\overline{MR}	Asynchronous Master Reset Input (Active LOW)	2.0/2.0	1.0/0.5
$P_0 - P_3$	Parallel Data Inputs	1.0/1.0	0.5/0.25
\overline{PL}	Asynchronous Parallel Load Input (Active LOW)	1.0/1.0	0.5/0.25
Q_0	$\div 2$ Section Output*	20/10	10/5.0 (2.5)
$Q_1 - Q_3$	$\div 8$ Section Outputs	20/10	10/5.0 (2.5)

* Q_0 output is guaranteed to drive the full rated fan-out plus the \overline{CP}_1 input.

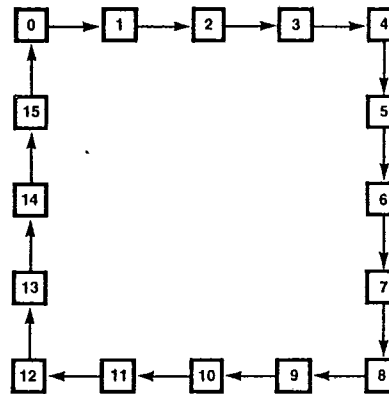
4

MODE SELECTION TABLE

INPUTS			RESPONSE
\overline{MR}	\overline{PL}	\overline{CP}	
L	X	X	Q_n forced LOW
H	L	X	$P_n \rightarrow Q_n$
H	H		Count Up

H = HIGH Voltage Level
 L = LOW Voltage Level
 X = Immaterial

÷ 16 STATE DIAGRAM



LOGIC DIAGRAM

