

4

3

2

1

THIS DRAWING IS UNPUBLISHED. RELEASED FOR PUBLICATION 2006
 © COPYRIGHT 2006 BY TYCO ELECTRONICS CORPORATION. ALL RIGHTS RESERVED.

LOC	DIST	REVISIONS				
P	LTR	DESCRIPTION	DATE	DWN	APVD	
A1	-	A2	new pro/E drawing ECR-08-022832	16 JUL 2008	SR	ST

D

D

C

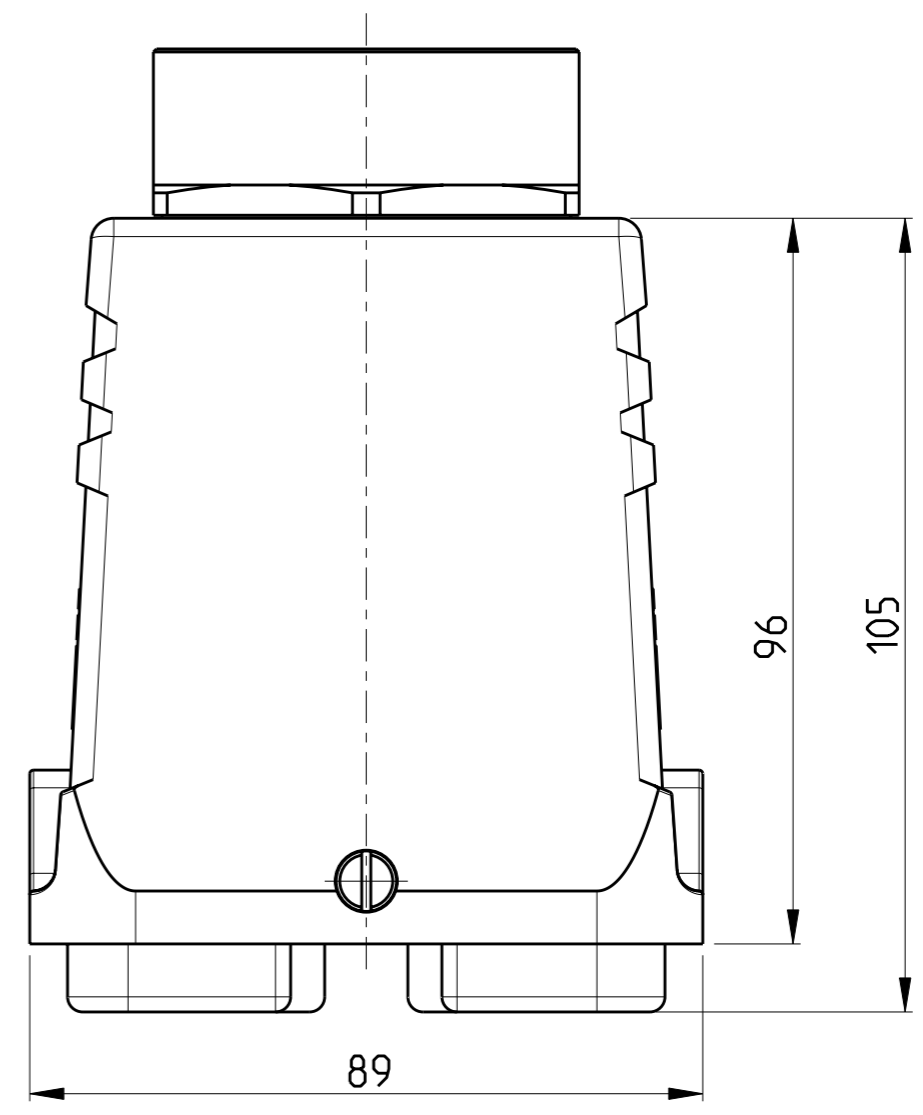
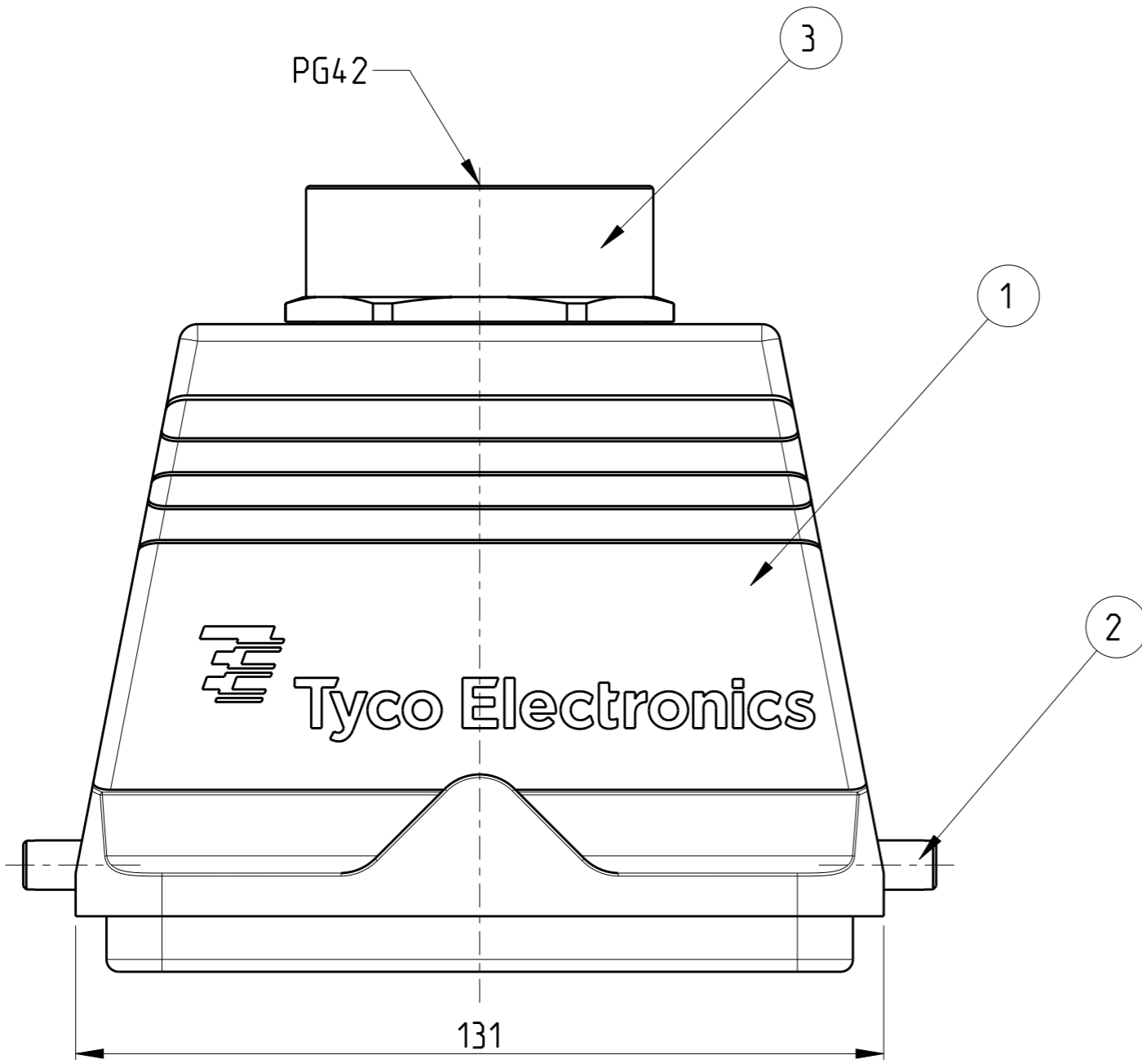
C

B

B

A

A



1-7	DESCRIPTION	MATERIAL	SURFACE	COLOR	ITEM
1	ADAPTOR	BRASS	NICKEL PLATED	BLUE	3
2	CLIP BOLT	STEEL	ZINCPLATED	BLUE	2
1	HOOD HB	ALUMINIUM/ALU		GREY	1

HB.48.STO-GR.1.42.Z

NOTES

- 1 PART SHALL BE FREE AND CLEAN OF BURRS AND OTHER FOREIGN MATERIAL
- 2 PACKAGING: QUANTITY 3 PIECES
- 3 VARNISHING INSIDE HOUSING NOT REQUIRED

<small>THIS DRAWING IS A CONTROLLED DOCUMENT FOR TYCO ELECTRONICS CORPORATION IT IS SUBJECT TO CHANGE AND THE CONTROLLING ENGINEERING ORGANIZATION SHOULD BE CONTACTED FOR THE LATEST REVISION.</small>		DWN R.SCHNEIDER 16 JUL 2008 CHK T.SCHNURPFEL 16 JUL 2008 APVD - PRODUCT SPEC - APPLICATION SPEC - WEIGHT -	Tyco Electronics tyco Electronics AMP GmbH 53819 Neunkirchen (Germany)
DIMENSIONS: mm 	TOLERANCES UNLESS OTHERWISE SPECIFIED: 0 PLC ±- 1 PLC ±- 2 PLC ±- 3 PLC ±- 4 PLC ±- ANGLES ±1° MATERIAL - FINISH -	NAME HOOD HB.48.STO-GR.1.42.Z SIZE A3 CAGE CODE 00779 DRAWING NO C-1102387 RESTRICTED TO -	
CUSTOMER DRAWING		SCALE 1:1	SHEET 1 OF 1 REV A2