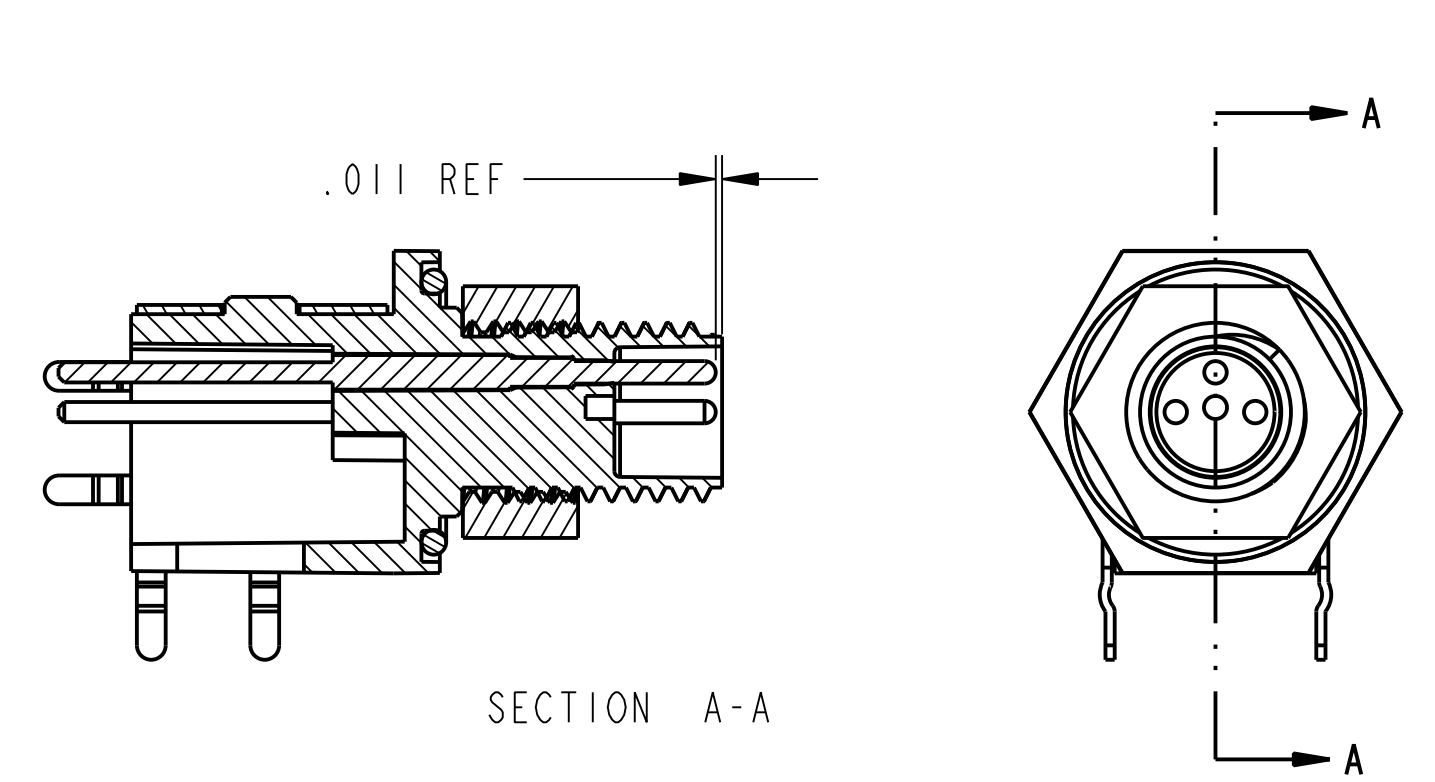


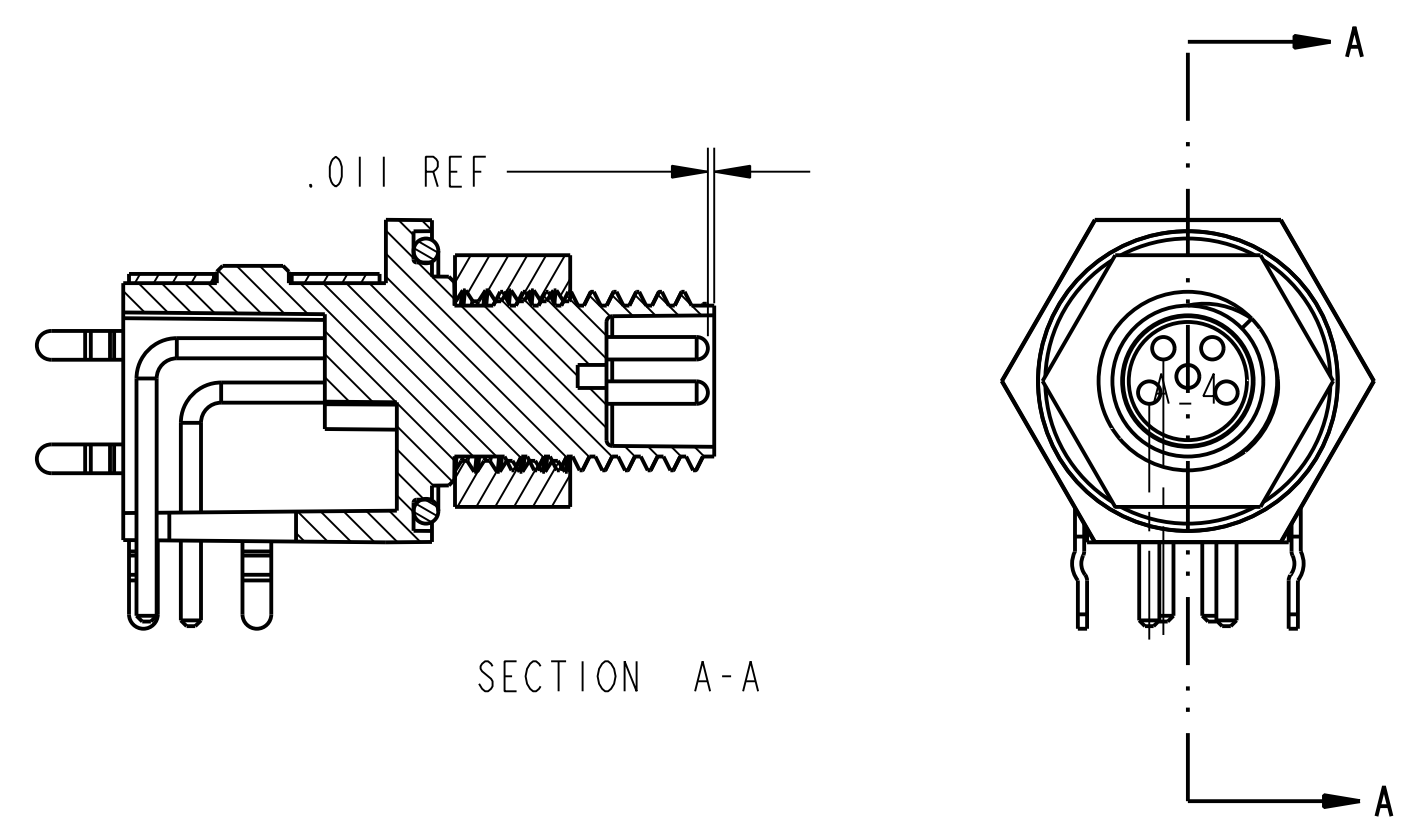
PCB MOUNT NC MALE RA 3 POLE
MATERIAL NUMBER: 1200900014
ENGINEERING NUMBER: 4R3F570005

PART DESCRIPTION	PART NUMBER	QTY.
NC MALE HEADER 3 PIN	56-4500-03	1
LOCK NUT PCB NC MALE	23-0006-01	1
O-RING	00-0002-03	1
BRACKET SUPPORT PCB NC	56-0060-01	1
PIN NC PCB UPPER	51-2200-02	1
PIN NC PCB MIDDLE	51-2200-03	2



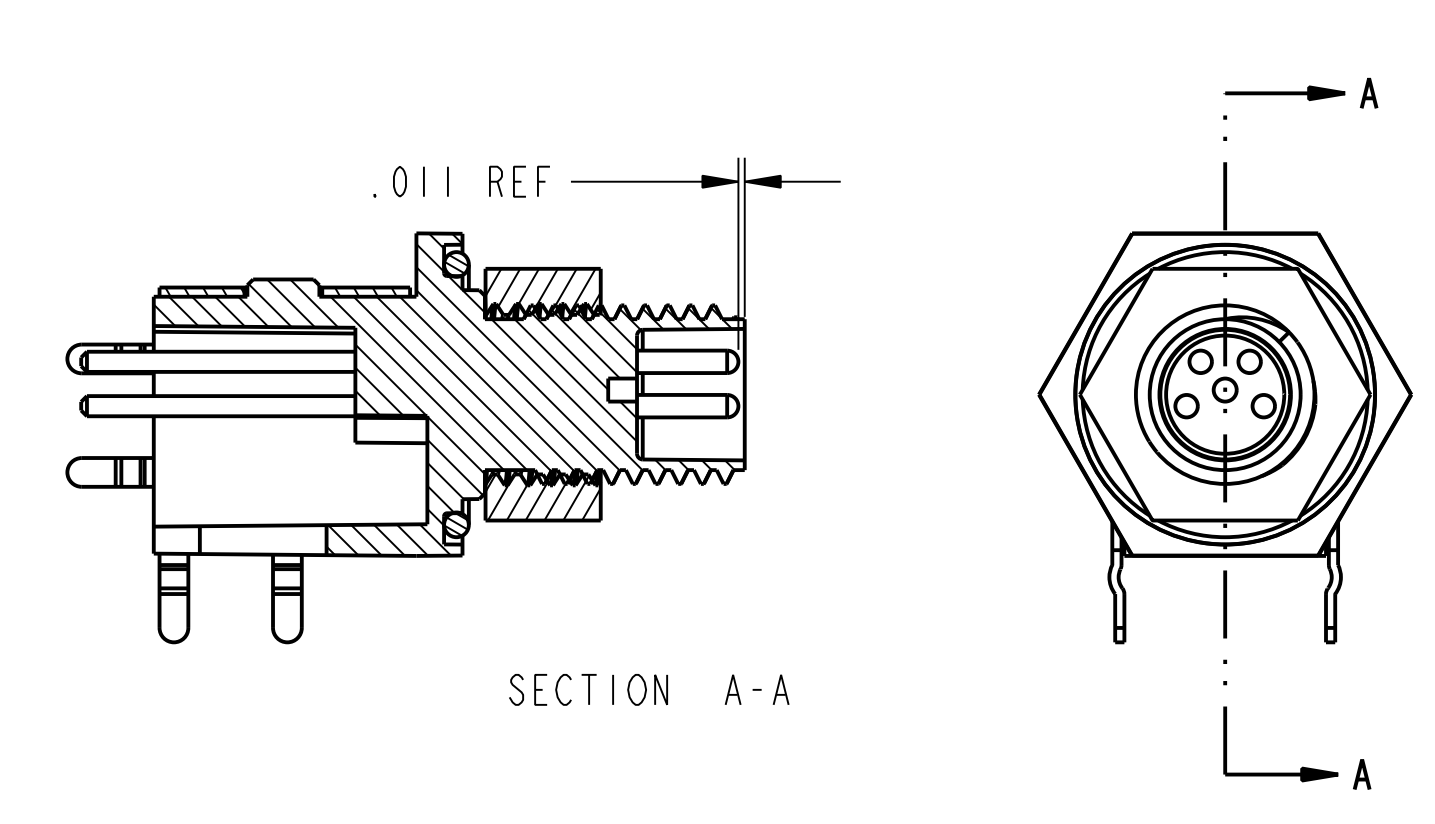
PCB MOUNT NC MALE STRAIGHT 3 POLE
MATERIAL NUMBER: 1200900012
ENGINEERING NUMBER: 4R3F560005

PART DESCRIPTION	PART NUMBER	QTY.
NC MALE HEADER 3 PIN	56-4500-03	1
LOCK NUT PCB NC MALE	23-0006-01	1
O-RING	00-0002-03	1
BRACKET SUPPORT PCB NC	56-0060-01	1
PIN NC PCB STRAIGHT	51-2200-01	3



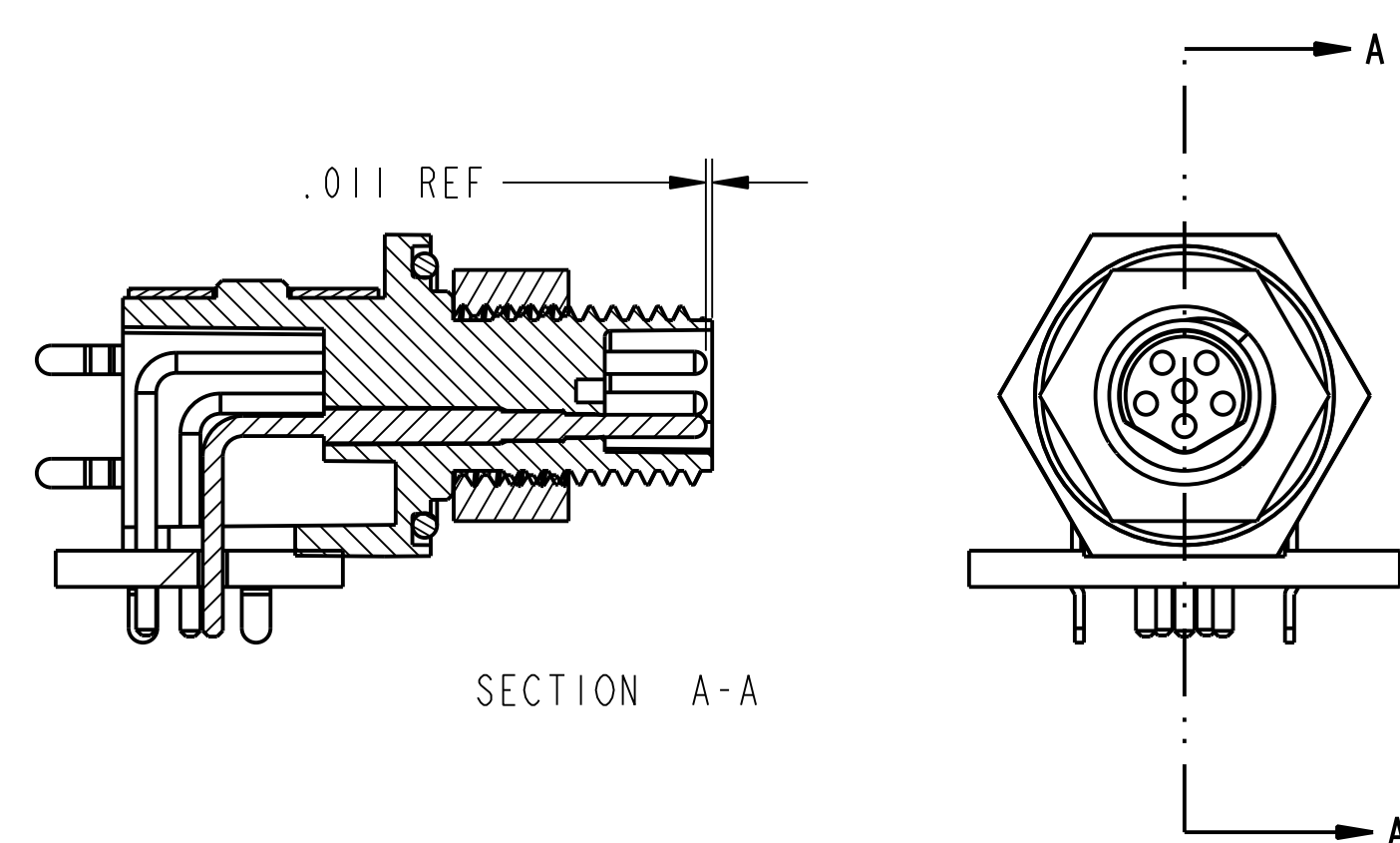
PCB MOUNT NC MALE RA 4 POLE
MATERIAL NUMBER: 1200900027
ENGINEERING NUMBER: 4R4F570005

PART DESCRIPTION	PART NUMBER	QTY.
NC MALE HEADER 4 PIN	56-4500-04	1
LOCK NUT PCB NC MALE	23-0006-01	1
O-RING	00-0002-03	1
BRACKET SUPPORT PCB NC	56-0060-01	1
PIN NC PCB UPPER	51-2200-02	2
PIN NC PCB MIDDLE	51-2200-03	2



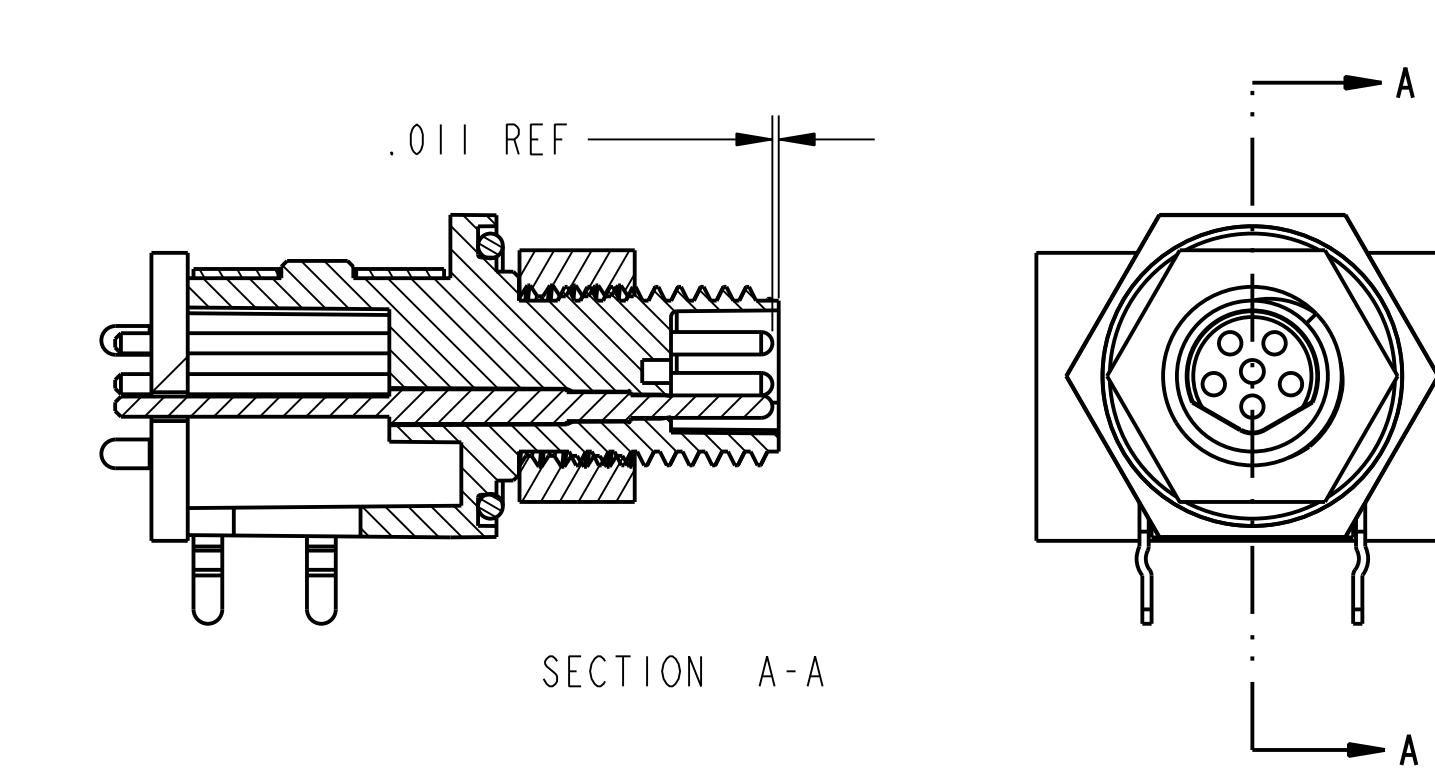
PCB MOUNT NC MALE STRAIGHT 4 POLE
MATERIAL NUMBER: 1200900025
ENGINEERING NUMBER: 4R4F560005

PART DESCRIPTION	PART NUMBER	QTY.
NC MALE HEADER 4 PIN	56-4500-04	1
LOCK NUT PCB NC MALE	23-0006-01	1
O-RING	00-0002-03	1
BRACKET SUPPORT PCB NC	56-0060-01	1
PIN NC PCB STRAIGHT	51-2200-01	4



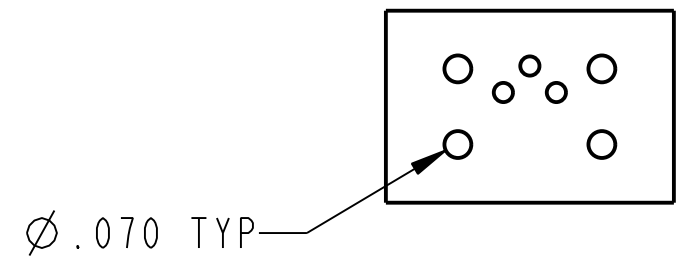
PCB MOUNT NC MALE RA 5 POLE
MATERIAL NUMBER: 1200900035
ENGINEERING NUMBER: 4R5F570005

PART DESCRIPTION	PART NUMBER	QTY.
NC MALE HEADER 5 PIN	56-4500-05	1
LOCK NUT PCB NC MALE	23-0006-01	1
O-RING	00-0002-03	1
BRACKET SUPPORT PCB NC	56-0060-01	1
PIN NC PCB UPPER	51-2200-02	2
PIN NC PCB MIDDLE	51-2200-03	2
PIN NC PCB LOWER	51-2200-04	1

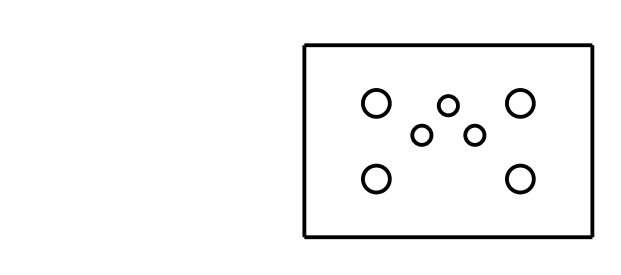


PCB MOUNT NC MALE STRAIGHT 5 POLE
MATERIAL NUMBER: 1200900034
ENGINEERING NUMBER: 4R5F560005

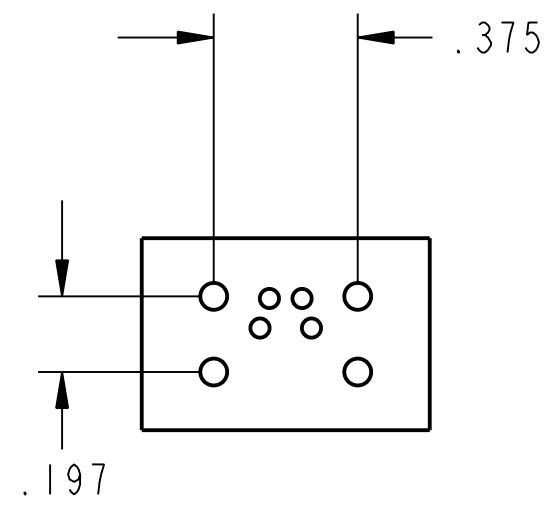
PART DESCRIPTION	PART NUMBER	QTY.
NC MALE HEADER 5 PIN	56-4500-05	1
LOCK NUT PCB NC MALE	23-0006-01	1
O-RING	00-0002-03	1
BRACKET SUPPORT PCB NC	56-0060-01	1
PIN NC PCB STRAIGHT	51-2200-01	5



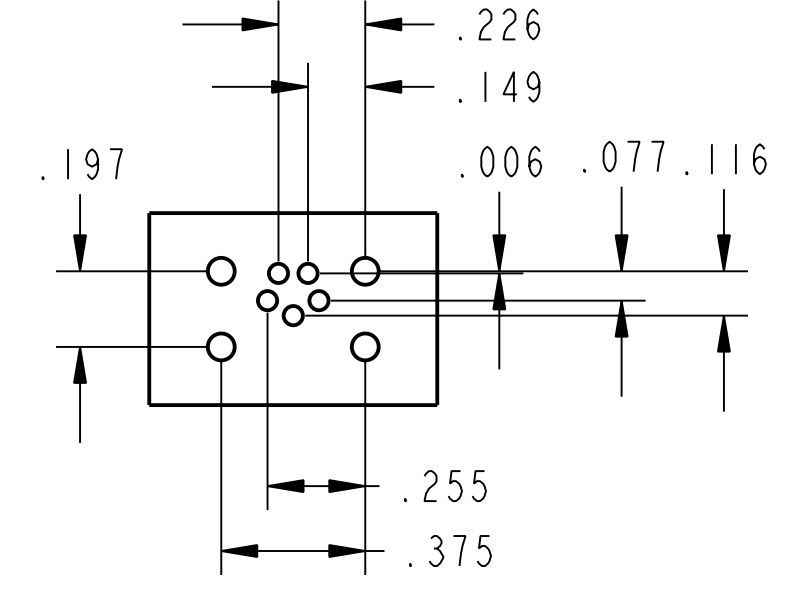
RECOMMENDED PCB HOLE LAYOUT FOR 3 POLE STRAIGHT CONNECTOR
SCALE 2.000



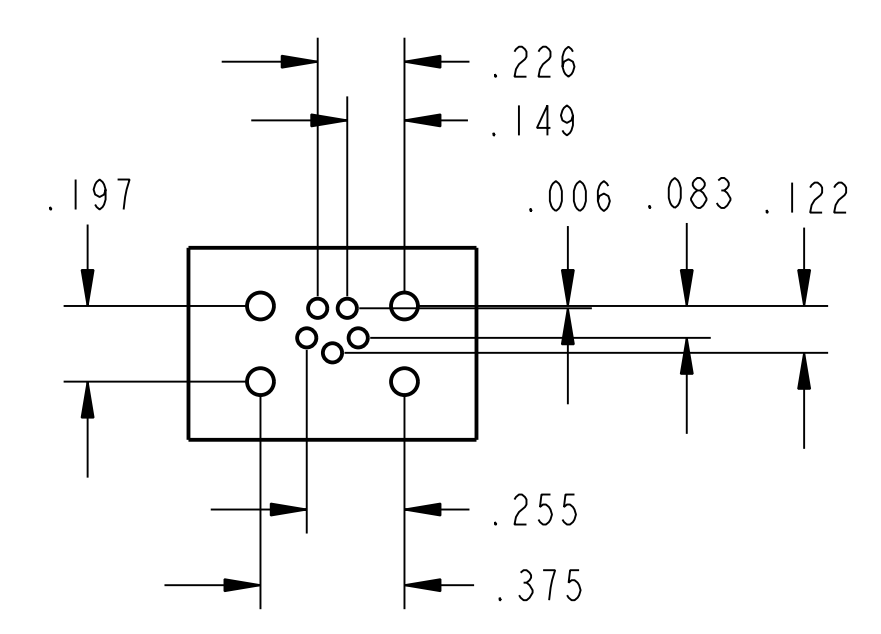
RECOMMENDED PCB HOLE LAYOUT FOR 3 POLE RA CONNECTOR
SCALE 2.000



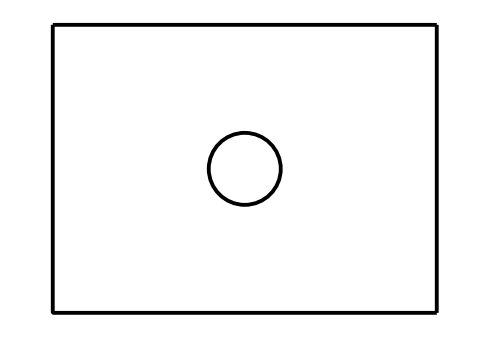
RECOMMENDED PCB HOLE LAYOUT FOR 4 POLE STRAIGHT & RIGHT ANGLE CONNECTORS
SCALE 2.000



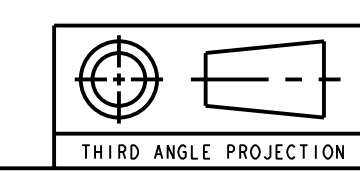
RECOMMENDED PCB LAYOUT FOR 5 POLE STRAIGHT CONNECTORS
SCALE 2.000



RECOMMENDED PCB LAYOUT FOR 5 POLE RIGHT ANGLE CONNECTOR
SCALE 2.000



RECOMMENDED PANEL HOLE CUTOUT
SCALE 1.000



THIS DRAWING CONTAINS INFORMATION THAT IS PROPRIETARY TO MOLEX INCORPORATED AND SHOULD NOT BE USED WITHOUT WRITTEN PERMISSION

DRAWN BY EMD	DATE 4/00	MOLEX INCORPORATED	PCB MOUNT NC MALE ASSY
CHECKED BY SK	DATE 4/17/00		
MATERIAL		TITLE	
FINISH		SCALE	
UNLESS OTHERWISE SPECIFIED TOLERANCES ARE .X = ±.020 .XX = ±.010 XXX = ±.005 FRACTIONAL = ± 1/64 ANGULAR = ± 1/2°		SIZE D	DRAWING NUMBER 67-4000
PROJECT NUMBER		REV B	SHEET 1 OF 1