

THIS DRAWING IS UNPUBLISHED.

RELEASED FOR PUBLICATION

ALL RIGHTS RESERVED.

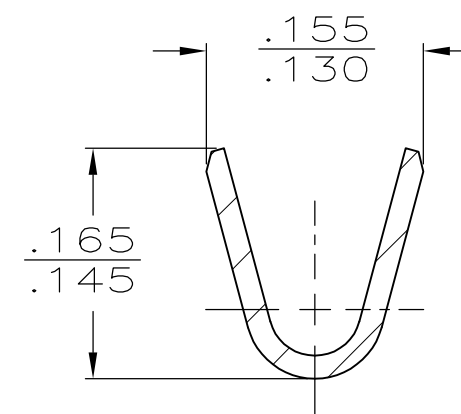
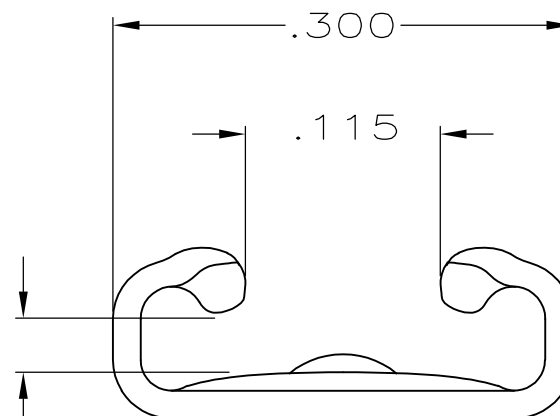
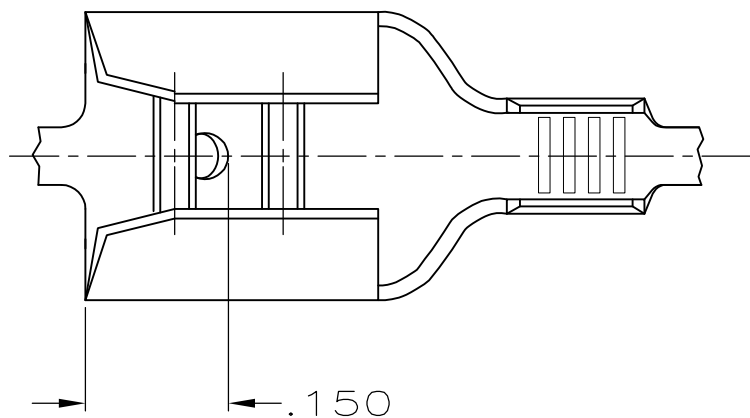
© COPYRIGHT - By -

LOC AF DIST 50

REVISIONS

P	LTR	DESCRIPTION	DATE	DWN	APVD
	F	REVISED PER ECR-12-013445	18OCT12	KH	PD

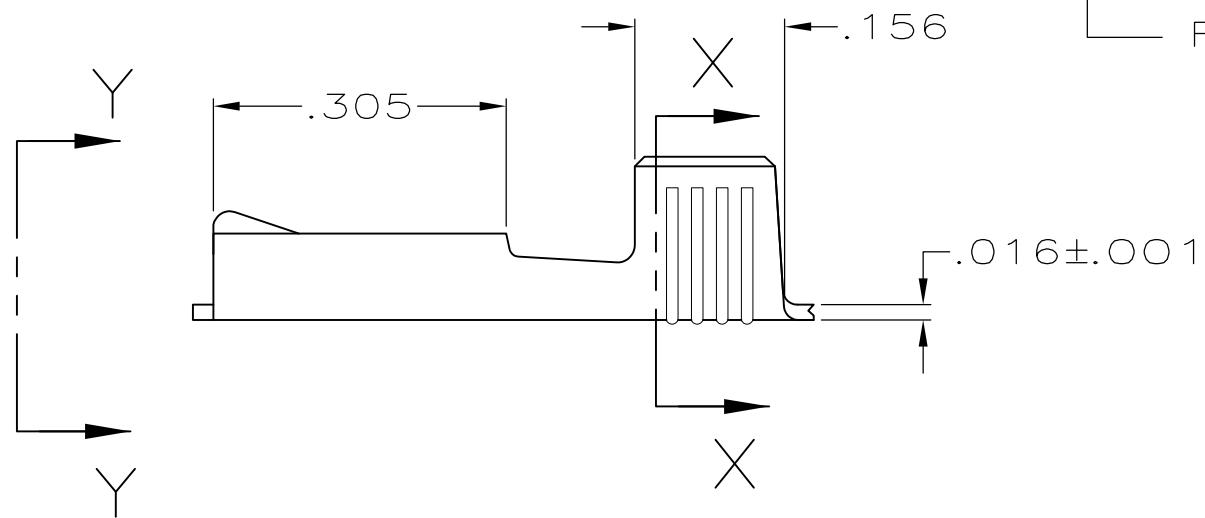
1 CONTINUOUS STRIP ON REELS




FITS .250 SERIES FASTON TAB

VIEW Y-Y SCALE 8:1

SECTION X-X SCALE 8:1



TIN	18-14	.032	42845-2
-			42845-1
FINISH	WIRE SIZE	MATING TAB THK ±.001	PART NO

THIS DRAWING IS A CONTROLLED DOCUMENT.		DWN JR RUTH 5/9/90	 TE Connectivity RECEPTACLE, FASTON, .250 SERIES			
DIMENSIONS: INCHES		CHK MS FEHER 5/9/90				
TOLERANCES UNLESS OTHERWISE SPECIFIED:		APVD C MEYERS 5/9/90				
0 PLC ± - 1 PLC ± - 2 PLC ± - 3 PLC ± .015 4 PLC ± - ANGLES ± -		NAME				
MATERIAL BRASS		FINISH SEE TABLE	PRODUCT SPEC -	APPLICATION SPEC -		
		WEIGHT -	SIZE A3	CAGE CODE 00779	DRAWING NO C-42845	RESTRICTED TO -
		CUSTOMER DRAWING	SCALE 5:1	SHEET 1 OF 1	REV F	