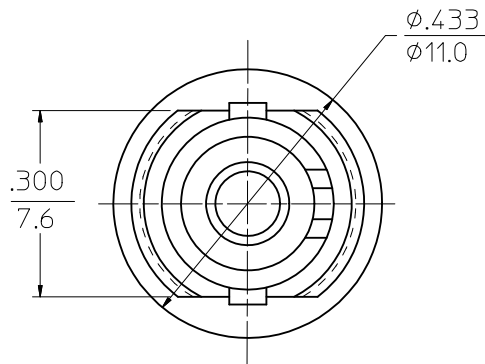
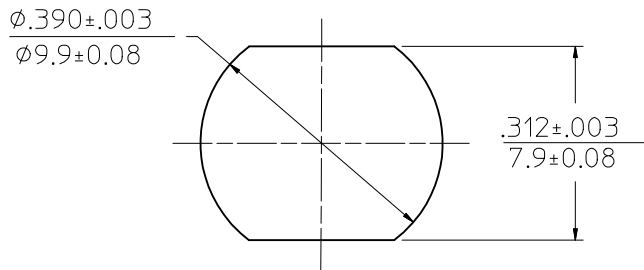


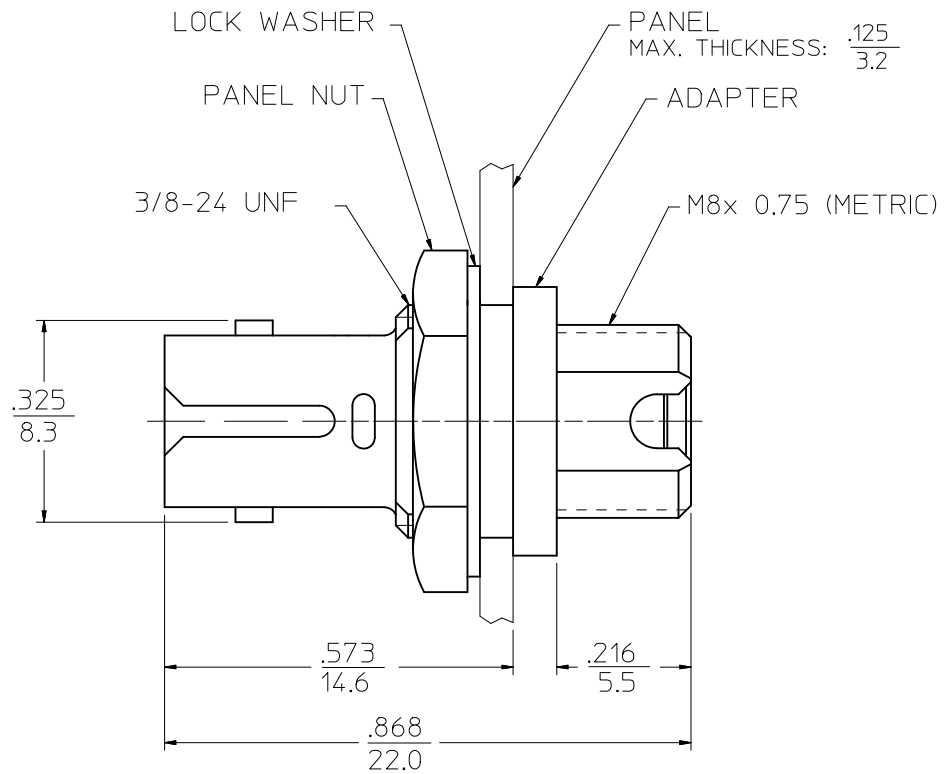
10 9 8 7 6 5 4 3 2 1



(WASHER AND PANEL NUT NOT SHOWN)



RECOMMENDED MOUNTING HOLE



<b>ENTER DESCRIPTION</b> EC NO: MF2006-0767 DRAWN: JIBAL TRUKONIS 2006/05/22 CHKD: 2006/05/22 APPR: IGUMIN 2006/05/24	QUALITY SYMBOLS ▽=0 ▽=0	GENERAL TOLERANCES (UNLESS SPECIFIED) mm INCH 4 PLACES ± --- ± --- 3 PLACES ± --- ± --- 2 PLACES ± --- ± --- 1 PLACE ± --- ± --- ANGULAR ±1/2°	DIMENSION STYLE IN/MM DRAWN BY DATE PGIBLIN 2005/10/18 CHECKED BY DATE APPROVED BY DATE	SCALE 5:1 DESIGN UNITS INCH THIRD ANGLE PROJECTION	TITLE ST-FC TYPE ADAPTER	
	MATERIAL NO. 1061720000	DOCUMENT NO. SD-106172-0000	SHEET NO. 1 OF 01	MOLEX INCORPORATED		
	DRAFT WHERE APPLICABLE MUST REMAIN WITHIN DIMENSIONS			THIS DRAWING CONTAINS INFORMATION THAT IS PROPRIETARY TO MOLEX INCORPORATED AND SHOULD NOT BE USED WITHOUT WRITTEN PERMISSION		
	REV B	DESCRIPTION				

9 8 7 6 5 4 3 2 1