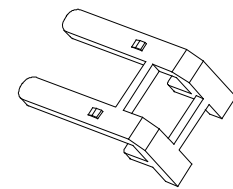


REVISIONS				
SYM	ZONE	DESCRIPTION	DATE	APPRD.
B		PROPOSAL	OCT 28/08	L.CHAN
C		UPDATE DRAWING	SEP 27/16	L.CHAN



LIGHT PIPE RJ SSE-2485-01

LIGHT PIPE PART NUMBER RJ SSE248501 MUST BE ORDERED SEPARATELY



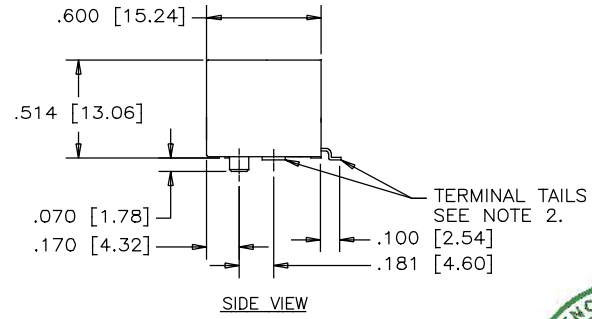
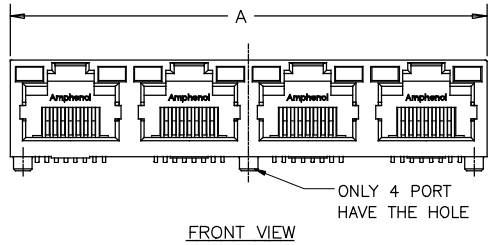
NOTE:
 1. MATERIALS:
 HOUSING: HIGH TEMPERATURE THERMOPLASTIC
 FLAMMABILITY RATING UL 94V-0
 COLOR: BLACK

CONTACTS: PHOSPHOR BRONZE
 PLATING: 20 μ" [0.51 MICRONS]
 MIN. GOLD ON MATING SURFACES.
 50 μ" [1.27 MICRONS]
 MIN. NICKEL UNDERPLATE.
 100 μ" [2.54 MICRONS]
 MIN. TIN ON CONTACT TAILS.

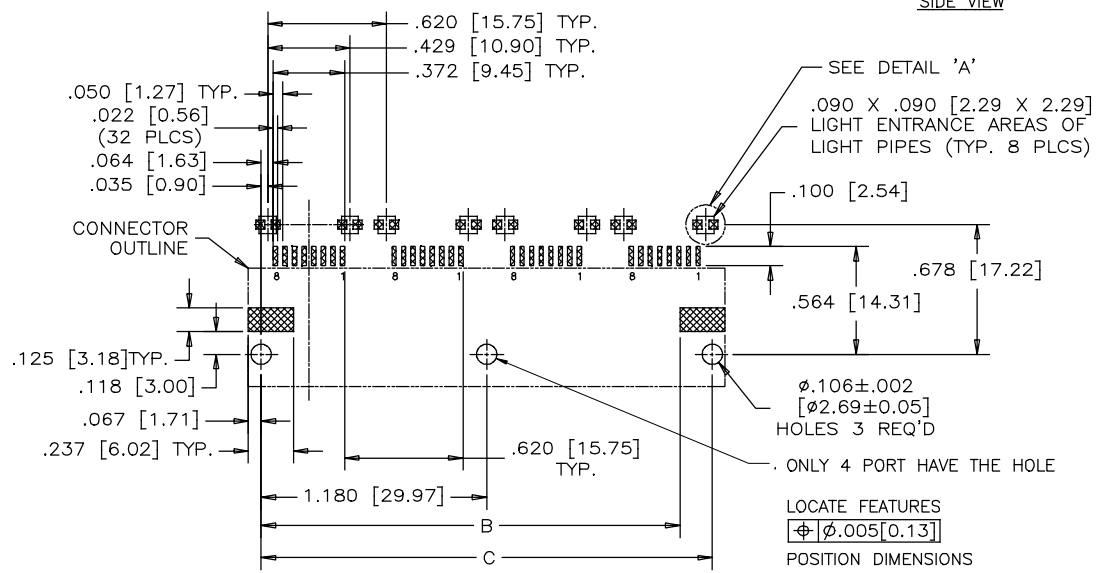
2. COPLANARITY SPECIFICATION:
 WITH THE MODULAR JACK SITTING ON A LEVEL SURFACE,
 THE MAXIMUM GAP BETWEEN BOTH FITTING NAILS AND ALL
 TERMINAL TAILS IS .004 [0.10].

AMPHENOL PART NUMBER: RJ SSE-5082-XX-T

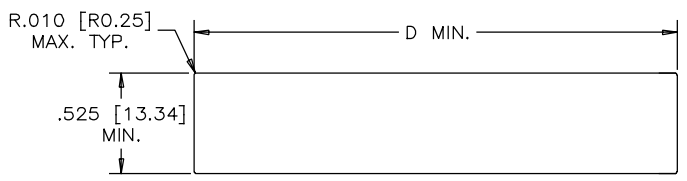
PORT NUMBER
 BLANK-1 PORT
 02-2 PORT
 04-4 PORT



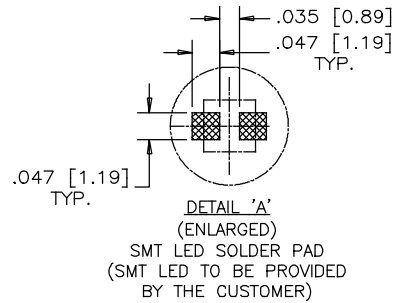
SIDE VIEW



RECOMMENDED P.C.B. LAYOUT
 (COMPONENT SIDE OF BOARD)
 TYPICALLY TOLERANCE : ±.004 [0.10]



RECOMMENDED PANEL CUTOUT



NUMBER OF PORT	DIM A	DIM B	DIM C	DIM D
1 PORT	.634 [16.11]	.330 [8.38]	.500 [12.70]	.649 [16.49]
2 PORT	1.254 [31.85]	.780 [19.81]	1.120 [28.45]	1.269 [32.24]
4 PORT	2.494 [63.35]	2.190 [55.64]	2.360 [59.94]	2.509 [63.73]

DRAWN	J.OUYANG	DATE	SEPT 22/08
DESIGNED	MT.CHAN		SEPT 22/08
CHECKED	L.CHAN		SEPT 22/08
I. E. APPRD.			
Q. A. APPRD.			
DWG. APPRD.			

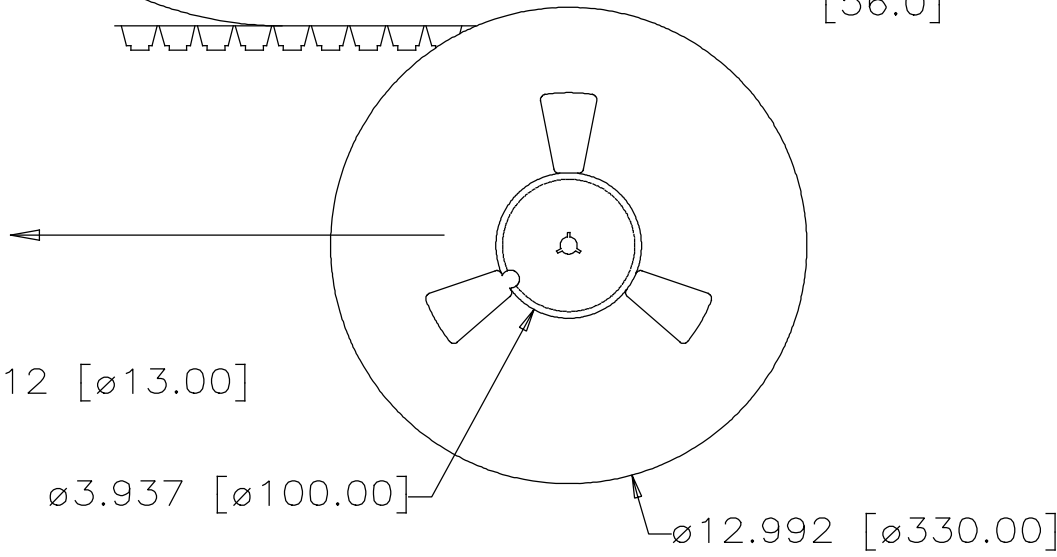
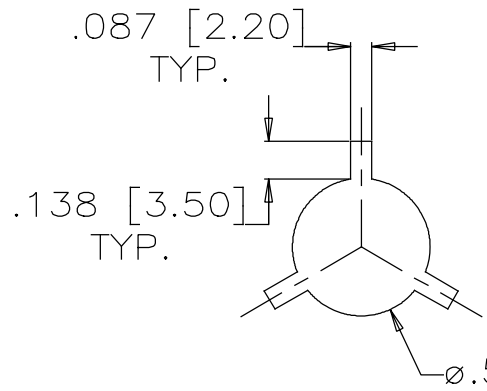
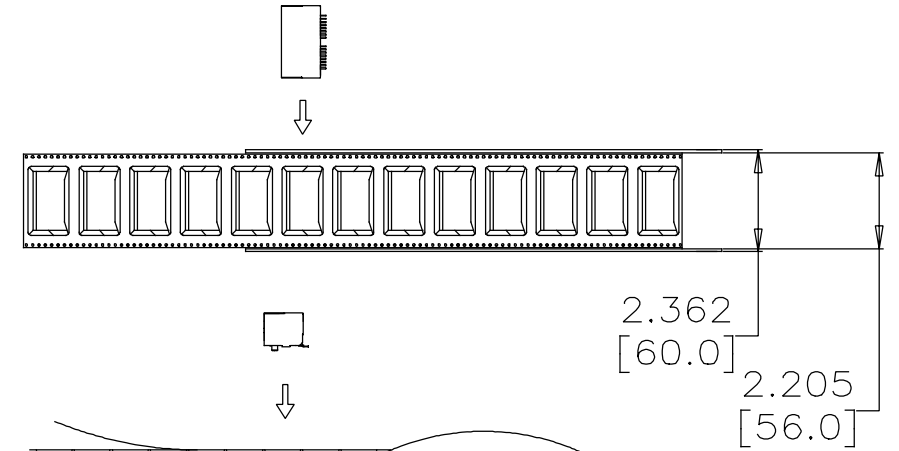
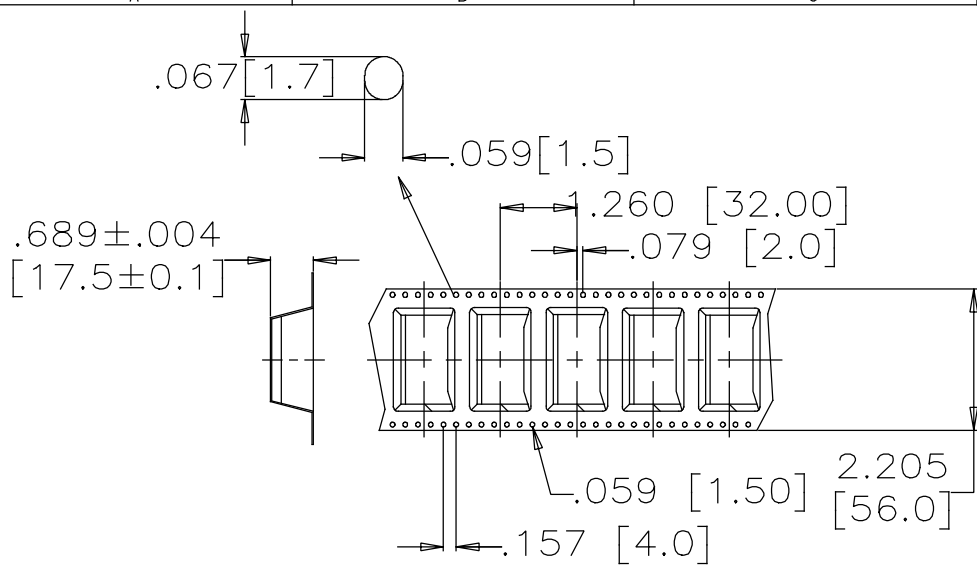
Amphenol Canada Corp.

TITLE SURFACE MOUNT JACK, 8 POSITION,
 8 CONTACTS, UNSHIELD, WITH LIGHT PIPES HOLE,
 LIGHT PIPE ORDERED SEPARATELY- RoHS COMPLIANT

ENG. REL. NO.		DWG	C	DRAWING NO.	P-RJSSE-5082-XXT	REV.	C
REF.	EAR #13336						
DIMENSIONS ARE IN	CODE ID. NO.						
INCHES [mm]	03554	SCALE	2:1	WT.		SURF.	

THIS DOCUMENT CONTAINS PROPRIETARY INFORMATION AND SUCH INFORMATION MAY NOT BE DISCLOSED TO OTHERS FOR ANY PURPOSE OR USED FOR MANUFACTURING PURPOSES WITHOUT WRITTEN PERMISSION FROM AMPHENOL CANADA CORP.

REVISIONS				
SYM	ZONE	ECN, ERN NO.	DATE	APPRD.
B		PROPOSAL	OCT28/08	LCHAN
C		UPDATE DRAWING	SEP27/16	LCHAN



PACKAGING NOTES:

- ONE REEL SHOULD HOLD 100 CONNECTORS.
- 10 EMPTY CAVITIES FOR BOTH TOP AND BOTTOM OF THE CARRIER.
- A FULLY LOADED CARTON SHOULD CONTAIN 5 REELS (500 PCS) OF CONNECTOR.

DRAWN	J.OUYANG	DATE	SEPT 22/08
DESIGNED	MT.CHAN	DATE	SEPT 22/08
CHECKED	L.CHAN	DATE	SEPT 22/08
I. E. APPRD.			
Q. A. APPRD.			
DWG. APPRD.			
ENG. REL. NO.			
REF.			
DIMENSIONS ARE IN	CODE ID. NO.		
INCHES [mm]	03554		

Amphenol Canada Corp.			
TITLE 2 PORTS SURFACE MOUNT JACK, UNSHIELDED, WITH HOLD DOWN BRACKET, 8 POSITION & 8 CONTACTS T&R PACKAGE DRAWING-RoHS COMPLIANT			
DWG	DRAWING NO.	REV.	
C	P-RJSSE-5082-02T	C	
SCALE	WT. -----	SURF. -----	SHEET 2 OF 2

THIS DOCUMENT CONTAINS PROPRIETARY INFORMATION AND SUCH INFORMATION MAY NOT BE DISCLOSED TO OTHERS FOR ANY PURPOSE OR USED FOR MANUFACTURING PURPOSES WITHOUT WRITTEN PERMISSION FROM AMPHENOL CANADA CORP.