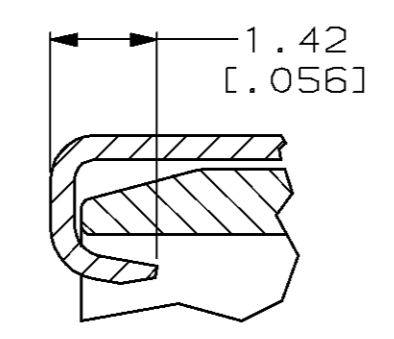
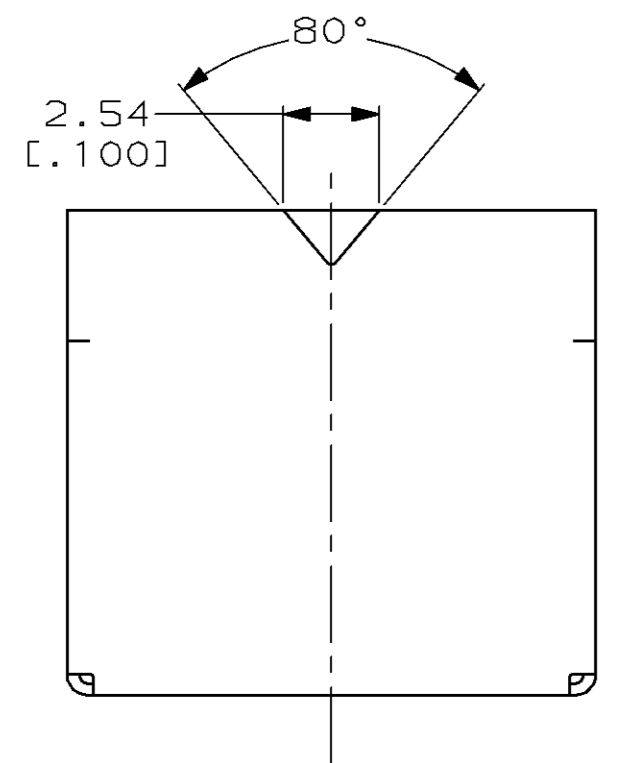
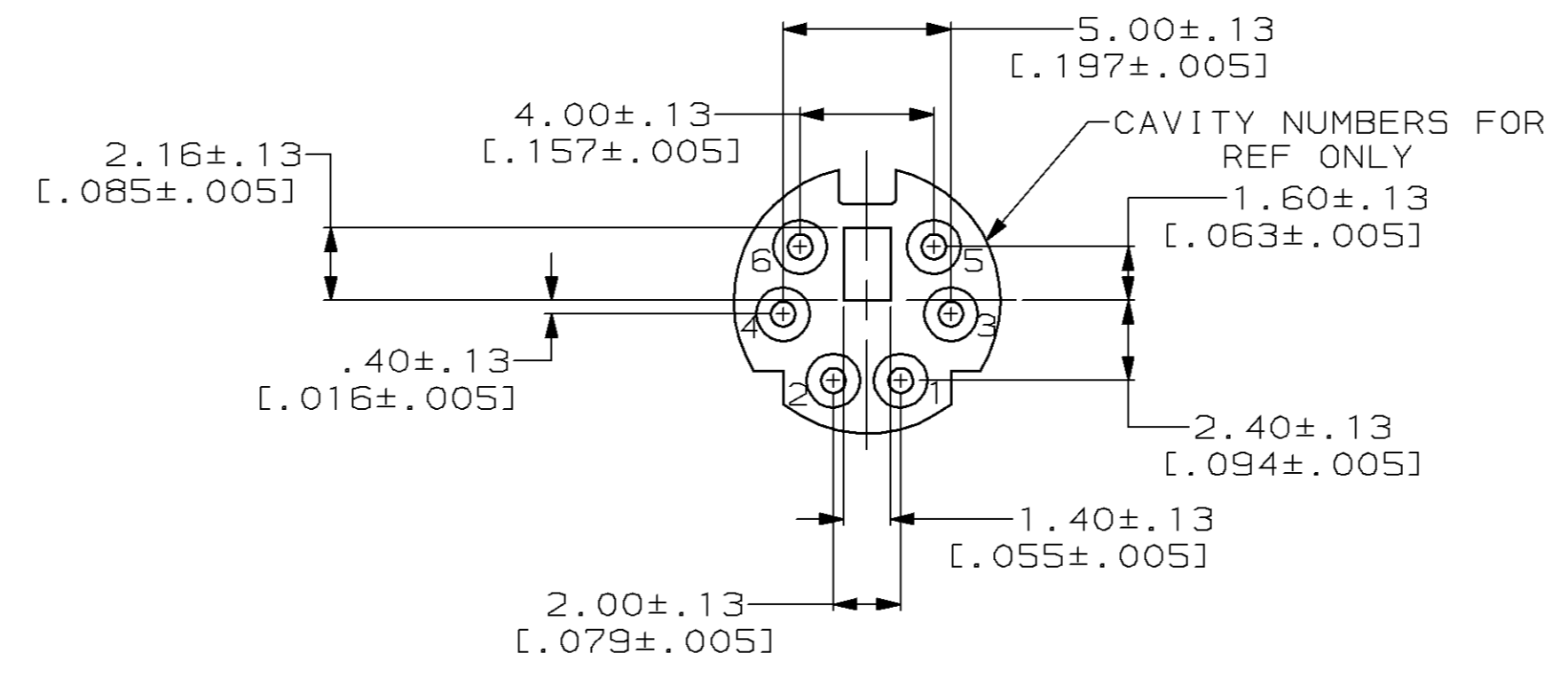


LOC	DIST	P	F	ZONE	LTR	REVISIONS			
						DESCRIPTION	DATE	APPD	
	BD	26				O	RLSE NPR 2275 WAS 88-4837-19	01/05/89	-
						A	REVISED ECN-BD2959	05/09/89	RW
						B	REVISED ECN BD3043	06/20/88	-
						C	REV PER EC 0020-824-95	12 OCT 95	JH
						D	REV PER EC 0410-95-96	03 MAR 97	JGH
						E	REV PER EC 0410-281-97	28 SEP 97	JGH
						F	REV PER EC 0410-410-97	05 FEB 98	JGH

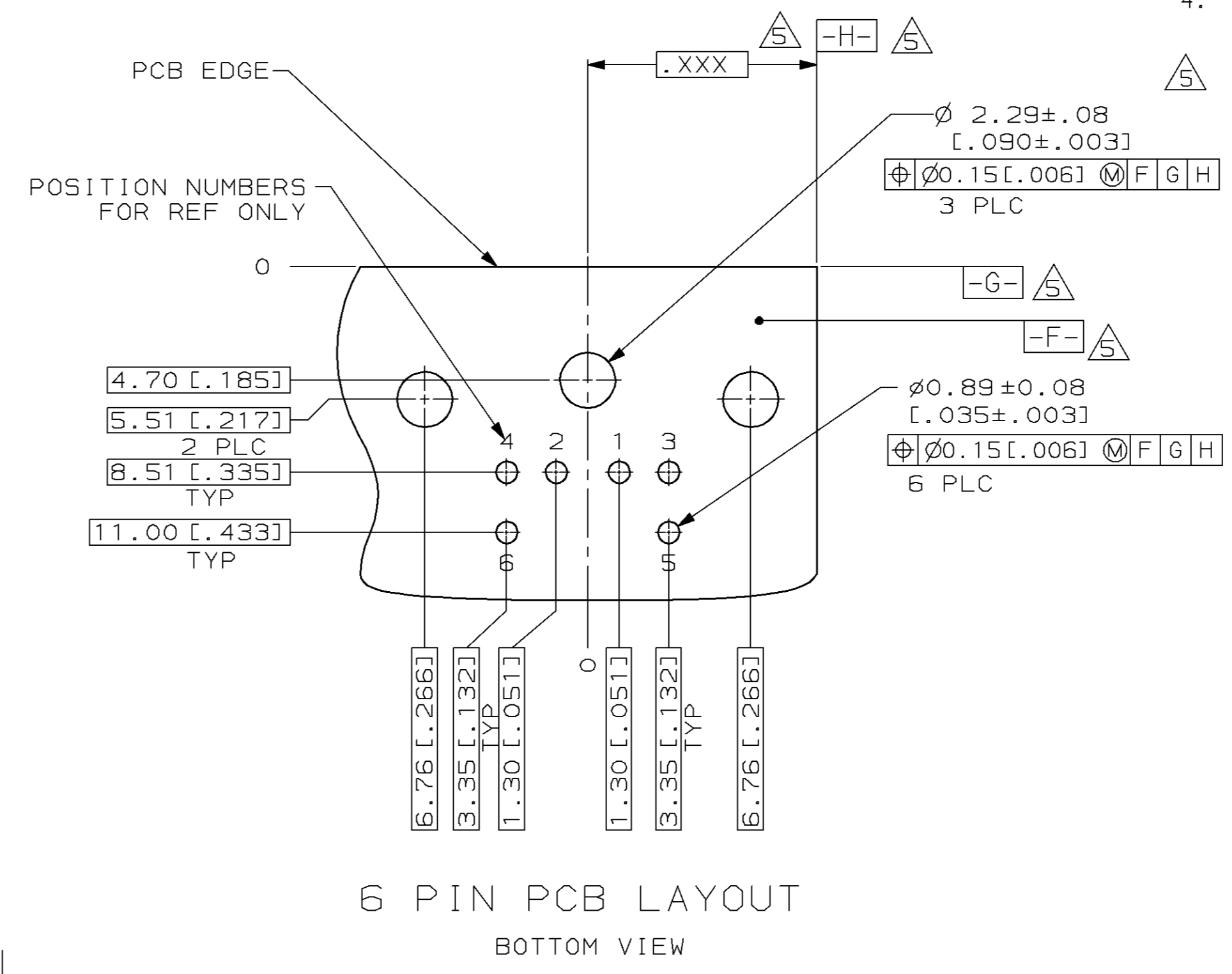
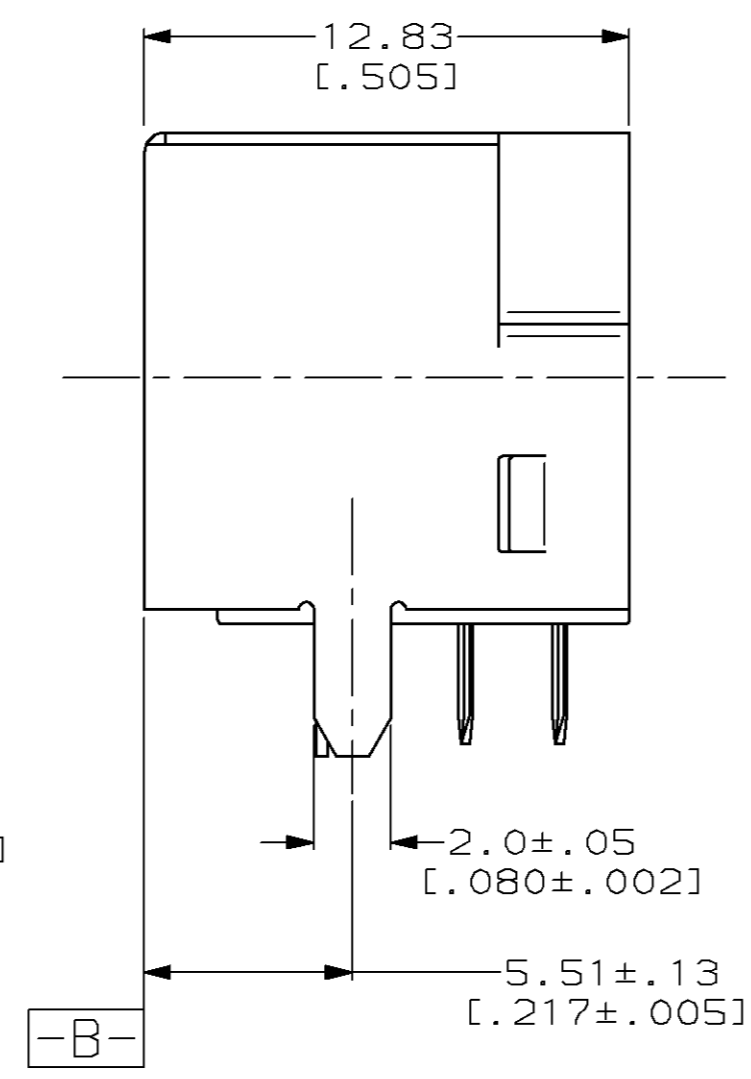
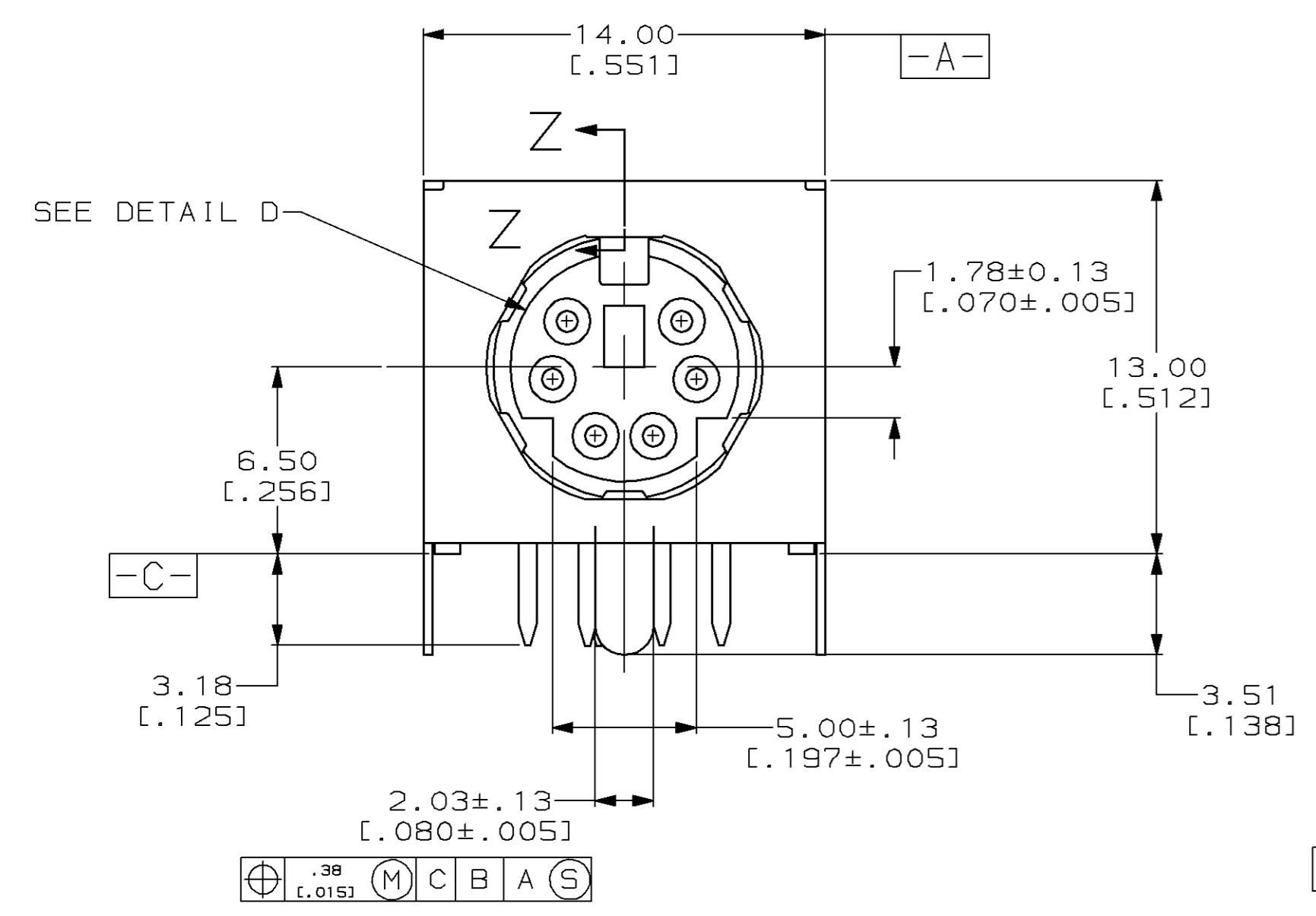


SECTION Z-Z
SCALE 10:1

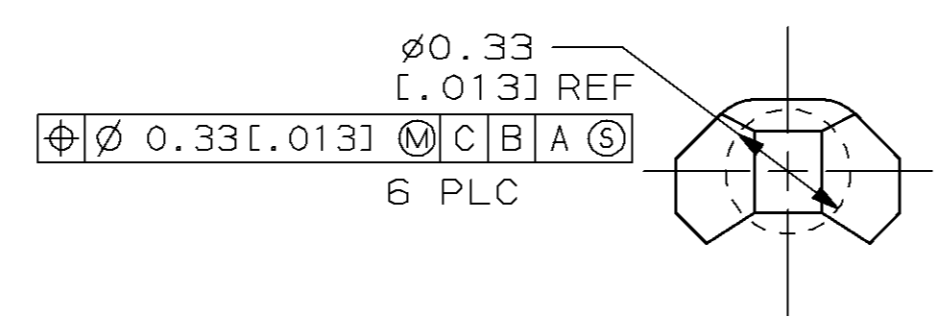
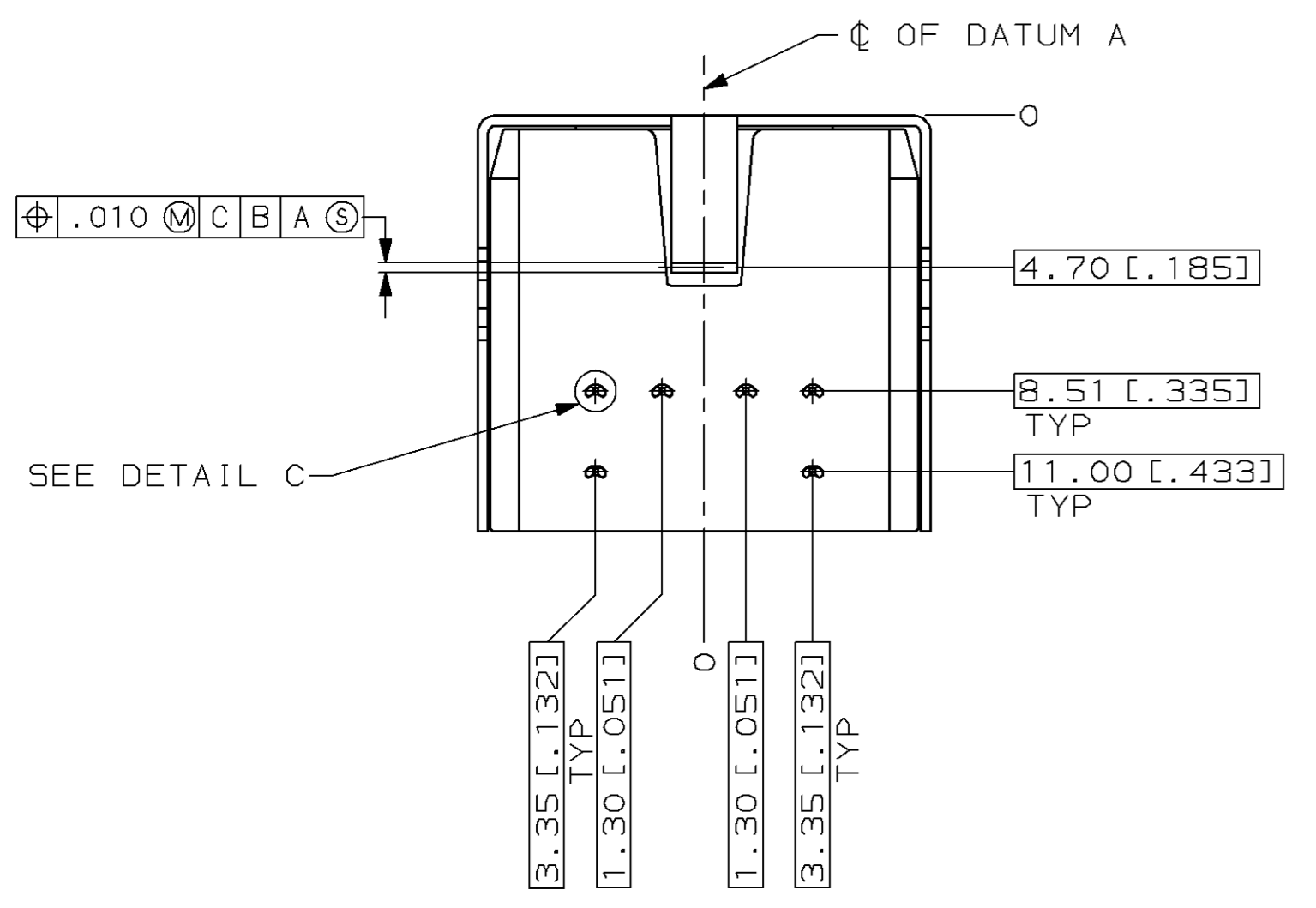


DETAIL D
6 PIN FACE

- 1 RECEPTACLE CONTACTS: COPPER ALLOY.
RECEPTACLE SHIELD: COPPER ALLOY.
HOUSING: THERMOPLASTIC, BLACK, 94V-0 RATED.
- 2 PLATING:
RECEPTACLE CONTACTS - GOLD PLATED .00076 MIN [.000030 MIN] THICK ON MATING END, TIN-LEAD PLATED .0030 MIN [.000120 MIN] THICK ON SOLDER TAIL ALL OVER .0013 MIN [.000050 MIN] THICK NICKEL.
- 3 PLATING:
SHIELD: 1.50-4.00µm [.000059-.000158] THICK BRIGHT TIN.
- 4. RECEPTACLE ASSEMBLY MATES WITH 6 PIN 9.00±.10 [.354±.004] DIAMETER PLUG.
- 5 DATUMS AND BASIC DIMENSION SUPPLIED BY CUSTOMER.



6 PIN PCB LAYOUT
BOTTOM VIEW



DETAIL C
SCALE 50:1

DO NOT SCALE PRINT. UNLESS SPECIFIED DIMENSIONS IN mm [INCHES] TOLERANCES ON:		DR 1-24-89 P. COSMOS		749266-1 PART NO	
3 PLC DEC ± 0.381 [.015] ANGLES ± 0°30'		CHK 1-24-89 C.OHL		AMP INCORPORATED Harrisburg, Pa. 17105 NAME RECEPTACLE ASSY, 6 POS, RIGHT ANGLE, MINIATURE CIRCULAR DIN	
MATERIAL		APPD 1-24-89 B.H.MOSSER			
FINISH		APPD 1-24-89 E.C.MYERS			
WEIGHT		PRODUCT SPEC 108-1225		DRAWING NO 749266	
		APPLICATION SPEC		SCALE 5:1	
		SIZE D		FSCM NO 00779	
				SHEET 1 OF 1	