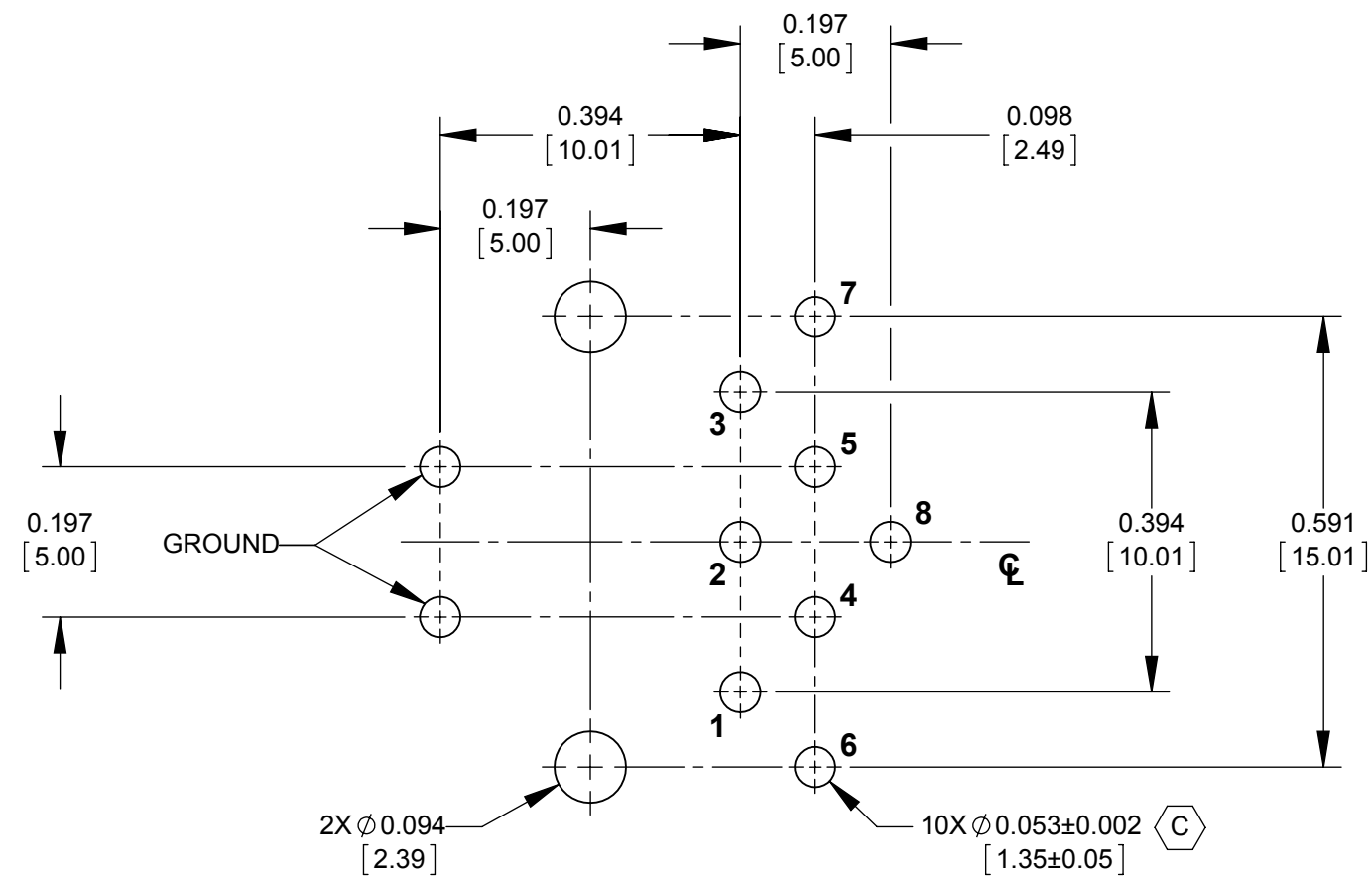
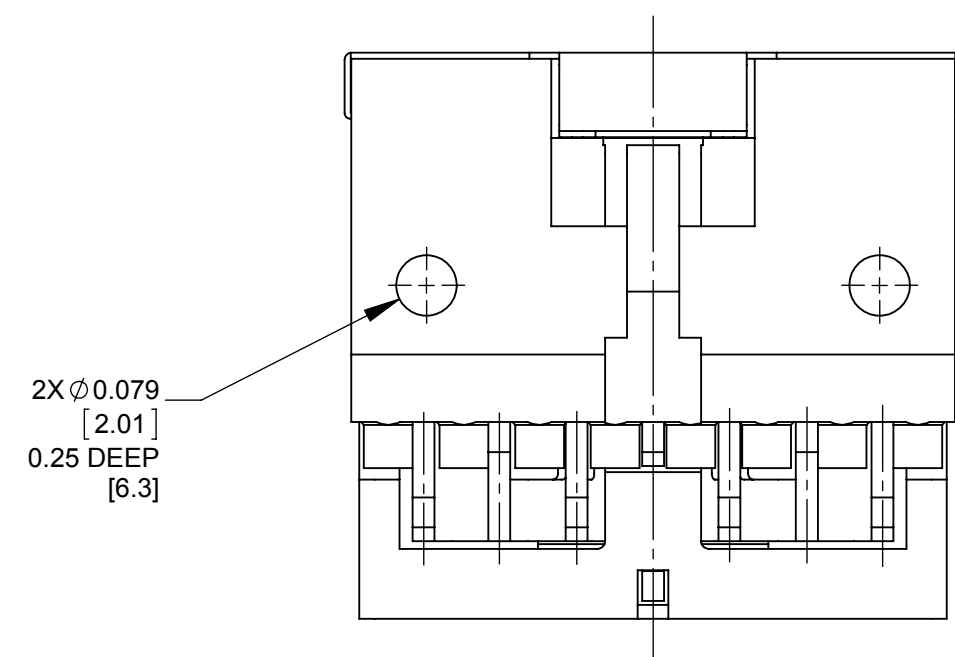
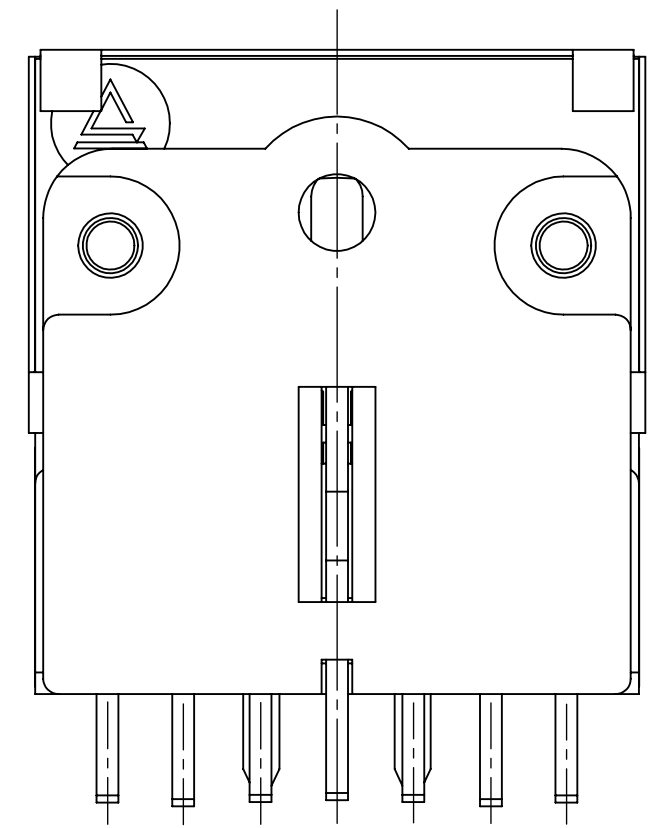
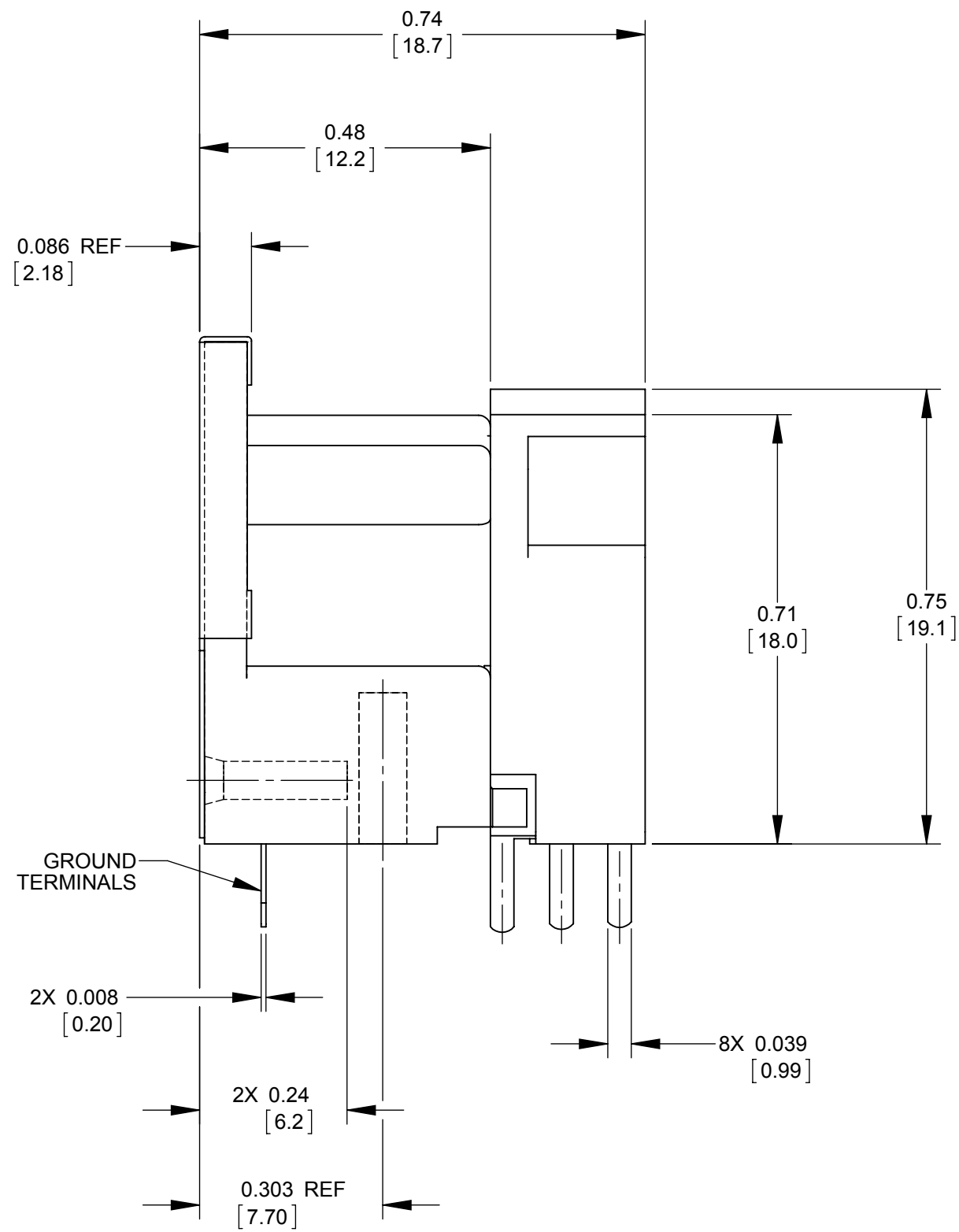
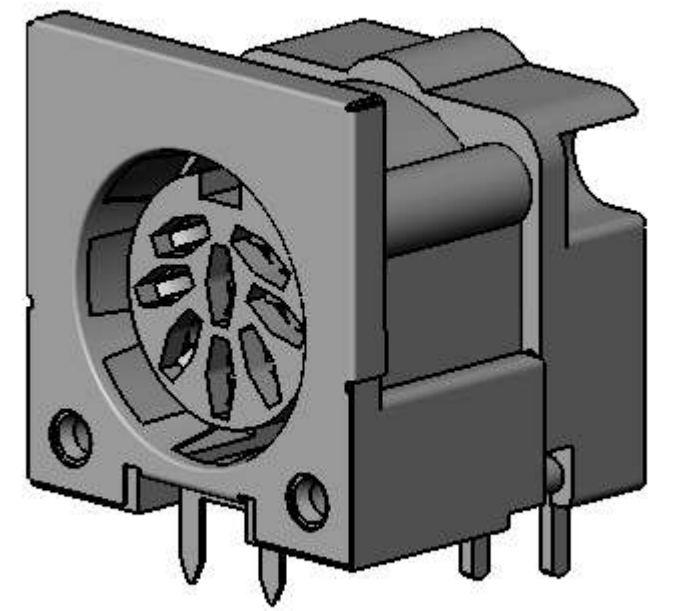


PIN NUMBERS FOR REFERENCE ONLY THEY DO NOT APPEAR ON THE PART



RECOMMENDED PC BOARD LAYOUT
COMPONENT SIDE



- NOTES:
- MATERIALS:
HOUSING - THERMOPLASTIC, BLACK.
PC TERMINALS - COPPER ALLOY, TIN PLATED.
GROUND PLATE - SPECIAL COPPER ALLOY, TIN PLATED.
COVER - THERMOPLASTIC, BLACK.
 - MATES WITH PLUG
Ø 0.520±0.008 [13.21 ±0.20]
Ø 0.536±0.004 [13.61 ±0.10]
 - THIS PRODUCT IS RoHS COMPLIANT.

CUSTOMER DRAWING

UNLESS OTHERWISE SPECIFIED				THIS DRAWING DESCRIBES A DESIGN CONSIDERED PROPRIETARY IN NATURE, DEVELOPED AND MANUFACTURED BY SWITCHCRAFT INC. AND IS RELEASED ON A CONFIDENTIAL BASIS FOR IDENTIFICATION PURPOSES ONLY.				
1. ALL DIMENSIONS IN INCHES [mm]				SIZE	WIDTH	MULT	LBS/M	TEMPER
- TWO PLACE DECIMALS ±0.02 [0.5]				FINISH		MATERIAL		
- THREE PLACE DECIMALS ±0.005 [0.13]				SPEC No.		SPEC No.		
C				FIRST USED ON		SCALE		
CAD REDRAW NO				DATE DRAWN		BY		CHKD
CHANGE - ECO #27408				01/04/83		RB		TS
11/17/14						01/06/83		APVD
PC						01/06/83		RV
TJK								
REV				ECO NUMBER		DATE		BY
APVD								
REVISIONS				NAME RIGHT ANGLE SHIELDED PC FEMALE DIN RECEPTACLE, RoHS				
DO NOT SCALE DRAWING				PART No. 62PC8FS				
SolidWorks CAD File				SHEET 1 OF 1				
				REV C				