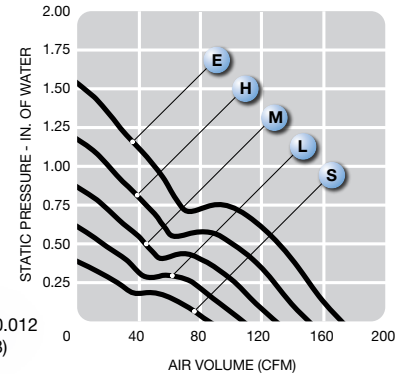
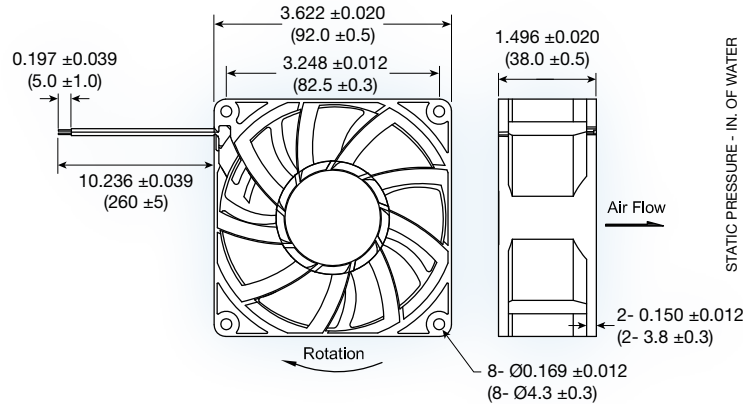


MR9238 series



(92 x 92 x 38mm)

3.62 x 3.62 x 1.49 inches

Features: soft start, polarity protection, auto-restart

Operating Voltage: 12, 24 or 48 VDC

Construction: UL94V-0 plastic impeller and frame

Bearing option: ball bearing or sleeve

Air Flow: air exhaust over struts

Options: tachometer output or locked rotor alarm signal; PWM speed control

| Model No. | Rated Voltage VDC | Current A | | | Speed RPM | Air Volume | | Max. Static Pressure (H ₂ O) | | Sound Noise dbA | Weight g |
|-----------|-------------------|-----------|------|------|-----------|----------------------|-----|---|------|-----------------|----------|
| | | 12 | 24 | 48 | | M ³ /Min. | CFM | MM | INCH | | |
| MR9238S | 12 | 0.42 | — | — | 4,000 | 2.47 | 88 | 10.05 | 0.40 | 45.3 | 198 |
| MR9238L | 12/24/48 | 0.82 | 0.41 | 0.20 | 5,000 | 3.08 | 109 | 15.55 | 0.61 | 50.5 | 198 |
| MR9238M | 12/24/48 | 1.16 | 0.58 | 0.26 | 6,000 | 3.68 | 131 | 22.24 | 0.88 | 55.4 | 198 |
| MR9238H | 12/24/48 | 1.60 | 0.80 | 0.40 | 7,000 | 4.29 | 152 | 30.13 | 1.19 | 58.8 | 198 |
| MR9238E | 12/24/48 | 2.30 | 1.15 | 0.58 | 8,000 | 4.89 | 173 | 39.22 | 1.54 | 63.3 | 198 |