

# Customer Information Sheet

DRAWING No.: KF-470XXXX

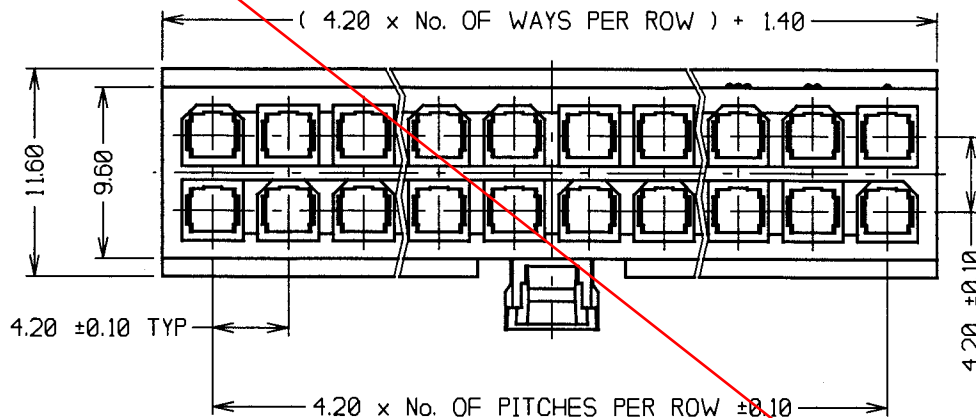
SHEET 2 OF 2 IF IN DOUBT - ASK

©

NOT TO SCALE

THIRD ANGLE PROJECTION

ALL DIMENSIONS IN mm



**SPECIFICATIONS:**

**MATERIALS:**

**MOULDINGS:**

KF-470XX98 - NYLON 66 UL94V-2 BLACK  
 KF-470XX00 - NYLON 66 UL94V-2 NATURAL

**FINISH: CLEAN**

|                 |        |        |        |        |
|-----------------|--------|--------|--------|--------|
| No. OF CONTACTS | 2-3    | 4-6    | 7-10   | 11-24  |
| CURRENT RATING  | 9 AMPS | 8 AMPS | 7 AMPS | 6 AMPS |

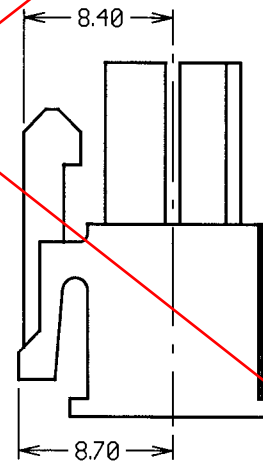
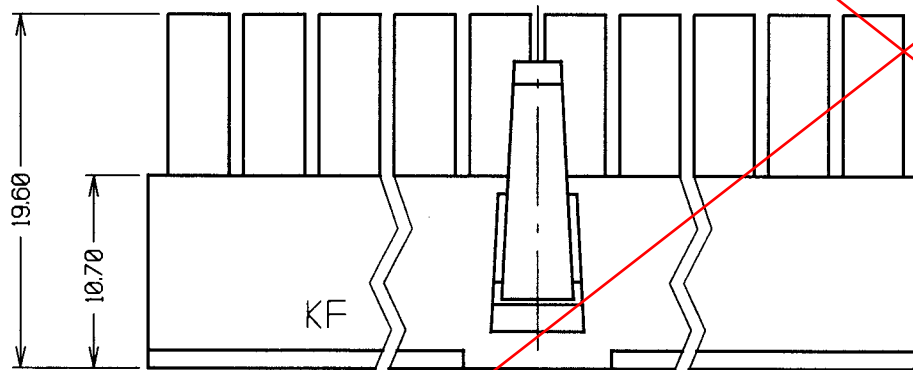
VOLTAGE RATING - 600V  
 DIELECTRIC WITHSTANDING - 1500V AC  
 CONTACT RESISTANCE - 10 MILLIOHMS MAX  
 INSULATION RESISTANCE - 1000 MEGOHMS MIN

**MECHANICAL:**

CONTACT INSERTION FORCE - 14.7N MAX  
 CONTACT RETENTION FORCE - 29.4N MIN  
 DURABILITY - 30 OPERATIONS

**ENVIRONMENTAL:**

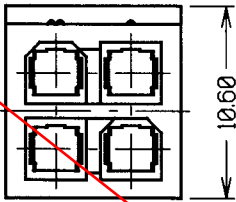
TEMPERATURE RANGE - -40°C TO +105°C  
 FOR COMPONENT SPECIFICATION, SEE COMPONENT SPECIFICATION C033XX (LATEST ISSUE).



**ORDER CODE:**  
 KF-470XXXX

No. OF WAYS PER ROW

**COLOUR:** \_\_\_\_\_  
 98 = BLACK  
 00 = NATURAL



|                |                    |        |
|----------------|--------------------|--------|
| 5              | 29.10.00           | 5544   |
| ISS.           | DATE               | C/NOTE |
| APPROVED:      | <i>[Signature]</i> |        |
| CHECKED:       | <i>[Signature]</i> |        |
| DRAWN:         | J. KEIR            |        |
| CUSTOMER REF.: |                    |        |
| ASSEMBLY DRG.: |                    |        |

**NOTES:**

1. ALL TOLERANCES TO BE ±0.35 UNLESS OTHERWISE STATED.
2. FOR USE WITH REELED FEMALE CRIMPS KF-460/461/4620006 AND LOOSE FEMALE CRIMPS KF-465/466/4670006. SPECIFICATIONS STATED ABOVE APPLY WHEN HOUSING IS USED WITH THESE CONTACTS.

**OBSOLETE**

KF-47001XX AND  
 KF-47002XX:  
 NO LATCHING  
 FEATURE

**HARWIN**

|  |   |   |
|--|---|---|
| HARWIN INC<br>U.S.A.<br>TEL: (812) 285 0055<br>FAX: (812) 285 0056 | HARWIN PLC<br>UK.<br>TEL: 023 9231 4545<br>FAX: 023 9231 4590 | HARWIN PTE<br>SINGAPORE<br>TEL: 65 7794909<br>FAX: 65 7793868 |
|--|---|---|

THIS DRAWING AND ANY INFORMATION OR DESCRIPTIVE MATTER SET OUT HEREON ARE CONFIDENTIAL AND COPYRIGHT PROPERTY OF THE HARWIN GROUP AND MUST NOT BE DISCLOSED, LOANED, COPIED OR USED FOR MANUFACTURING, TENDERING OR FOR ANY OTHER PURPOSE WITHOUT THEIR WRITTEN PERMISSION

**TOLERANCES**  
 X. - ±1mm  
 X.X - ±0.25mm  
 X.XX - ±0.10mm  
 X.XXX - ±0.01mm  
 ANGLES - ±1°  
 UNLESS STATED

**MATERIAL:**  
 SEE ABOVE

**FINISH:** CLEAN

**S/AREA:** mm<sup>2</sup>

**TITLE:** POWERFIT®  
 4.2mm PITCH DIL FEMALE  
 LATCHED CRIMP HOUSING

**DRAWING NUMBER:** KF-470XXXX

**SHT** 2 OF 2

# Customer Information Sheet

DRAWING No.: KF-470XX00

SHEET 2 OF 2

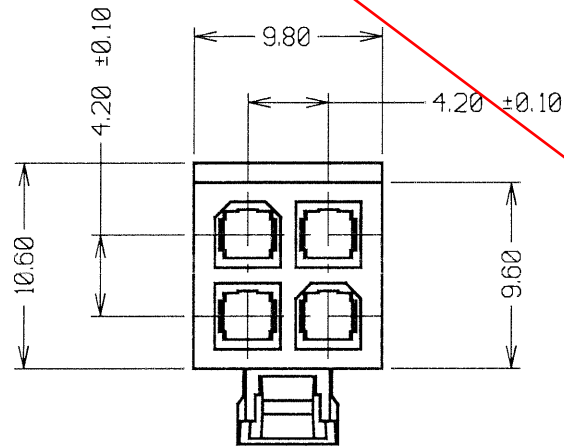
IF IN DOUBT - ASK

(C)

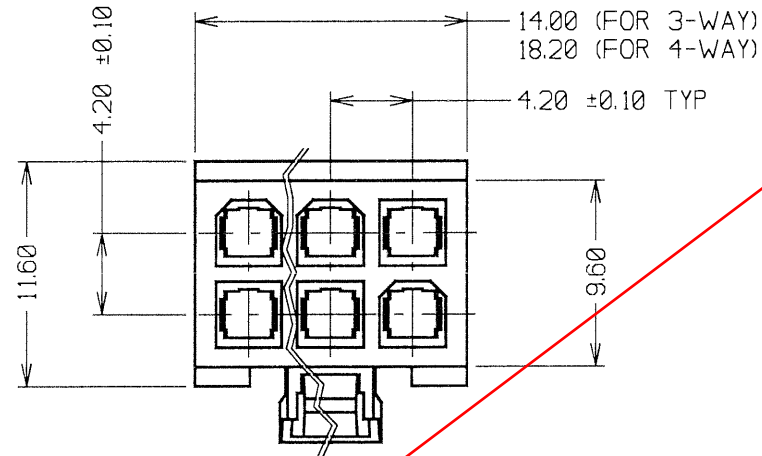
NOT TO SCALE

THIRD ANGLE PROJECTION

ALL DIMENSIONS IN mm

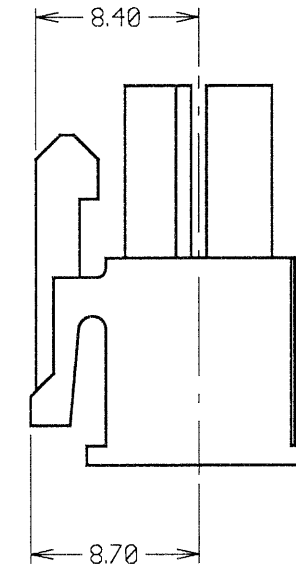
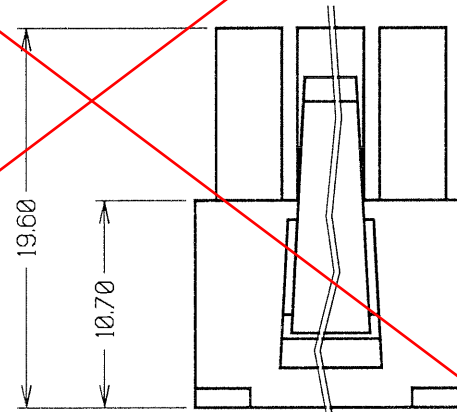
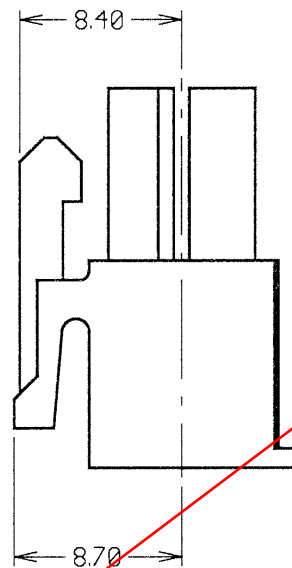
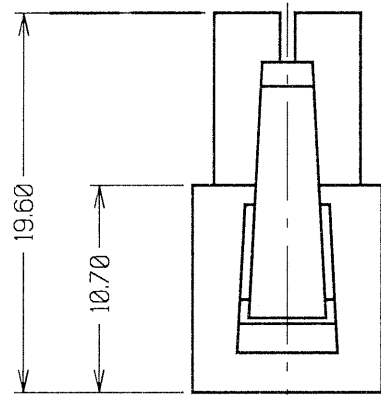


KF-4700200



KF-4700300 & KF-4700400

**OBSOLETE**



**SPECIFICATIONS:**

**MATERIALS:**  
 Moulding = NYLON 66, UL94V-2, NATURAL

**ELECTRICAL:**  
 CURRENT RATING = 8 AMPS  
 VOLTAGE RATING = 600V  
 DIELECTRIC WITHSTANDING = 1500V AC  
 CONTACT RESISTANCE = 10 MILLIOHMS MAX  
 INSULATION RESISTANCE = 1000 MEGOHMS MIN

**MECHANICAL:**  
 CONTACT INSERTION FORCE = 14.7N MAX  
 CONTACT RETENTION FORCE = 29.4N MIN  
 DURABILITY = 30 OPERATIONS

**ENVIRONMENTAL:**  
 TEMPERATURE RANGE = -40°C TO +105°C  
 FOR COMPONENT SPECIFICATION SEE COMPONENT SPECIFICATION C033XX (LATEST ISSUE).

**NOTES:**

- ALL TOLERANCES TO BE ±0.35 UNLESS OTHERWISE STATED.
- FOR USE WITH REELED FEMALE CRIMPS KF-4600046 & LOOSE FEMALE CRIMPS KF-4660046. SPECIFICATIONS STATED TO THE LEFT APPLY WHEN HOUSING IS USED WITH THESE CONTACTS.

ORDER CODE:  
**KF-470XX00**

No. OF WAYS PER ROW:  
 02, 03 & 04

COLOUR:  
 00 = NATURAL

| JMB                   | 6    | 28.06.06 | 9302   |
|-----------------------|------|----------|--------|
| NAME                  | ISS. | DATE     | C/NOTE |
| APPROVED: <i>J.B.</i> |      |          |        |
| CHECKED: <i>M.P.</i>  |      |          |        |
| DRAWN: J. KEIR        |      |          |        |
| CUSTOMER REF.:        |      |          |        |
| ASSEMBLY DRG:         |      |          |        |

|  |  |  |   |   |  |  |
|--|--|--|---|---|--|--|
| <b>HARWIN</b>  |  |  | THIS DRAWING AND ANY INFORMATION OR DESCRIPTIVE MATTER SET OUT HEREON ARE CONFIDENTIAL AND COPYRIGHT PROPERTY OF THE HARWIN GROUP AND MUST NOT BE DISCLOSED, LOANED, COPIED OR USED FOR MANUFACTURING, TENDERING OR FOR ANY OTHER PURPOSE WITHOUT THEIR WRITTEN PERMISSION. | <b>TOLERANCES</b><br>X. = ±1mm<br>X.X = ±0.25mm<br>X.XX = ±0.10mm<br>X.XXX = ±0.01mm<br>ANGLES = ±5°<br>UNLESS STATED | <b>MATERIAL:</b><br>NYLON 66, UL94V-2, NATURAL | <b>TITLE:</b><br>POWERFIT®<br>4.2mm PITCH DIL FEMALE LATCHED CRIMP HOUSING |
| HARWIN USA<br>TEL: 603 893 5376<br>FAX: 603 893 5396<br>mis@harwin.com | HARWIN Europe (UK)<br>TEL: 023 9231 4545<br>FAX: 023 9231 4590<br>mis@harwin.co.uk | HARWIN Asia<br>TEL: +65 6 779 4909<br>FAX: +65 6 779 3868<br>mis@harwin.com.sg |   |   | <b>FINISH:</b><br>CLEAN                        | <b>DRAWING NUMBER:</b><br>KF-470XX00                                       |