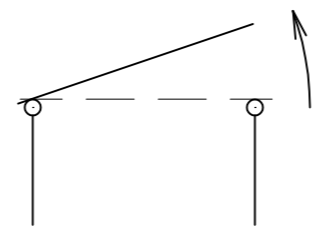


THIS DRAWING IS UNPUBLISHED. RELEASED FOR PUBLICATION
 © COPYRIGHT - By - ALL RIGHTS RESERVED.

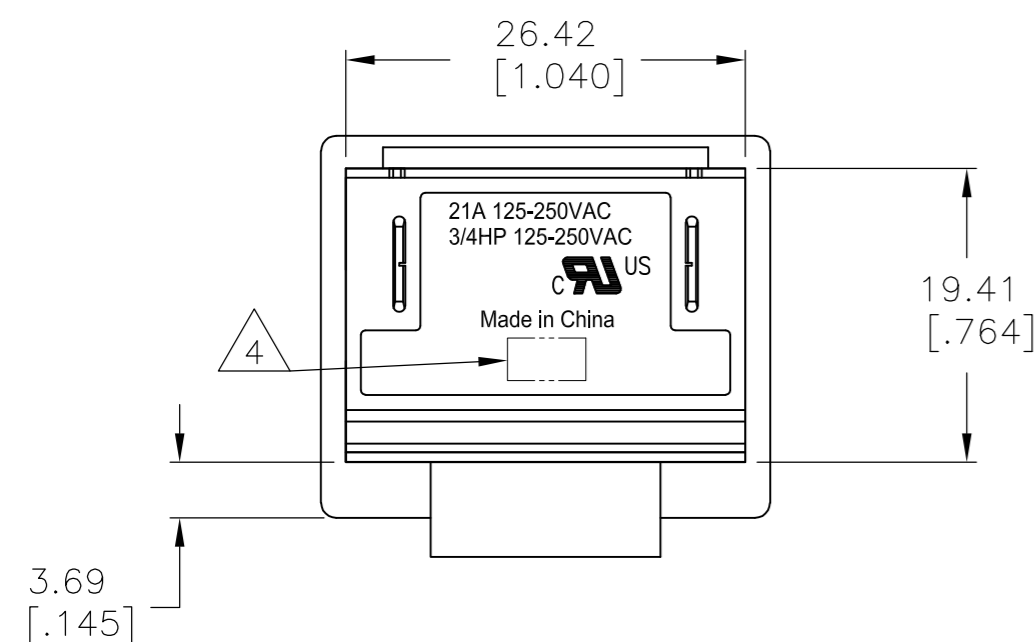
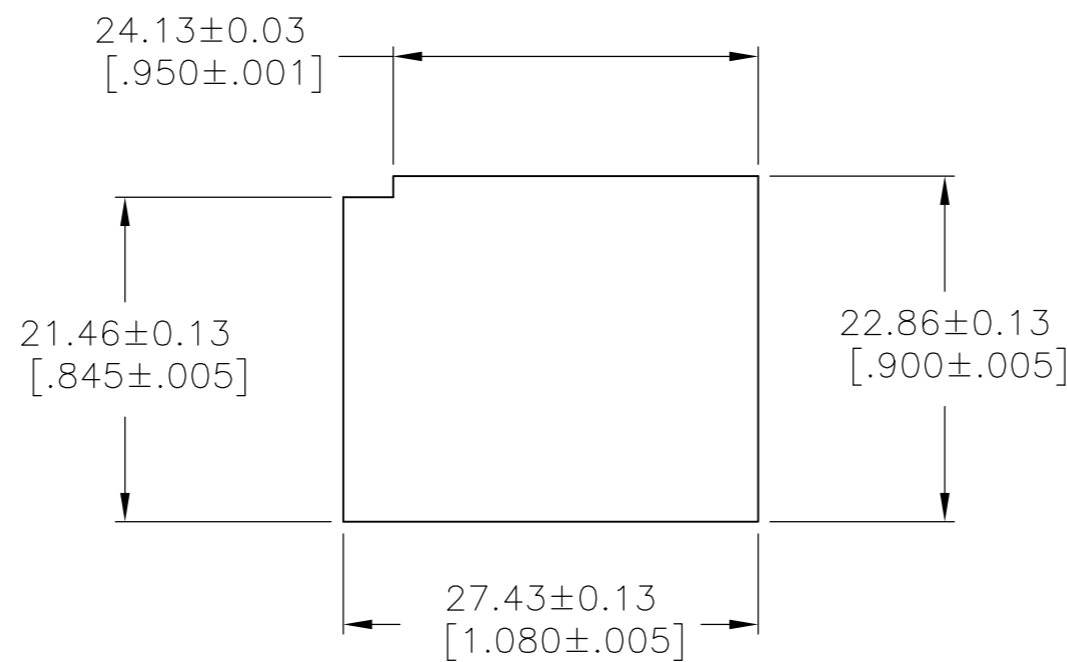
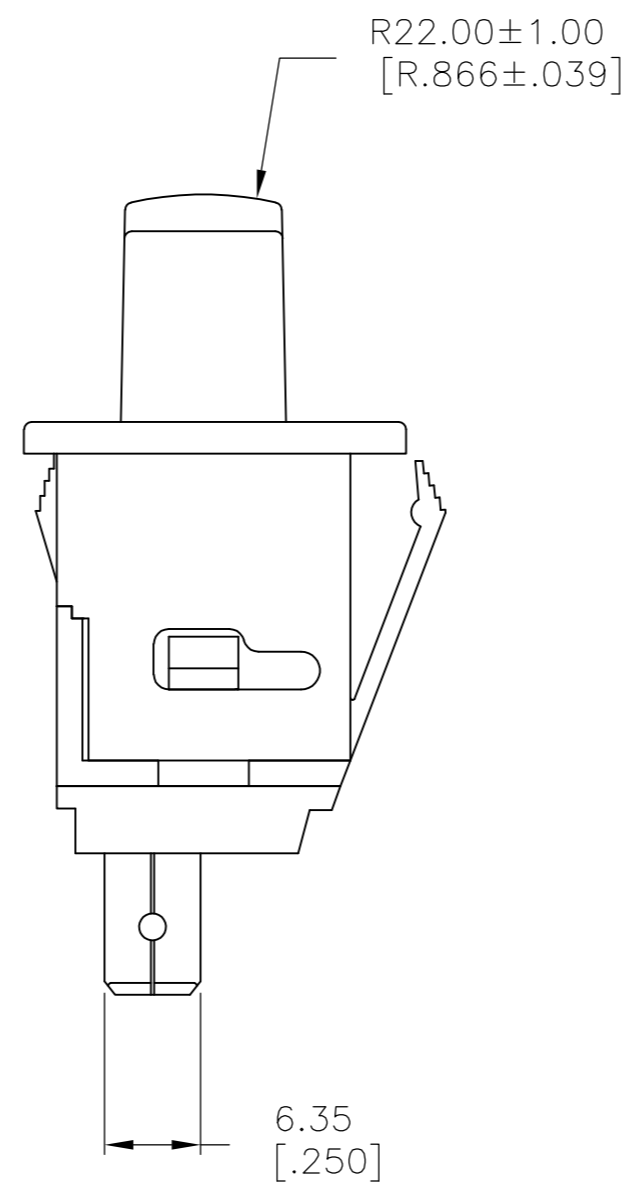
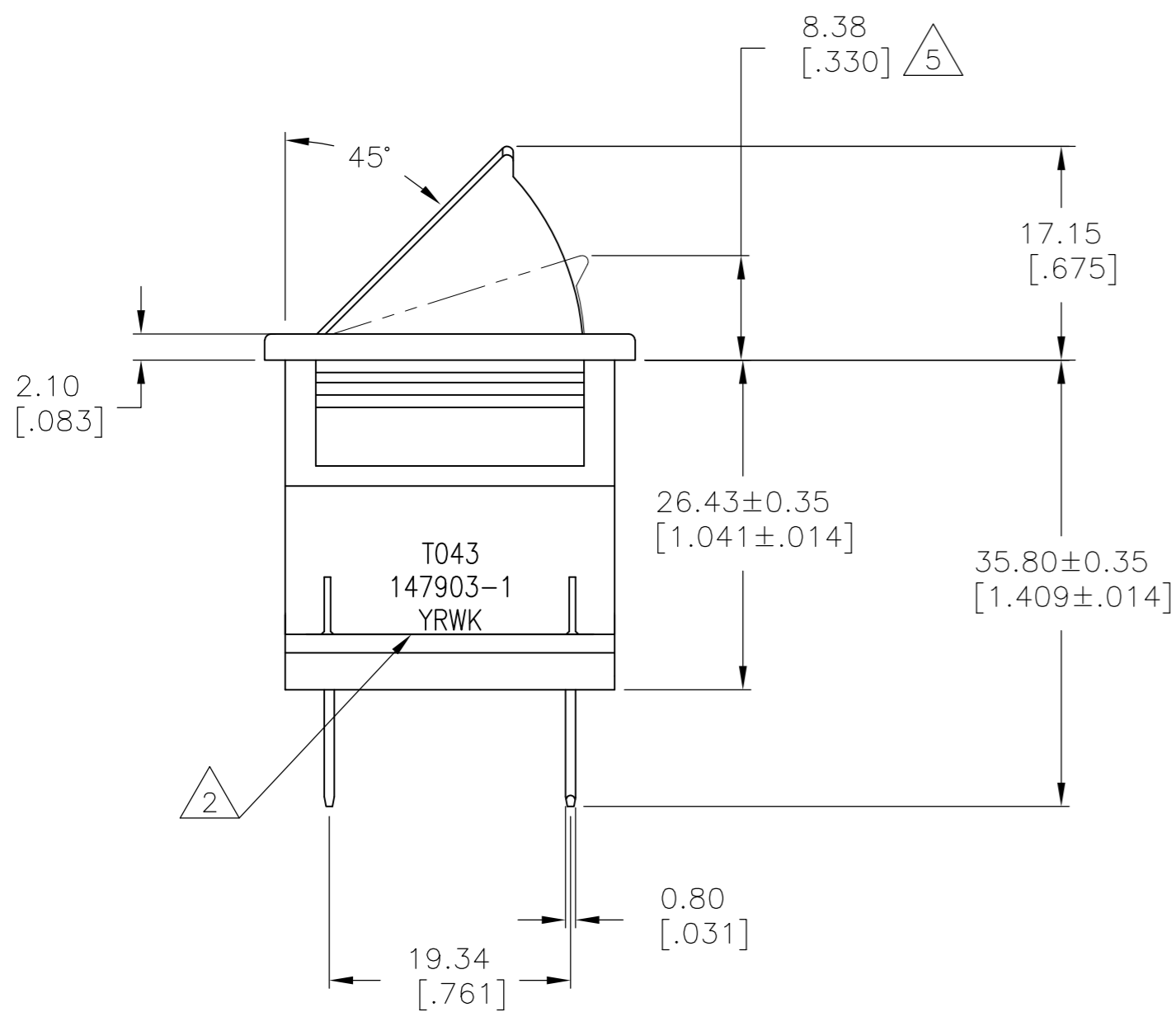
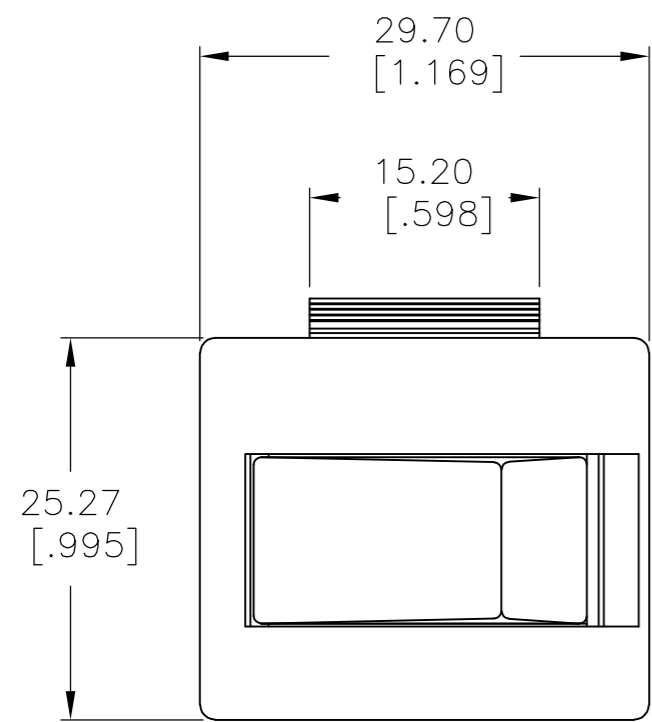
REVISIONS					
P	LTR	DESCRIPTION	DATE	DWN	APVD
B2		REVISED PER ECO-15-005980	21APR2015	NK	RH
B3		REVISED PER ECO-16-017354	03MAR2017	RK	AS

CIRCUIT DIAGRAM



N/O, PUSH ON

Rating	21A 125-250VAC 3/4 HP 125-250VAC
Contact R	50 mohm Max.
Insulation R	DC 500V, 100M ohm Min.
Dielectric Strength	AC 1500V, 1 minute
Operation Temperature	-20°C ~ +85°C



- 1 MATERIAL: HOUSING AND ACTUATOR: NYLON 6/6 BLACK,94V-2. PLUNGER: BRASS ALLOY PER ASTM B016. TERMINALS: BeCu ALLOY PER ASTM B196. CONTACTS: SILVER-TIN OXIDE.
- 2 INK STAMP AS SHOWN (TEXT HEIGHT 1.6±0.25MM): PART NUMBER & DATE CODE (YEAR & WEEK).
- 3 OPERATING FORCE 425 GRAM (15 OZ.) MAX.
- 4 ELECTRICAL RATINGS, APPROVED AGENCY LOGOS, COUNTRY OF ORIGIN, AND TE LOGO PER TEC-202-36 APPROXIMATELY AS SHOWN.
- 5 MINIMUM CONTACT ENGAGEMENT
- 6 COMPONENT RECOGNIZED TO US AND CANADIAN STANDARDS, UL FILE NO. E46765

OBSOLETE	NORMALLY CLOSED	147903-2
	NORMALLY OPEN	147903-1
	FUNCTION	PART NUMBER

THIS DRAWING IS A CONTROLLED DOCUMENT.		DWN M.BINNER 06JAN05		
DIMENSIONS: mm [INCHES]		CHK D.ROHDE 06JAN05		
TOLERANCES UNLESS OTHERWISE SPECIFIED:		APVD -	NAME	
0 PLC ± -	1 PLC ± -	PRODUCT SPEC -	NON-SNAP ACTION SWITCH	
2 PLC ± 0.10[.004]	3 PLC ± -	APPLICATION SPEC -	NORMALLY OPEN, 21A 125-250VAC	
4 PLC ± -	ANGLES ± 2°	WEIGHT -	SIZE A2	CAGE CODE 00779
MATERIAL	FINISH -	CUSTOMER DRAWING	DRAWING NO. C=147903	RESTRICTED TO -
1		SCALE 2:1	SHEET 1 of 1	REV B3

RECOMMENDED PANEL CUT-OUT